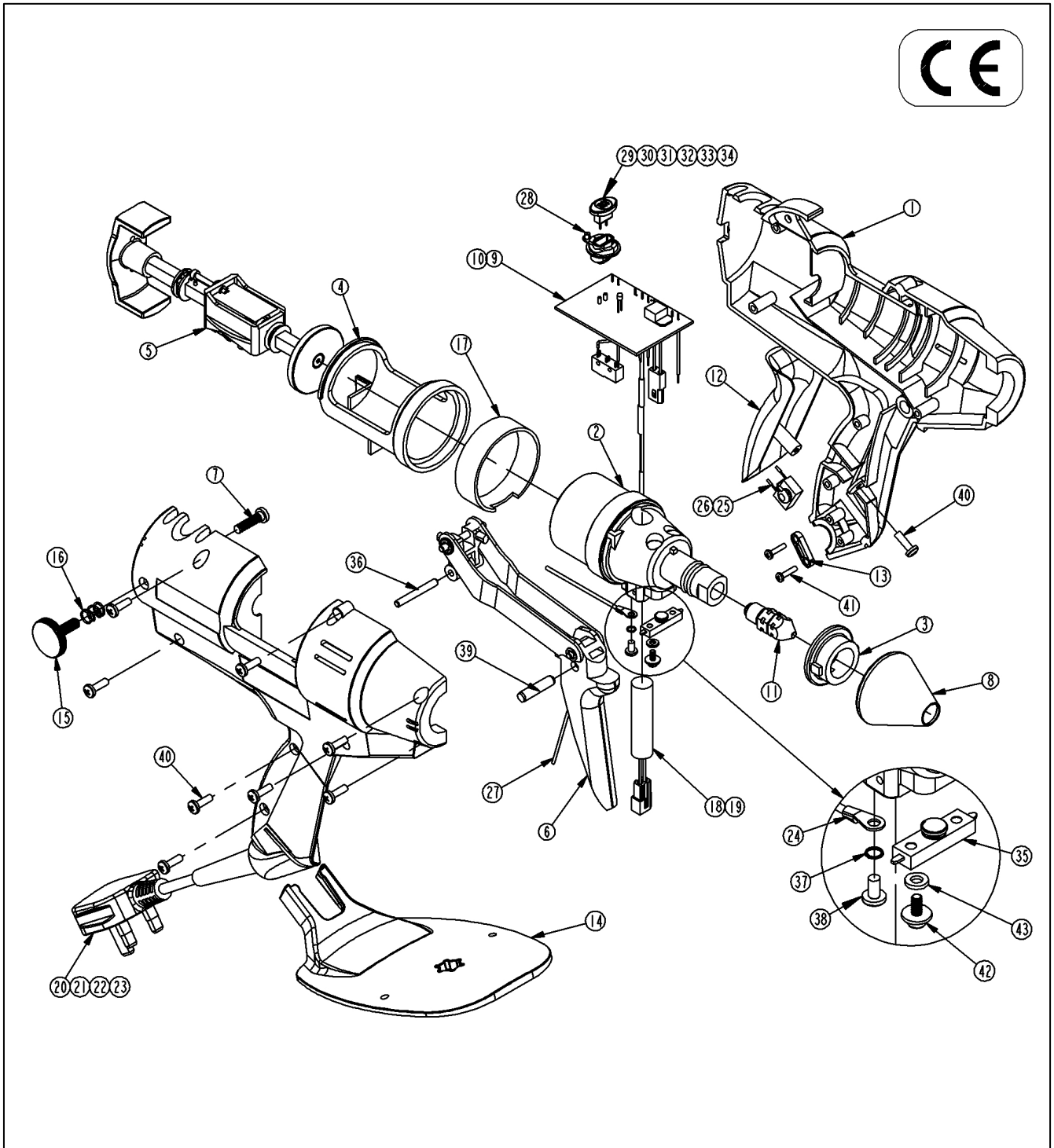


Typ Schmelzklebepistole 315 (Art.-Nr. 12500186)
 Type Hotmelt Applicator BeA 315



1	3200 Handles (Pair)	14502838
2	Heater Housing Assy Tec 3400	14513159
3	Heater Housing Spacer	14501548
4	Rear Barrel	14501542
5	Feed Bar/Mech Assy. - 3200	14513160
6	Feed Link/Trigger Assy.	14513161
7	Snubber Assy.	14509773
8	Nozzle Shroud	14501533
9	Temp Control Assy - 230V	14513162
10	Temp Control Assy - 120V	14513164
11	Nozzle Assy 3.5mm	14513163
12	Handle Grip	14513165
13	Cord Clamp	14513166
14	Heavy Duty 6000 Stand	14504745
15	Thumb Screw M6 - 20	14513167
16	Compression Spring	14513168
17	Barrel Support	14501543
18	Heater Assy. 230V	14502843
19	Heater Assy. 120V	14513169
20	UK Cordset Assy. 3 Core 3m	14504747
21	Euro Cordset Assy. 3 Core 3m	14505462
22	110v Cordset Assy 3 Core 3m	14513172
23	US Cordset Assy. 3 Core 3m	14513173
24	Earth Wire Assy.	14501677
25	Capacitor/VDR Assy. 240V	14513171
26	Capacitor/VDR Assy. 120V	14513150
27	Trigger Spring	14501587
28	Module Receptacle	14513151
29	Plug-In Module 195C	14513152
30	Plug-In Module Lowmelt	14513153
31	Plug-In Module 160C	14513154
32	Plug-In Module 180C	14513155
33	Plug-In Module 205C	14513156
34	Plug-In Module 215C	14513157
35	Thermal Fuse Assy 3400	14513158
36	Dowel Pin - 4 x 32 Lg.	14501575
37	Washer 4BA Spring	14503598
38	Screw 4BA x 1/4" Pozi Pan	14503597
39	Dowel Pin - 6 x 26 Lg.	14501576
40	Screw 4 x 12mm Plastite Pozi Pan	14501525
41	Screw #4 x 1/2"	14501438
42	Screw - M3 x 8 Lg Double Washer Sems	14513170
43	Washer M3	13300465