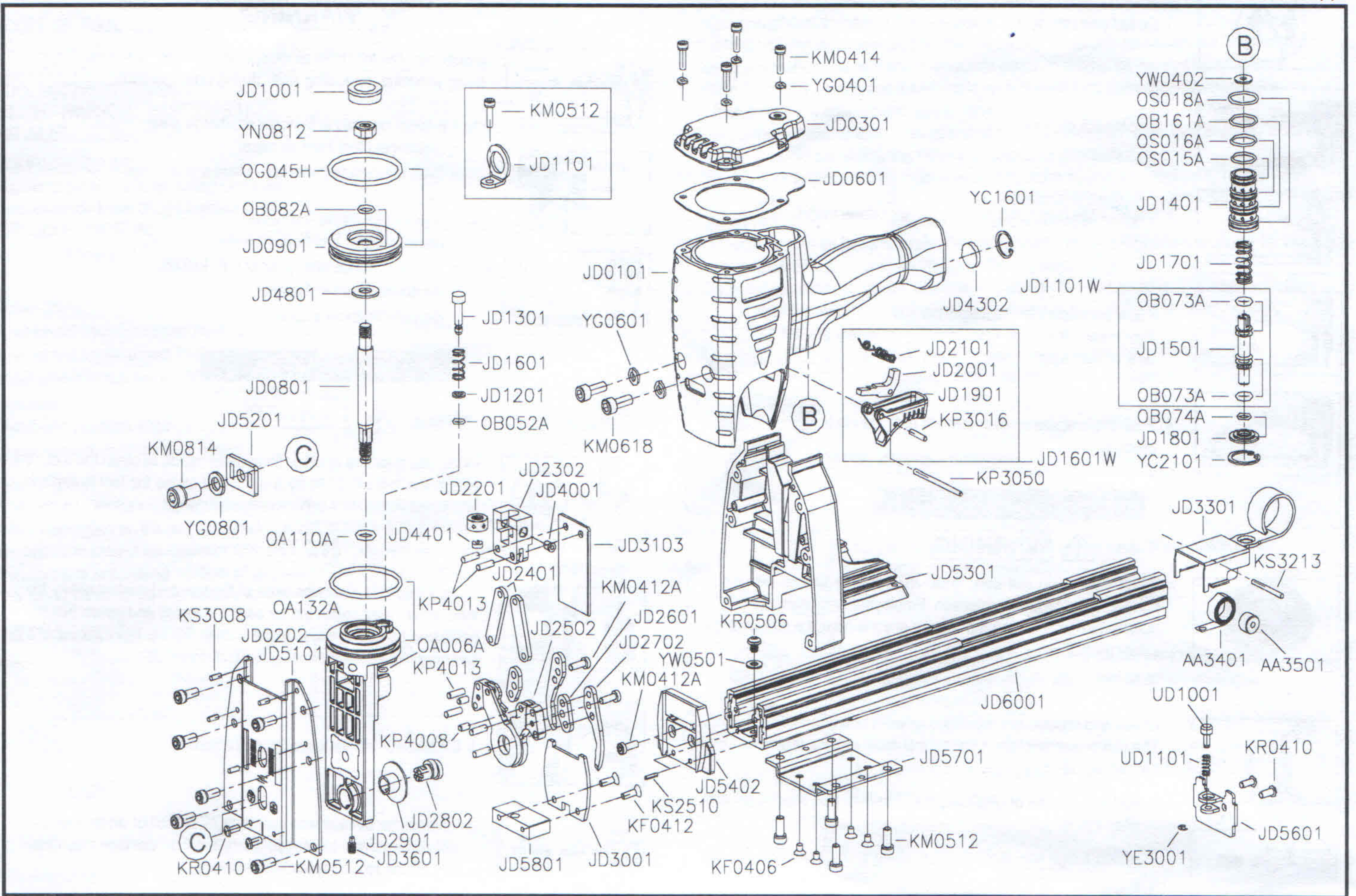


A3518SN07 (JD/18A-07)

A



Part_No	Description	Spec	Q'ty	Part_No	Description	Spec	Q'ty	Part_No	Description	Spec	Q'ty
AA3401	PUSHER SPRING		1	JD3001	COVER PLATE		1	KS3008	SPRING PIN	φ3-8L	4
AA3501	ROLLER		1	JD3103	DRIVER		1	KS3213	SPRING PIN	φ1/8"x1/2L	1
JD0101	BODY		1	JD3301	PUSHER		1	OA006A	O-RING	ARP568-006	1
JD0202	BODY(2)		1	JD3601	RETAINER SCREW		1	OA110A	O-RING	ARP568-110	1
JD0301	CYLINDER CAP		1	JD4001	FIXED PLATE SET		1	OA132A	O-RING	ARP568-132	1
JD0601	CAP SEAL		1	JD4302	MUFFLER		1	OB052A	O-RING	5×1.5	1
JD0801	PISTON ROD		1	JD4401	BUSHING		1	OB073A	O-RING	7×2.5	2
JD0901	MAIN PISTON		1	JD4801	FLAT WASHER		1	OB074A	O-RING	7×1.5	1
JD1001	BUMPER		1	JD5101	FRONT SECTION		1	OB082A	O-RING	φ8×1.5	1
JD1101	HANGER		1	JD5201	ADJUST SUPPORT		1	OB161A	O-RING	16×1.5	1
JD1101W	TRIGGER VALVE ASSY.		1	JD5301	REAR BODY		1	OG045H	O-RING	G45	1
JD1201	FLAT WASHER		1	JD5402	GUIDE PLATE		1	OS015A	O-RING	S-15	1
JD1301	STEM		1	JD5601	STOP PLATE		1	OS016A	O-RING	S-16	1
JD1401	TRIGGER VALVE SEAT		1	JD5701	CONNECT SET		1	OS018A	O-RING	S-18	1
JD1501	TRIGGER VALVE STEM		1	JD5801	DISTANCE SET		1	UD1001	STOP PIN		1
JD1601	COMPRESSION SPRING		1	JD6001	MAGAZINE SEAT		1	UD1101	COMPRESSION SPRING		1
JD1601W	TRIGGER ASSY.		1	KF0406	FLAT HD.BOLT	M4×0.7 - 6L	4	YC1601	C-RING	φ16	1
JD1701	COMPRESSION SPRING		1	KF0412	FLAT HD.BOLT	M4×0.7 - 12L	2	YC2101	C-RING	φ21	1
JD1801	TRIGGER VALVE GUIDE		1	KM0412A	HEX.SOC.HD.BOLT	M4×0.7 - 12L	4	YE3001	E-RING	φ3.0	1
JD1901	TRIGGER		1	KM0414	HEX.SOC.HD.BOLT	M4×0.7 - 14L	4	YG0401	SPRING WASHER	φ4	4
JD2001	CONTACT LEVER		1	KM0512	HEX.SOC.HD.BOLT	M5×0.8 - 12L	11	YG0601	SPRING WASHER	φ6	2
JD2101	SPRING		1	KM0618	HEX.SOC.HD.BOLT	M6×1.0 - 18L	2	YG0801	SPRING WASHER	φ8	1
JD2201	ADJUSTING WHEEL		1	KM0814	HEX.SOC.HD.BOLT	M8×1.25 - 14L	1	YN0812	HEX.NUT	M8×1.25	1
JD2302	ADJUSTABLE SEAT		1	KP3016	PARALLEL PIN	φ3×16L	1	YW0402	FLAT WASHER	φ4	1
JD2401	LINK		2	KP3050	PARALLEL PIN	φ3×50L	1	YW0501	FLAT WASHER	φ5	1
JD2502	ANVIL HOLDER		2	KP4008	PARALLEL PIN	φ4×8L	2				
JD2601	SPACER		2	KP4013	PARALLEL PIN	φ4×13L	6				
JD2702	ANVIL HOOK		2	KR0410	BUTTON HD.BOLT	M4×0.7 - 10L	4				
JD2802	PENETRATION ECCENTRIC		1	KR0506	BUTTON HD.BOLT	M5×0.8 - 06L	1				
JD2901	BUSHING		1	KS2510	SPRING PIN	φ2.5-10L	2				

☆☆ If you need to order parts, please mark both Parts No. and Description. ☆☆☆

2021/8/30