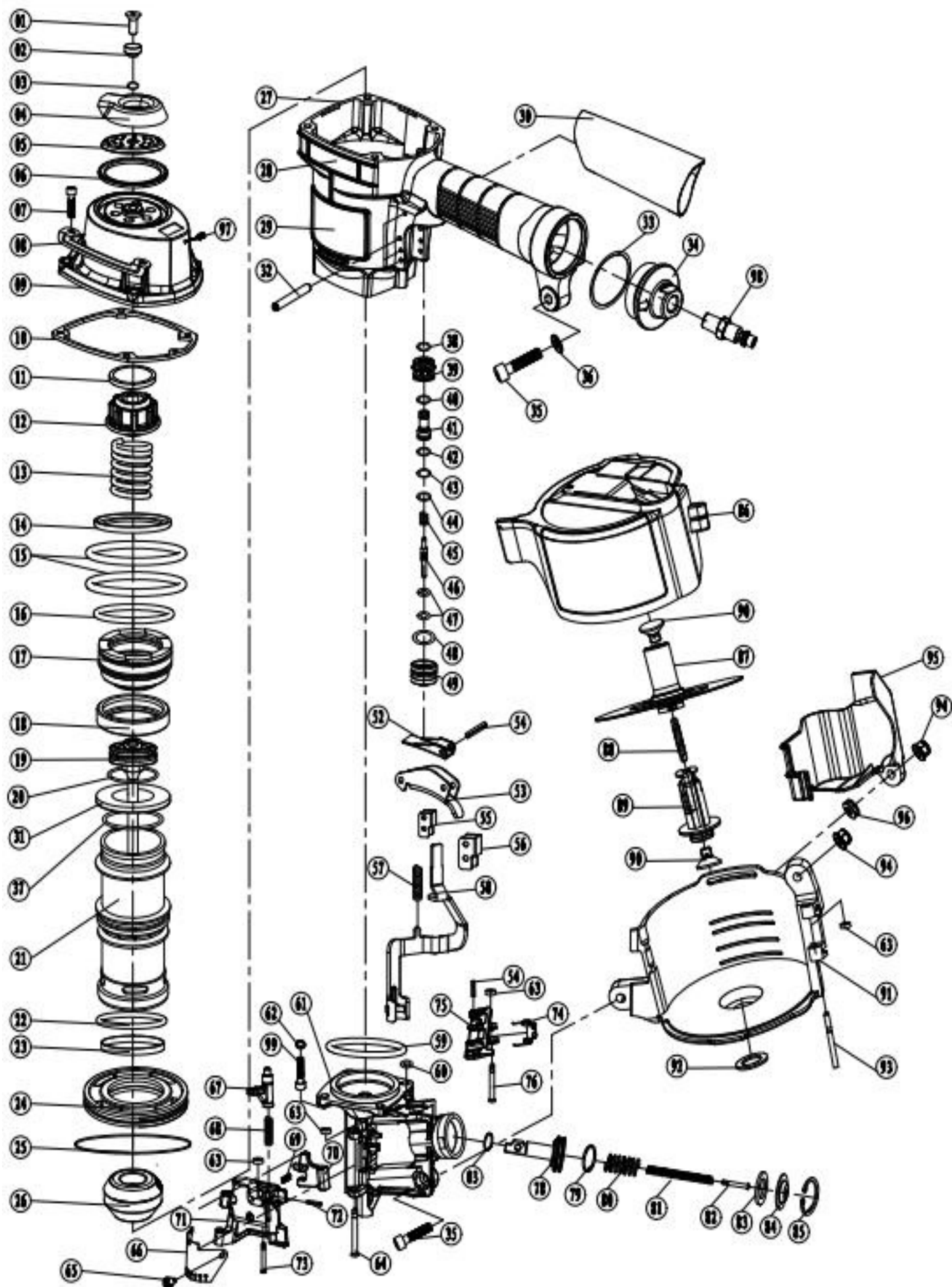


Деталировка и лист запасных частей FROSP CN-55



TIEM NO.	PART NAME	Qty	TIEM NO.	PART NAME	Qty
1	Hex bolt M8*20	1	48	O ring 20*1.8	1
2	Cylinder head bushing	1	49	Trigger seat	1
3	O ring 9.9*2.4	2	52	Hook stop lever	1
4	Exhaust cover	1	53	Trigger	1
5	Exhaust seal	1	54	Pin 3*16	2
6	Cylinder cover bumper	1	55	Iron skateboard frame	1
7	Hex bolt M6*25	4	56	Plastic skateboard frame	1
8	Gun body frame	2	57	Safety frame spring	1
9	Cylinder cover	1	58	Safety rack	1
10	Cylinder cover gasket	1	59	O ring 46*2	1
11	Spring seat washer	1	60	O ring 4.2*1.6	1
12	Spring seat	1	61	Nose	1
13	Spring	1	62	Spring washer	4
14	Lining ring	1	63	Pin sleeve	3
15	O ring 51*2.65	2	64	Active cover shaft pinlever	1
16	O ring 42.5*2.5	1	65	Rubber stopper	1
17	On-off valve	1	66	Gun head protective film	1
18	Cylinder seal	1	67	Trigger piece	1
19	Piston assembly	1	68	Trigger piece spring	1
20	O ring 37.5*3.55	1	69	Nail block spring	1
21	Cylinder	1	70	Nail claw	1
22	O ring 48.7*2.65	1	71	Cover plate	1
23	Sealing gasket	1	72	Pin 3*12	1
24	Collar	1	73	Nail stopper shaft pin	1
25	O ring 74.4*3.1	1	74	Send nail claw spring	1
26	Bumper	1	75	Send nail claw	1
27	Gun body	1	76	Piston pin	1
30	Rubber grip	1	78	Nail feed piston	1
31	Cylinder limit gasket	1	79	O ring 20.4*2.4	1
32	Spring pin 3*28	4	80	Send nail large spring	1
33	O ring 36.5*2.65	1	81	Send nail small spring	1
34	Air inlet end cap	1	82	Nail feed guide pin	1
35	Hex bolt M6*38	2	83	Nail send ring	1
36	Plain washer	1	84	Nail send spring seat	1
37	O ring 41*1.6	1	85	Retaining ring	1
38	O ring 14.5*1.8	1	86	Nail feed tray	1
39	Valve seat	1	87	Feed tray assembly	1
40	O ring 16*1.6	1	88	Extension spring	1
41	Valve sleeve	1	89	Nail length adjustment seat	1
42	O ring 6.1*1.8	1	90	Spring holder	2
43	O ring 6.4*2	1	91	Nail House	1
44	O ring 9*1.8	1	92	Adjust holder seal	1
45	Trigger spring	1	93	Receptacle barn shaft pin	1
46	Trigger lever	1	94	Hex bolt M6*38	2
47	O ring 2.4*1.6	2	95	Nail head protection cover	1
			96	cushion covers	1
			98	pipe joint	1