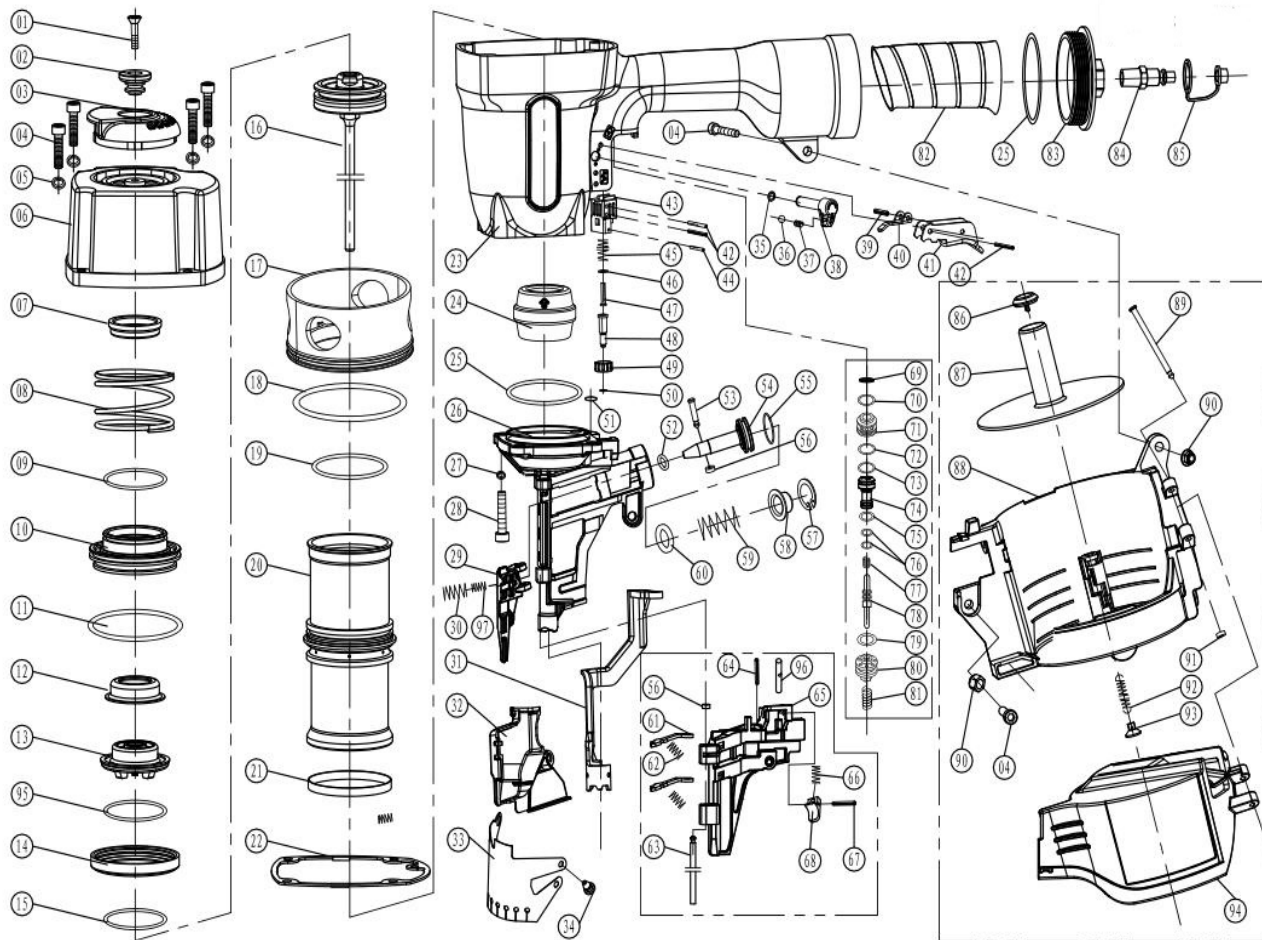


# Детализировка и лист запасных частей FROSP CN-90



TIEM NO.	PART NAME	Qty	TIEM NO.	PART NAME	Qty
1	Hex bolt M6*25	1	48	Adjusting screw	1
2	Bushing	1	49	Adjusting nut	1
3	Exhaust cover	1	50	Snap retainer 3	1
4	Hex bolt M6*35	6	51	O ring 7.2*1.9	1
5	Spring washer	4	52	O ring 9.9*2.4	1
6	Cylinder cap	1	53	Nail send claw pin	1
7	Washer	1	54	Nail send piston	1
8	Compressed spring	1	55	O ring 20.4*2.4	1
9	O ring 45*.65	1	56	Pin bushing	2
10	Swift valve	1	57	Retaining ring	1
12	Bumper bushing	1	58	Piston spring seat	1
13	Cylinder cap bumper	1	59	Nail send spring	1
14	Sealing washer	1	60	Piston bumper	1
15	O ring 57.6*4.5	1	61	Nail stopper	2
16	Piston assembly	1	62	Nail block spring	2
17	Collar	1	63	Shaft pin	1
18	O ring 88*3	1	64	Pin 3*35	1
20	Cylinder	1	65	Cover plate	1
21	Cylinder seal	1	66	Trigger piece spring	1
22	Cylinder head gasket	1	67	Pin 3*12	1
23	Gun body	1	68	Trigger piece	1
24	Bumper	1	69	O ring 15*2.65	1
25	O ring 63*2.65	2	70	O ring 16*1.6	1
26	Nose	1	71	Valve seat	1
27	Spring washer	4	72	O ring 6.1*1.8	1
28	Hex bolt M8*25	4	73	O ring 6.14*2	1
29	Nail send claw	1	74	Valve case	1
30	Nail send claw spring	1	75	O ring 9*1.8	1
31	Safety Yoke	1	76	O ring 2.4*1.6	2
32	Nose cap	1	77	Switch spring	1
33	Gun head protective fill	1	78	Switch lever	1
34	Rubber stopper	1	79	O ring 18*2.65	1
35	Snap retainer 5	1	80	Switch seat	1
36	Steel ball	1	81	Trigger piece spring	1
37	Compressed spring	1	82	Rubber grip	1
38	Adjusting stem	1	83	End cap	1
39	Pin 3*18	1	86	Spring cover	1
40	Safety yoke	1	87	Nail plate	1
41	Trigger	1	90	Hex bolt M6	2
42	Pin 3*32	3	91	Shaft	1
43	Adjusting seat	1	92	Spring	1
44	Pin 2.5*22	1	93	Hook seat	1
45	Safety frame spring	1	95	O ring 50*1.8	1
46	Gasket	1	96	Cover lock pin	1
47	Push lever	1	97	Nail send spring	1
			11, 19	O ring 50*3.55	2
			88, 89, 94	Nail house assembly	1