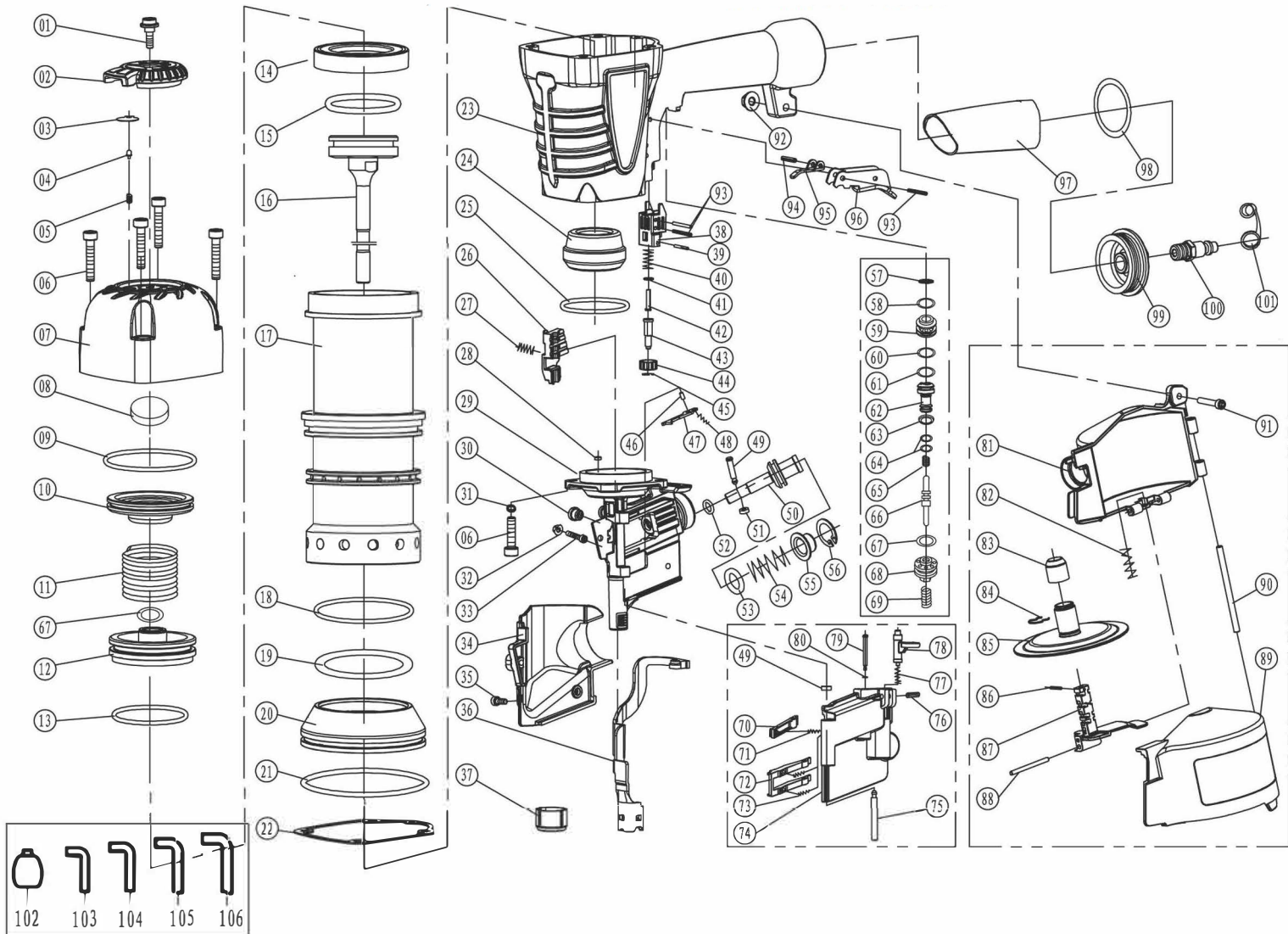


# Детализировка и лист запасных частей FROSP CN65



No.	Description	Qty.	No.	Description	Qty.	Description	Qty.	No.	Description	Qty.	
01	Bolt	1	28	Sealing Washer	1	55	Spring seat	1	82	Compressed spring	1
02	Air Deflector	1	29	Nailer head	1	56	Internal Circlip	1	83	Plate cover	1
03	Slice	1	30	Magnet Cover	1	57	Gasket	1	84	Spring	1
04	Pin	1	31	Spring Washer	4	58	O-ring 16x1.6	1	85	Nail plate	1
05	Spring	1	32	Nut M4	1	59	Valve seat	1	86	Pin2.5x12	1
06	Bolt M6x25	8	33	Bolt M4x16	1	60	O-ring 6.1x1.8	1	87	Adj. Seat	1
07	Cylinder Cover	1	34	Nailer Head Cover	1	61	O-ring 6.4x2	1	88	Pin 4x50	1
08	Sealing Washer	1	35	Bolt M5x12	1	62	Valve case	1	89	Magazine cover	1
09	O-ring 41.7x3	1	36	Safety yoke	1	63	O-ring 9x1.8	1	90	Pin 4x60	1
10	Exhaust baffle	1	37	Insurance mouth set	1	64	O-ring 2.5x1.5	2	91	Bolt M5x25	1
11	SpringCompressed	1	38	Adjusting Seat	1	65	Switch spring	1	92	Nut M5	1
12	Valve	1	39	Pin2.5x2	1	66	Switch level	1	93	Pin3x3●	3
13	O-ring 46.2x3.55	1	40	SpringCompressed	1	67	O-ring 18x2.65	2	94	Pin2.5x18	1
14	Cylinder sealing	1	41	Washer	1	68	Switch seat	1	95	Safety plate II	1
15	O-ring 38x3.5	1	42	Push Lever II	1	69	Compressed spring	1	96	Trigger II	1
16	Piston Assembly	1	43	Guide Srew	1	70	Block	1	97	Handle cover	1
17	Cylinder	1	44	Adj. Nut	1	71	Compressed spring	1	98	O-ring36.3x3.55	1
18	O-ring 51x2.65	1	45	Split washer 3	1	72	Block	1	99	End plate	1
19	O-ring 50x2.65	1	46	Pin2.5x10	1	73	Compressed spring	2	100	Air inlet plug	1
20	Shaft washer	1	47	Slice I	1	74	Mocable cover	1	101	Plug cap	1
21	O-ring 65.8x3	1	48	Slice Spring	1	75	Pin	1			
22	Gasket	1	49	end nail claw shaft pin	1	76	Pin3x1●	1	102	Oil pot	1
23	Gun body	1	50	Send nail piston	1	77	Compressed spring	1	103	Wrench M4/3MM	1
24	Bumper	1	51	Pin bush	2	78	Handle	1	104	Wrench M5/4MM	1
25	O-ring 46x2	1	52	O-ring 8.75x1.8	1	79	Pin	1	105	Wrench M6/5MM	1
26	Nail Puller	1	53	O-ring 17x2.65	1	80	O-ring 1.7x2	1	106	Wrench M8/6MM	1
27	Nail puller compressed Spring	1	54	Send nail spring	1	81	Magazine	1			