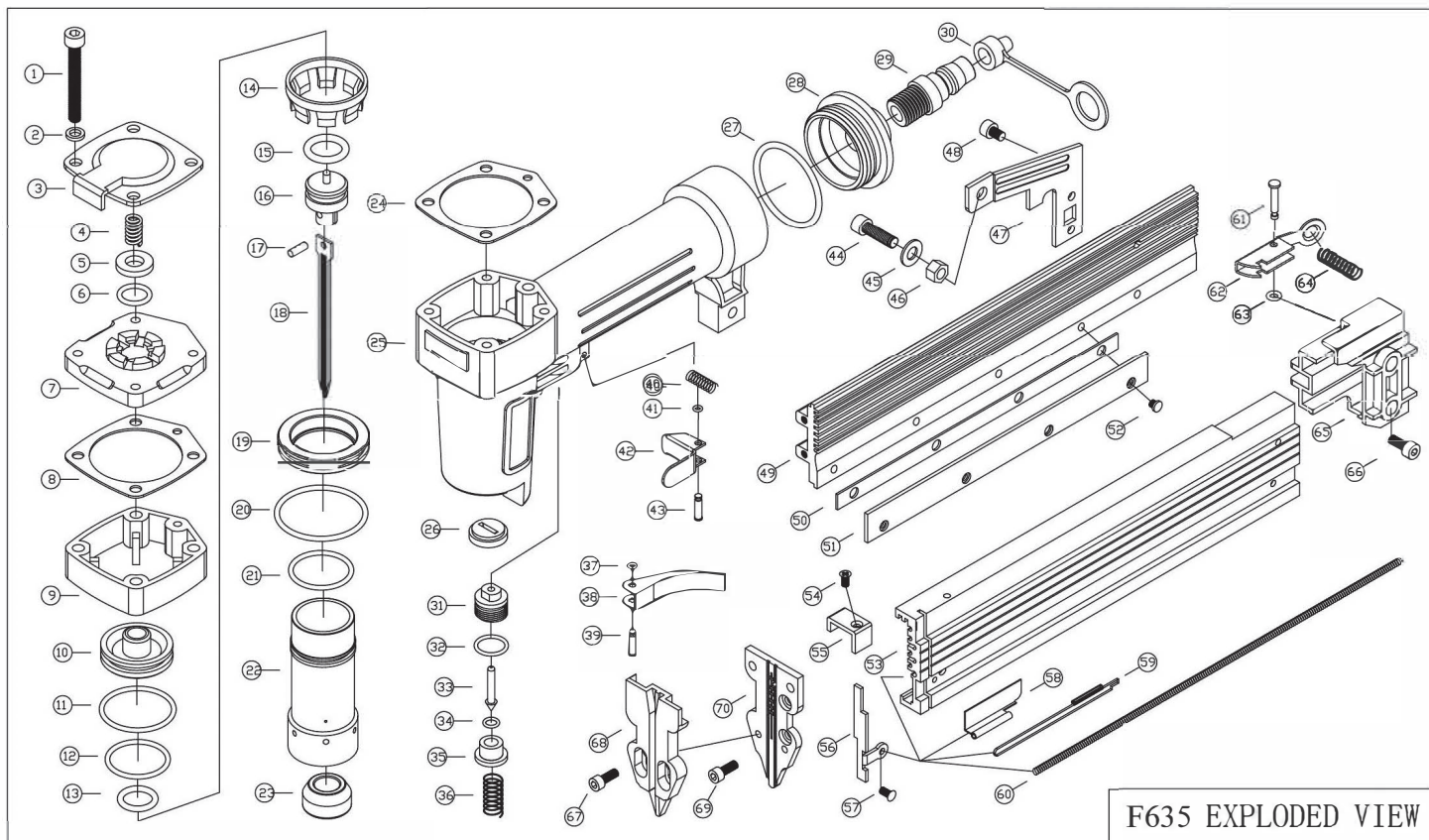


# Детализировка и лист запасных частей FROSP F635



### F635 GA23 PIN NAILER PARTS LIST

Inder No.	Description	Inder No.	Description	Inder No.	Description
1	HEX. SOC. HD. BOLT (M5x35)	25	BODY	49	MAGAZINE SEAT
2	WASHER	26	DRIVER SEAL	50	SPALER PLATE
3	EXHAUST CAP	27	O-RING	51	RAILING PLATE
4	COMPRESSION SPRING	28	TUBE	52	HEX. SOC. HD. BOLT SCREW (M3x6)
5	VALVE STOP	29	AIR PIUG	53	MAGAZINE CAP
6	O-RING	30	AIR PIUG SEAT	54	HEX. SOC. HD. BOLT (M4x6)
7	CYLINDER CAP	31	TRIGGER VALVE SEAT	55	MAGAZINE CAP STOP
8	CYLINDER CAP SEAL	32	O-RING	56	PUSHER STOP
9	MIDDLE CAP	33	TRIGGER VALVE STEM	57	HEX. SOC. HD. BOLT (M4x6)
10	HEAD VALVE	34	O-RING	58	PUSHER #1 CSJ
11	O-RING	35	TRIGGER VALVE GVIDE	59	PUSHER #2 CSJ
12	O-RING	36	TRIGGER SPRING	60	PUSHER SPRING
13	O-RING	37	E-RING	61	LATCH PIN
14	CYLINDER BUSHING	38	TRIGGER	62	LATCH
15	O-RING	39	PIN	63	O-RING
16	PISTION	40	SPRING #2	64	LATCH SPRING
17	SPRING PIN	41	E-RING #2	65	LATCH SUPPORT
18	DRIVER	42	TRIGGER #2	66	HEX. SOC. HD. BOLT (M4x8)
19	CYLINDER SAET	43	PIN	67	HEX. SOC. HD. BOLT (M4x12)
20	O-RING	44	HEX. SOC. HD. BOLT (M5x20)	68	COVER PLATE
21	O-RING	45	WASHER	69	HEX. SOC. HD. BOLT (M4x8)
22	CYLINDER	46	SCREW (M5)	70	GUIDE PLATE
23	BUMPER	47	SUPPORT	71	
24	CYLINDER CAP SEAL	48	HEX. SOC. HD. BOLT (M4x8)	72	