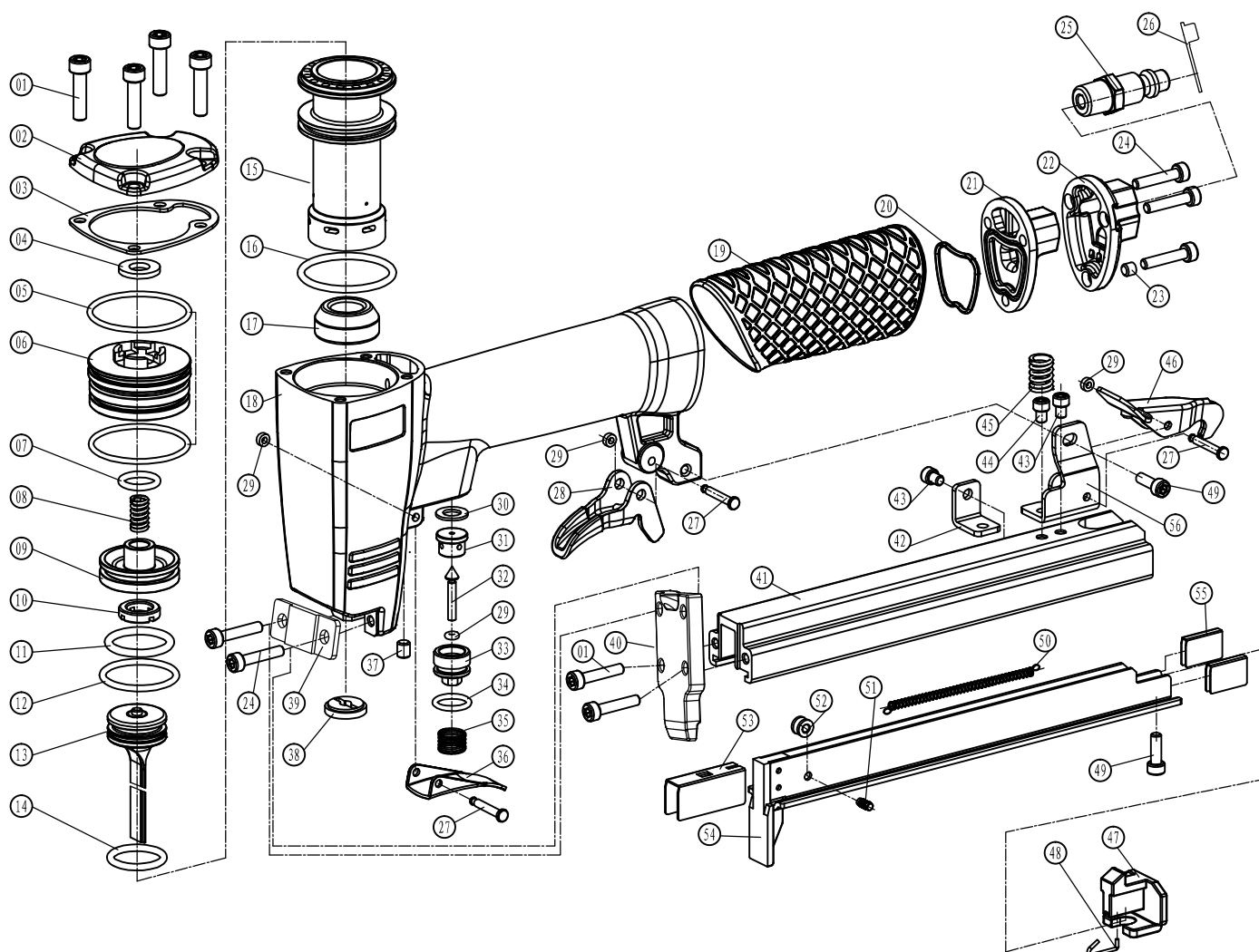


Скобозабивной пневмопистолет FROSP K-8016B



| No. | Code | Description | Qty. | No. | Code | Description | Qty. | No. | Code | Description | Qty. |
|-----|-----------------|-------------------|------|-----|--------------------|--------------------------|------|-----|-----------------|--------------------------|------|
| 01 | 03.04.05.013 | Bolt M4*16 | 4 | 20 | | O-ring 25.8*1.8 | 1 | 39 | 03.04.02.099 | Heel plate | 1 |
| 02 | 03.04.28.070-01 | Cylinder cover | 1 | 21 | 03.04.11.040-02 | End cap | 1 | 40 | 03.04.08.129 | Guide drive | 1 |
| 03 | 03.04.07.120 | Gasket | 1 | 22 | 03.04.21.036-01 | Exhaust cap | 1 | 41 | 03.04.14.130 | Fixed magazine | 1 |
| 04 | 03.04.19.197 | Rectangle washer | 1 | 23 | 03.04.19.181 | Gasket ring | 3 | 42 | 03.04.25.030 | Position piece | 1 |
| 05 | | O-ring 34.5*1.8 | 2 | 24 | 03.04.05.015 | Bolt M4*20 | 5 | 43 | 03.04.05.007 | Bolt M4*6 | 2 |
| 06 | 03.04.19.180 | Collar | 1 | 25 | | Air inlet plug | 1 | 44 | 03.04.05.078 | Bolt M4*5 | 1 |
| 07 | 03.04.01.068 | O-ring 11.7*2.4 | 1 | 26 | | Air inlet plug case | 1 | 45 | 03.04.36.056 | Compressed spring | 1 |
| 08 | 03.04.36.111 | Compressed spring | 1 | 27 | 03.04.31.068-02 | Position pin | 3 | 46 | 03.04.39.06.019 | Locating stem assembly | 1 |
| 09 | 03.04.20.048 | Balance valve | 1 | 28 | 03.04.39.06.041-01 | Trigger handle assembly | 2 | 47 | 03.04.17.024 | Fixed block | 1 |
| 10 | 03.04.07.095 | Bumper washer | 1 | 29 | 03.04.01.027 | O-ring 1.7*2 | 4 | 48 | 03.04.40.004 | Hook | 1 |
| 11 | 03.04.01.101 | O-ring 21*3 | 1 | 30 | 03.04.19.076 | Rectangle sealing washer | 1 | 49 | 03.04.05.011 | Bolt M4*12 | 1 |
| 12 | | O-ring 26.2*2.4 | 1 | 31 | 03.04.32.104 | Valve seat | 1 | 50 | 03.04.22.026 | Tension spring | 1 |
| 13 | 03.04.39.01.133 | Piston assembly | 1 | 32 | 03.04.15.092 | Valve pole | 1 | 51 | 03.04.31.030 | Pin | 1 |
| 14 | 03.04.01.089 | O-ring 17*2.65 | 1 | 33 | 03.04.29.010 | Valve bush | 1 | 52 | 03.04.35.066 | Wheel | 1 |
| 15 | 03.04.27.135 | Cylinder | 1 | 34 | 03.04.01.067 | O-ring 11.2*2 | 1 | 53 | 03.04.09.073 | Pusher | 1 |
| 16 | 03.04.01.129 | O-ring 32.5*2.65 | 1 | 35 | 03.04.36.005 | Compressed spring | 1 | 54 | 03.04.39.03.034 | Nail guide rack assembly | 1 |
| 17 | 03.04.06.030 | Bumper | 1 | 36 | 03.04.03.039-01 | Trigger | 1 | 55 | 03.04.25.087 | Clamp slice | 2 |
| 18 | 03.04.26.225 | Gun body | 1 | 37 | 03.04.05.072 | Bolt M5*6 | 1 | 56 | 03.04.12.206 | Fixed Seat | 1 |
| 19 | 03.04.29.090 | Grip | 1 | 38 | 03.04.07.121 | Guide gasket | 1 | 57 | 03.04.05.014 | Bolt M4*18 | 2 |