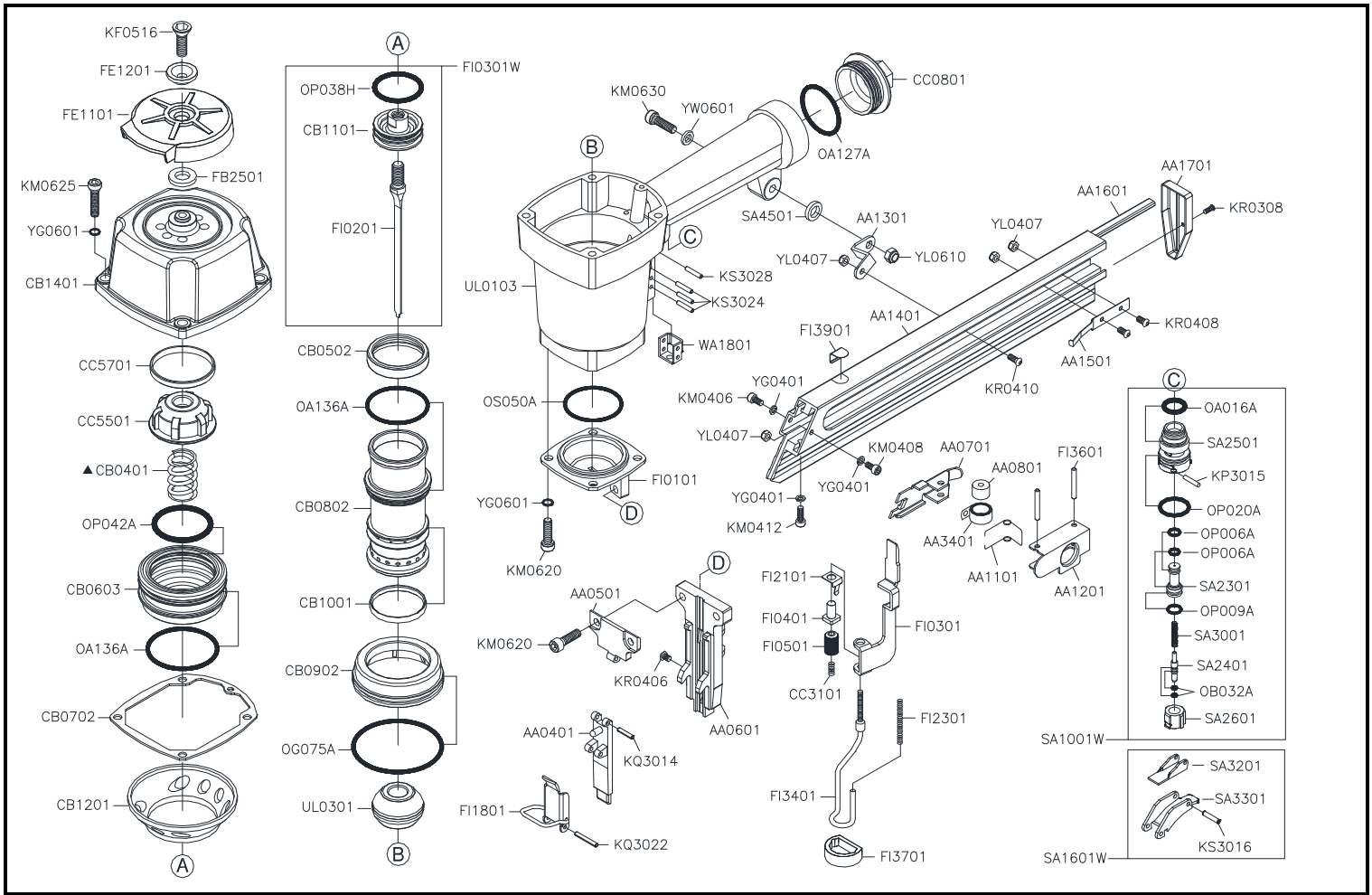


DA65AB03 (FI/S1-03)

G



Part_No	Description	Spec	Q'ty	Part_No	Description	Spec	Q'ty	Part_No	Description	Spec	Q'ty
AA0401	ADJUSTABLE PLATE(B)		1	FI0101	SIDE PLATE(L.H.)		1	OA016A	O-RING	ARP568-016	1
AA0501	ADJUSTABLE PLATE(A)		1	FI0201	DRIVER		1	OA127A	O-RING	ARP568-127	1
AA0601	GUIDE PLATE		1	FI0301	SAFETY		1	OA136A	O-RING	ARP568-136	2
AA0701	PUSHER		1	FI0301W	DRIVER ASSY.		1	OB032A	O-RING	2.5×1.4	2
AA0801	ROLLER		1	FI0401	SPACER		1	OG075A	O-RING	G75	1
AA1101	SPRING		1	FI0501	ADJUSTING WHEEL		1	OP006A	O-RING	P6	2
AA1201	SEAT		1	FI1801	SUPPORT SET ASSY.		1	OP009A	O-RING	P9	1
AA1301	SUPPORT		1	FI2101	PLATE		1	OP020A	O-RING	P20	1
AA1401	MAGAZINE SEAT		1	FI2301	COMPRESSION SPRING		1	OP038H	O-RING	37.7×3.5	1
AA1501	SPRING		1	FI3401	SAFETY CONTACT		1	OP042A	O-RING	P42	1
AA1601	NAIL GUIDE		1	FI3601	PUSHER PIN		2	OS050A	O-RING	S-50	1
AA1701	SEAT		1	FI3701	SAFETY CUSHION		1	SA1001W	RESTRICTIVE TRIGGER ASSY.		1
AA3401	PUSHER SPRING		1	FI3901	WEAR CLIP		1	SA1601W	TRIGGER ASSY.		1
▲ CB0401	COMPRESSION SPRING		1	KF0516	FLAT HD.BOLT	M5×0.8 - 16L	1	SA2301	PILOT VALVE		1
CB0502	CYLINDER RING		1	KM0406	HEX.SOC.HD.BOLT	M4×0.7 - 6L	1	SA2401	TRIGGER VALVE STEM		1
CB0603	HEAD VALVE PISTON		1	KM0408	HEX.SOC.HD.BOLT	M4×0.7 - 8L	1	SA2501	TRIGGER VALVE SEAT		1
CB0702	CAP SEAL		1	KM0412	HEX.SOC.HD.BOLT	M4×0.7 - 12L	1	SA2601	TRIGGER VALVE SEAT		1
CB0802	CYLINDER		1	KM0620	HEX.SOC.HD.BOLT	M6×1.0 - 20L	6	SA3001	COMPRESSION SPRING		1
CB0902	CYLINDER RING		1	KM0625	HEX.SOC.HD.BOLT	M6×1.0 - 25L	4	SA3201	CONTACT LEVER		1
CB1001	CHECK SEAL		1	KM0630	HEX.SOC.HD.BOLT	M6×1.0 - 30L	1	SA3301	TRIGGER		1
CB1101	MAIN PISTON		1	KP3015	PARALLEL PIN	φ3×15L	2	SA4501	SPACER		1
CB1201	COLLAR		1	KQ3014	SPRING PIN	φ3×14L	1	UL0103	BODY		1
CB1401	CYLINDER CAP		1	KQ3022	SPRING PIN	φ3×22L	1	UL0301	BUMPER		1
CC0801	END CAP		1	KR0308	BUTTON HD.BOLT	M3×0.5 - 8L	1	WA1801	SAFETY GUIDE		1
CC3101	COMPRESSION SPRING		1	KR0406	BUTTON HD.BOLT	M4×0.7 - 6L	1	YG0401	SPRING WASHER	φ4	3
CC5501	PISTON STOP		1	KR0408	BUTTON HD.BOLT	M4×0.7 - 8L	2	YG0601	SPRING WASHER	φ6	8
CC5701	SPACER		1	KR0410	BUTTON HD.BOLT	M4×0.7 - 10L	1	YL0407	LOCK NUT	M4×0.7	4
FB2501	PISTON STOP		1	KS3016	SPRING PIN	φ3-16L	1	YL0610	LOCK NUT	M6×1.0	1
FE1101	EXHAUST CAP		1	KS3024	SPRING PIN	φ3-24L	3	YW0601	FLAT WASHER	φ6	1
FE1201	EXHAUST CAP RING		1	KS3028	SPRING PIN	φ3-28L	1				

★☆☆ If you need to order parts, please mark both Parts No. and Description. ★☆☆