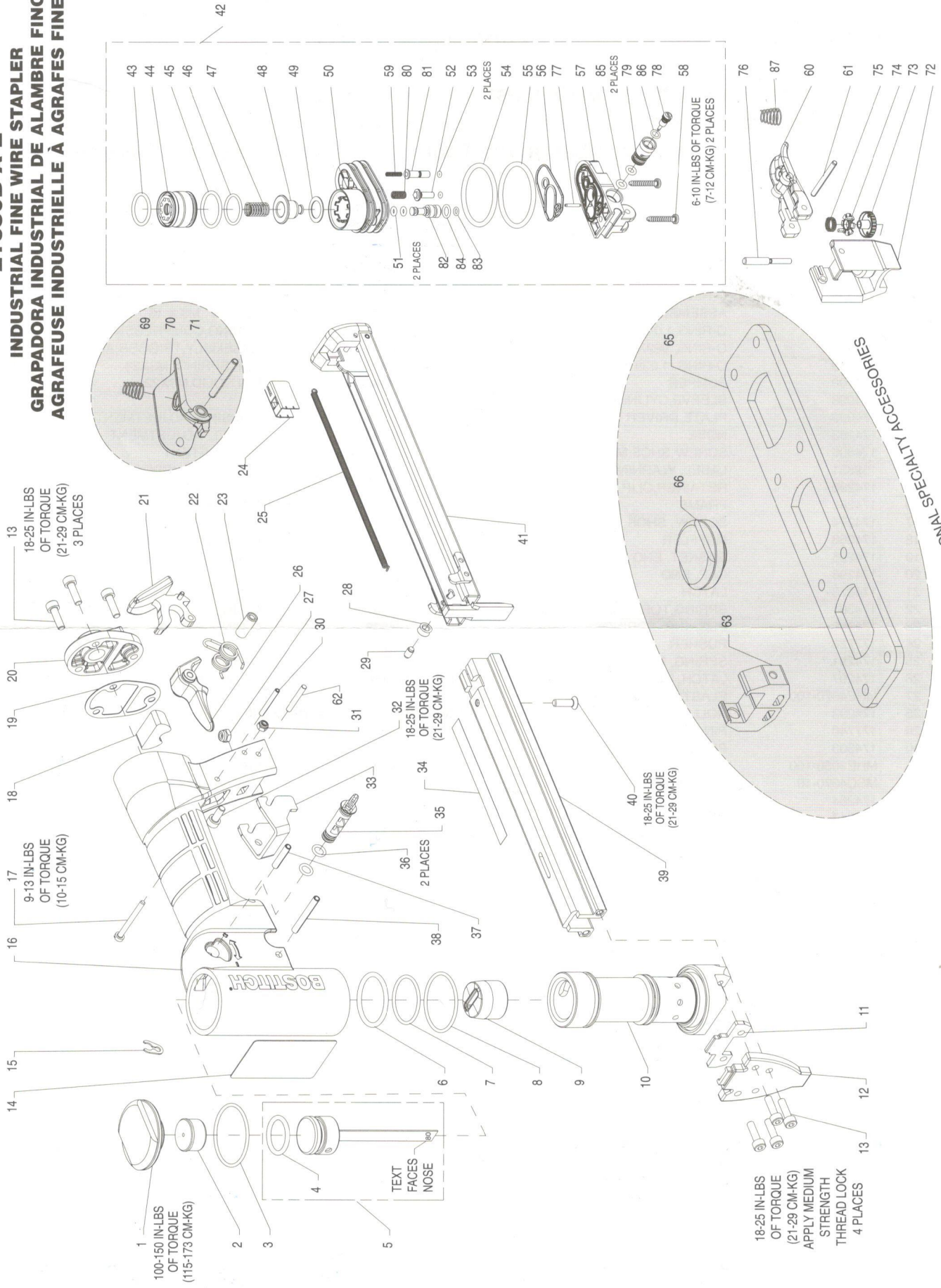


21680B-A-E
INDUSTRIAL FINE WIRE STAPLER
GRAPADORA INDUSTRIAL DE ALAMBRE FINO
AGRAFEUSE INDUSTRIELLE À AGRAFES FINES



IP1270-1REVA 04/07
 TO BE USED WITH PARTS LIST IP1270-2 AND OPERATION AND MAINTENANCE MANUAL FT70936.

BOSTITCH

21680B-A-E		Parts List:		IP1270-2REVA	
To be Used with tool parts illustration:					
				IP1270-1REVA	
and operation and maintenance manual:					
				FT70936	
Serial Number on the Tool:					
				21680B-A-E XXXXXXXX and Higher	
ITEM	PART #	DESCRIPTION	ITEM	PART #	DESCRIPTION
1	174288	CAP	54	108467	O'RING,1.237 X .103
2	174289	BUMPER, PISTON STOP	55	100817	O'RING, 1.299 X .103
3	100353	O'RING, 1.301 X .070	56	174284	SEAL, VALVE
4	174308	O-RING,.701X.075	57	174341	HOUSING, TRIGGER,AF
5	177715	ASSEMBLY,DRIVER/PISTON	58	174285	SCREW, M3 X 16
6	174309	O-RING,1.049X.103	59	174333	SPRING,COMPRESSION
7	174310	O-RING,.989X.070	60	174343	ASSEMBLY,TRIGGER,AF
8	851349	O-RING, 1.239 X .070	61	174345	PIN, SPRING, M3X28
9	174100	BUMPER	62	174326	PIN,SOLID,M3X22
10	174098	SLEEVE,CYLINDER			
11	174099	PLATE,DRIVER GUIDE	72	174344	HOUSING, ADJUSTMENT
12	174263	NOSE	73	174346	WHEEL, ADJUSTMENT
13	174306	SCREW,SHCS,M4X0.7X14	74	174347	RING, DETENT
14	159831	LABEL, WARNING	75	174348	SPRING,COMPRESSION
15	174290	RETAINER,CLIP	76	174349	ROD, ADJUSTMENT
16	174265	FRAME	77	102196	PIN, SPRING, 1.5X10MM
17	174274	SCREW, SHCS, M3X0.5X32	78	174314	VALVE,NEEDLE
18	174266	MUFFLER	79	174315	HOUSING, NEEDLE VALVE
19	174295	GASKET, END CAP	80	174334	SPRING,COMPRESSION
20	174296	CAP, END	81	174335	STEM
21	174273	LATCH	82	174336	SHUTTLE
22	174301	SPRING,TORSION	83	174337	O-RING,.118X.039
23	174302	BUSHING, SPRING	84	174338	O-RING,.209X.051
24	177723	PUSHER	85	174339	O-RING, .138X.059
25	174291	SPRING, EXTENSION	86	174340	O-RING, .157 X .039
26	174297	LATCH, INSIDE	87	174350	SPRING,COMPRESSION
27	MHE4070-100	ELASTIC STOP NUT, M4			
28	174293	ROLLER	ACCESSORIES (SOLD SEPARATELY)		
29	177740	PIN, ROLLER	63	174267	ASSEMBLY, SKIRT GAUGE
30	174303	PIN,COILED,M3X22			
31	MHE3050-100	NUT, NYLON , M3 x 0.5	65	174322	WRENCH
32	MSC4070-10	SCREW, SHCS, M4X0.70X10	66	174323	CAP, HEAVY
33	174264	STOP PLATE			
34	174317	LABEL, 21680B	69	174300	SPRING, COMPRESSION, CONICAL
35	174287	VALVE, ENERGY CONTROL	70	174299	TRIGGER, SECOND
36	174311	O-RING,.217X.059	71	177685	PIN, SPRING, 4X32MM
37	174304	PIN,COILED,M4X18			
38	174305	PIN,COILED,M4X30			
39	177729	MAGAZINE			
40	174307	SCREW,SFHCS,M4X0.7X14			
41	177707	ASSEMBLY, SLIDING MAGAZINE			
42	TVA13AF	ASSEMBLY,TRIGGER VALVE,AUTO			
43	86459	O-RING, .614 X .070			
44	174278	HEAD VALVE			
45	174312	O-RING,.700X.072			
46	102163	O-RING, .591 X .059			
47	174280	SPRING,COMPRESSION			
48	174279	SEAL, EXHAUST			
49	174281	WASHER,SPECIAL			
50	174331	HOUSING, HEAD VALVE-AF			
51	174332	O-RING, .098 X .059			
52	174283	STEM			
53	174313	O-RING,.042X.050			