

Tool model
Tool Status

DA1564K-E
active

BOSTITCH®

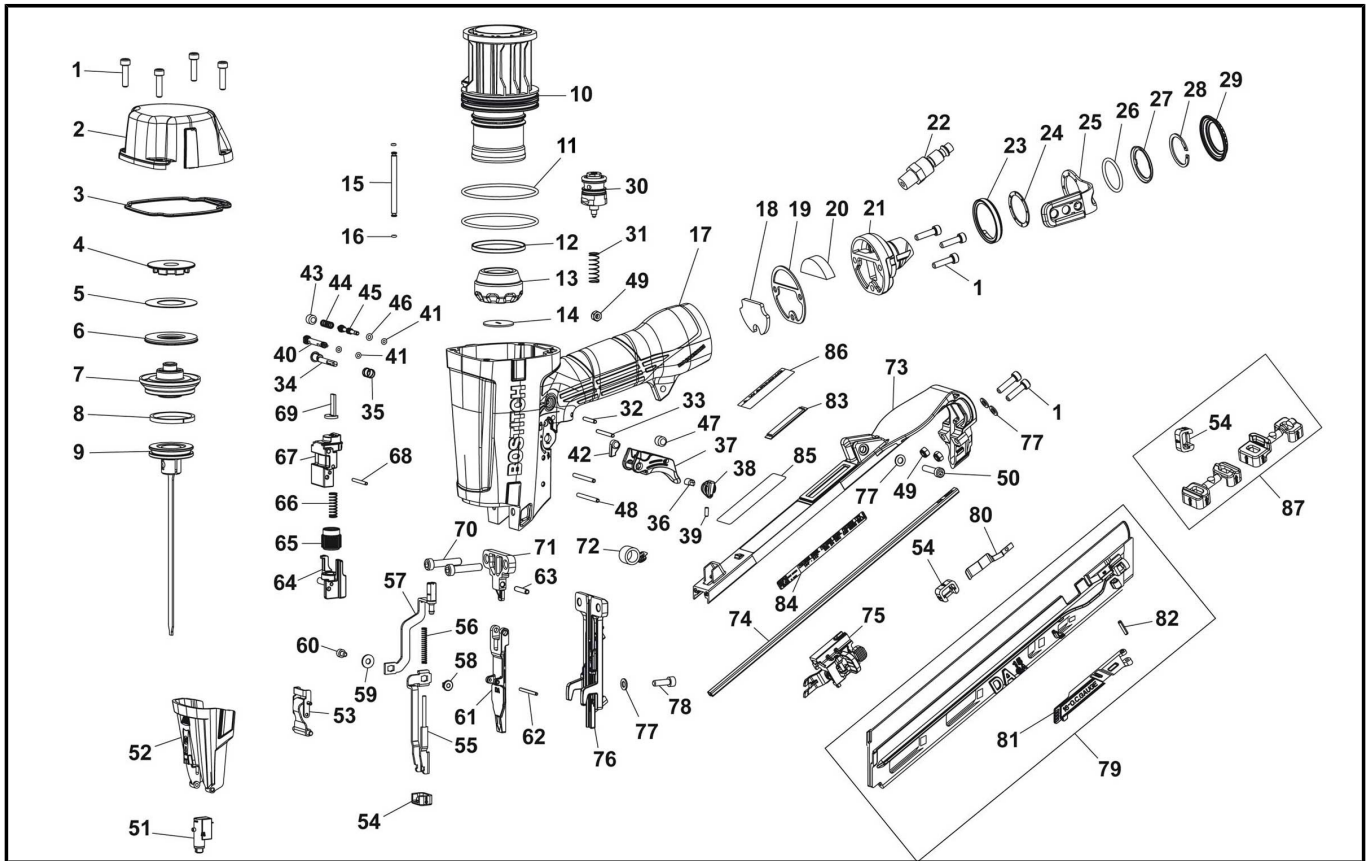


Chart Ref	Spare part code	Description	Status	Previous Part Code 1	Previous Part Code 2
1	MSC5080-20	SCREW,SOC HD. CAP M5 X 20	fut disc		
2	9R192032	CAP	active		
3	9R192038	SEAL	active		
4	9R188810	END CAP	active		
5	9R188852	VALVE	active		
6	9R188849	SEAL	active		
7	9R188859	VALVE	active		
8	9R188846	PISTON RING	active		
9	9R192042	DRIVER SA	active		
10	9R192035	CYLINDER	active		
11	9R188836	O RING	active		
12	9R188835	SEAL	active		
13	9R188807	BUMPER	active		
14	9R188847	GUIDE	active		
15	9R192036	TUBE OUTLET	active		
16	166797	O-RING,,056X.060 NBR	active		
17	9R192029	HOUSING	active		
18	9R192040	FILTER	active		
19	9R192039	GASKET	active		
20	9R192044	MUFFLER	active		
21	9R192034	END CAP	active		
22	159985	KIT,AIR FITTING	fut disc		
23	9R188829	HOUSING	active		
24	9R188830	PLATE	active		
25	9R188815	HOOK	active		

Chart Ref	Spare part code	Description	Status	Previous Part Code 1	Previous Part Code 2
26	174309	O-RING,1.049X.103	active		
27	9R188812	CAP	active		
28	9R188811	CIRCLIP	active		
29	9R188828	COVER	active		
30	TVA15	ASSEMBLY, TRIGGER VALVE	active		
31	180476	SPRING, TRIGGER	active		
32	180475	PIN, SPRING, M3X20 MM	active		
33	174345	PIN, SPRING, M3X28	active		
34	184507	PIN, MODE SWITCH	active		
35	9R188850	SPRING	active		
36	184508	BUSHING, TRIGGER	active		
37	184513	ASSEMBLY, TRIGGER	active		
38	184506	BUTTON, MODE SWITCH	active		
39	180484	SCREW, SET, M3X8 MM	active		
40	184519	PIN, TRIGGER LOCK	active		
41	MRG002514	O-RING,.098 x .055	active		
42	9R188822	BUTTON LOCK-ON	active		
43	9R188837	SCREW	active		
44	9R188832	SPRING	active		
45	9R188823	ROD	active		
46	9R188768	O RING	active		
47	9R188824	BUTTON	active		
48	9R188769	PIN	active		
49	MHE5080-100	NUT,NYLON M5X.80	active		
50	MSC5080-25	SCREW,SHCS,M5X0.80X25	active		
51	9R188861	WASHER SA	active		
52	9R192037	COVERPLATE	active		
53	9R188794	PLATE SA	active		
54	9R188782	FOOT	active		
55	9R188774	ARM	active		
56	9R188787	SPRING	active		
57	9R192025	TRIP SA	active		
58	180311	FIXED NUT	active		
59	121294	WASHER, PWR M4	active		
60	9R188770	SCREW	active		
61	9R192014	DOOR	active		
62	180552	PIN,SPRING M2.5X30mm	active		
63	103858	PIN,SPRING,4X20MM	active		
64	9R192047	GUIDE	active		
65	9R192048	KNOB	active		
66	9R188767	SPRING	active		
67	9R188761	GUIDE	active		
68	9R188848	PIN	active		
69	9R188760	ARM	active		
70	MSC6100-30	SCREW,SHCS,M6X1.00X30	active		
71	9R192022	PLATE	active		
72	9R188831	SPRING	active		
73	9R192012	MAGAZINE	active		
74	9R192015	LINER	active		
75	9R192019	PUSH BLOCK	active		

Chart Ref	Spare part code	Description	Status	Previous Part Code 1	Previous Part Code 2
76	9R192010	NOSE	active		
77	180569	WASHER, PLAIN, D5X10X1	active		
78	9R188771	SCREW	active		
79	9R192043	MAGAZINE	active		
80	9R188801	STOP	active		
81	9R192021	FLAP	active		
82	9R192046	PIN	active		
83	120927	LABEL,SENSOR SMALL (DR)	disc		
84	9R192869	LABEL	active		
85	180296	LABEL	active		
86	180582	LABEL	active		
87	9R188863	TIP	active		