

Tool model
Tool Status

DS-3219-E
active

BOSTITCH®

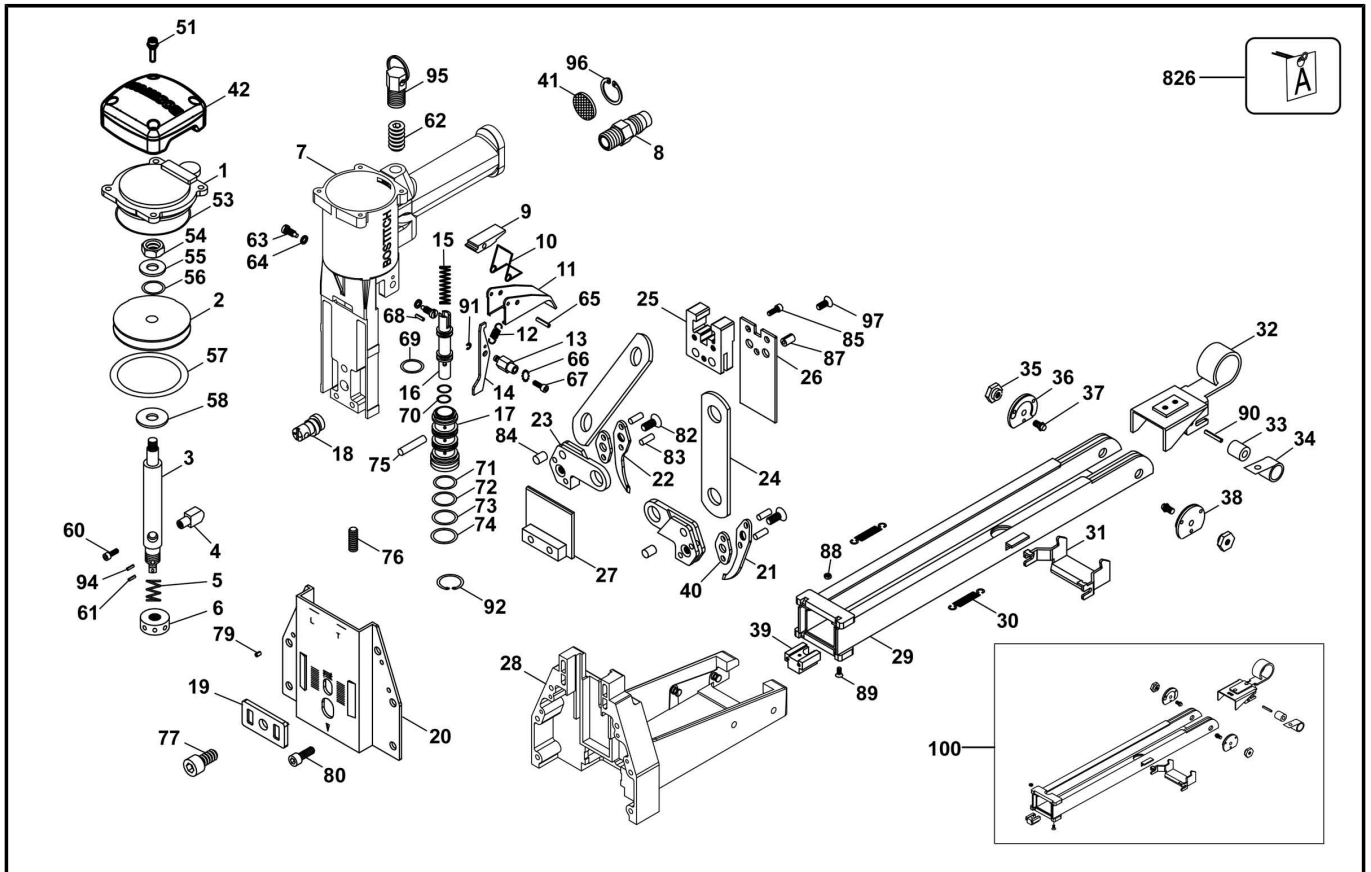


Chart Ref	Spare part code	Description	Status	Previous Part Code 1	Previous Part Code 2
1	A01200110	CYLINDER HEAD	active		
2	A02800201	PISTON	active		
3	A02800301	ROD,PISTON	active		
4	A00100401	CAM PIN	active		
5	A00100501	SPRING	active		
6	A00100601	NUT,ADJ.	active		
7	ADCS-P31	HOUSING	active		
8	A00100802	AIR PLUG	disc		
9	A00100902	ROCKER	active		
10	A00101001	SPRING	active		
11	A00101101	TRIGGER	active		
12	A00101201	SPRING	active		
13	A00101301	PIN,ADJ.	active		
14	A00101402	LEVER,CYCLE	active		
15	A00101501	SPRING	active		
16	A00101601	VALVE STEM	active		
17	A00101702	VALVE BODY	active		
18	A00101801	PIN,PIVOT	active		
19	A00101901	PLATE,ADJ.	active		
20	A01102501	BRACKET,FRONT	active		
21	A00102102	HOOK RIGHT	active		
22	A00102202	HOOK LEFT	active		
23	A00102301	CLINCHER LEVER	active		
24	A00102401	LINK	active		

Chart Ref	Spare part code	Description	Status	Previous Part Code 1	Previous Part Code 2
25	A00102502	BLOCK	active		
26	A01201706	DRIVER	active		
27	A00102703A	COVER	active		
28	A02100405A	SEAT - FOR USE UP TO SERIAL NO. SN1230006 (for models DS-3219-E, MS3219-E), SN13016031 (for models DS-3519-E, DS-3522-E, MS-3519-E, MS-3522-E) and SN13050202 (for models DS-SW19-E, DS-SW22-E, MS-SW19-E, MS-SW22-E)	active		
28	A02100407A	SEAT - FOR USE FROM SERIAL NO. SN1230006 (for models DS-3219-E, MS3219-E), SN13016031 (for models DS-3519-E, DS-3522-E, MS-3519-E, MS-3522-E) and SN13050202 (for models DS-SW19-E, DS-SW22-E, MS-SW19-E, MS-SW22-E)	active		
29	HAA-19-32-P7-SD	MAGAZINE FOR USE FROM SERIAL NO. SN12320006	active		
29	C0213002	REPAIR KIT. FOR USE UP TO SERIAL NO. SN12320006	active		
30	A01102403	SPRING TORSION	active		
31	A01102201	BRACKET	active		
32	A00103710A	PUSHER	active		
33	A00103501	ROLLER	active		
34	A00103401	SPRING	active		
35	A00607101	NUT	active		
36	A00103903A	GUIDE	active		
37	A00103203	ROD	active		
38	A00103904A	GUIDE	active		
39	A00105601	BRACKET	active		
40	A00105001	WASHER	active		
41	BA11401	SILENCER	active		
42	A07600801	COVER	active		
51	A07600901	BOLT	active		
53	BAB017537	O-RING	active		
54	BAD02061	HEX.NUT	active		
55	BAE06094	WASHER	active		
56	BAB017076	O-RING	active		
57	BAB057476	O-RING	active		
58	A00104101	WASHER	active		
60	BAC0604102	BOLT	active		
61	BAA025014	SPRING PIN	active		
62	BAC0312122	HEX.SOC.HDLESS BOLT	active		
63	A00104401	SCREW,TRIGGER	active		
64	BAE01042	SPRING WASHER	active		
65	BAA030020	PIN,SPRING	active		
66	BAE02042	WASHER,LOCK TOOTH	active		
67	BAC0404102	SCREW,HEX.SOC.HD.	active		
68	BAA030010	SPRING PIN	active		
69	BAB017124	O-RING	active		
70	BAB017076	O-RING	active		
71	BAB016145	O-RING	active		
72	BAB016150	O-RING	active		
73	BAB016155	O-RING	active		
74	BAB016160	O-RING	active		
75	A00104701	ROD	active		
76	BAC0306142	HEX.SOC.HDLESS BOLT	active		
77	BAC0608162	HEX.HD.SPRING	active		
79	BAA030010	SPRING PIN	active		

Chart Ref	Spare part code	Description	Status	Previous Part Code 1	Previous Part Code 2
80	BAC0605142	SCREW,HEX.SOC.HD.	active		
82	A00106201	SCREW	active		
83	A00104501	PIN	active		
84	A00104602	PIN	active		
85	BAC0604102	BOLT	active		
87	BAA060016-R	SPRING PIN	active		
88	BAD01041	NUT	active		
89	BAC0404202	BOLT	active		
90	BAA040016	PIN	active		
91	BAF10252	RING,RETAINING	active		
92	BAF22002	RING,RETAINER	active		
94	A00104901	PLASTIC PIN	active		
95	C0011201A	PLUG	active		
96	BAF22002	RING,RETAINER	active		
97	BAC0204062	SCREW	active		
100	HAA-19-32-P7	MAGAZINE SA. FOR USE FROM SERIAL NO. SN12320006	active		
826	C0010701	SPANNER SPECIAL	active		