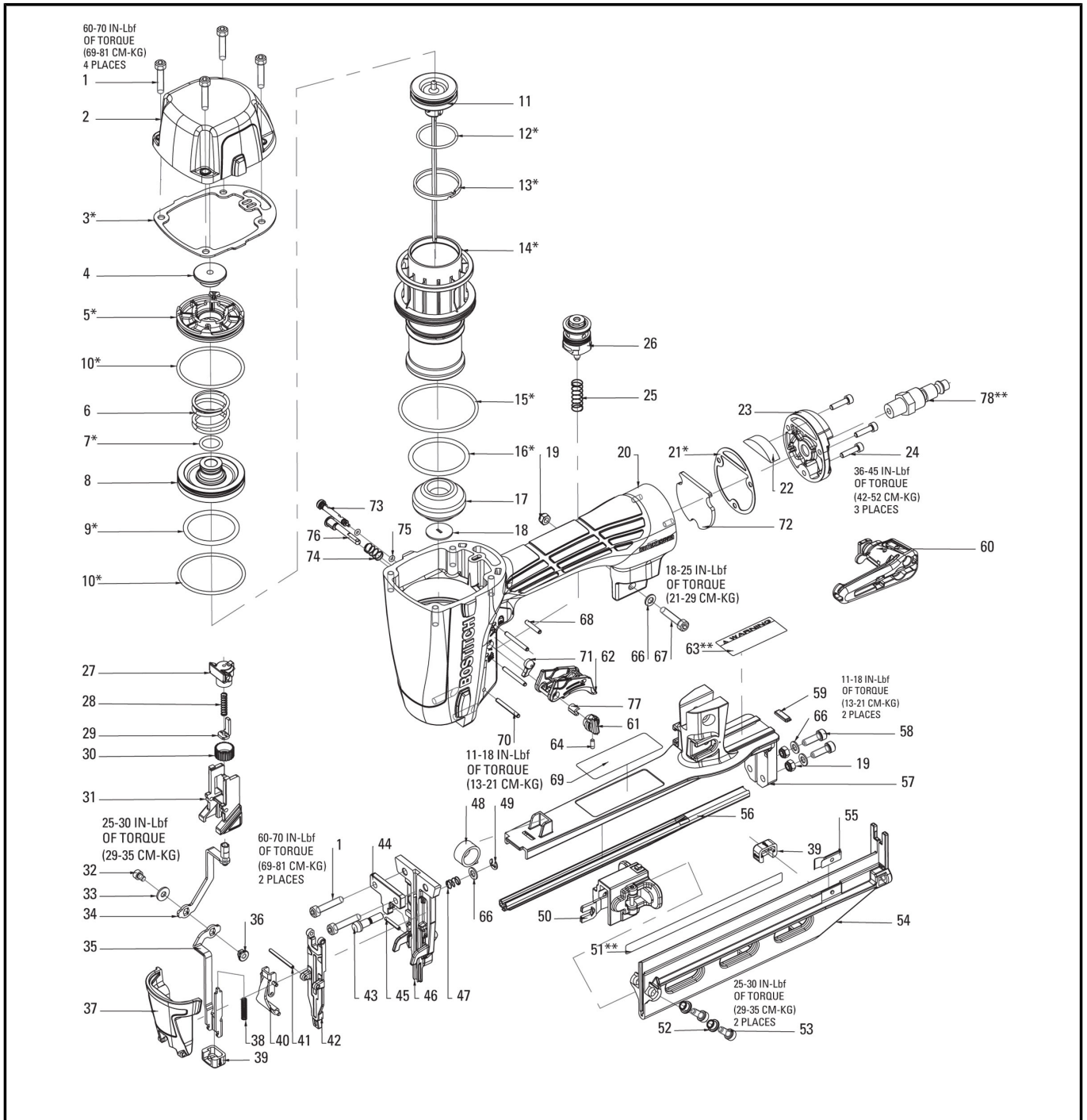


Tool model
Tool Status

FN1664-E
active

BOSTITCH®



| Chart Ref | Spare part code | Description | Status | Previous Part Code 1 | Previous Part Code 2 |
|-----------|----------------------------|---------------------------|--------|----------------------|----------------------|
| 1 | MSC5080-25 | SCREW,SHCS,M5X0.80X25 | active | | |
| 2 | 181918 | ASSEMBLY, CAP | active | | |
| 3 | 180226 | GASKET, FRAME/CAP | active | | |
| 4 | 180533 | TOP SEAL, HEAD VALVE | active | | |
| 5 | 180230 | SEAL,HEAD VALVE | active | | |
| 6 | 180532 | SPRING, HEAD VALVE | active | | |
| 7 | 100843 | O-RING,13.8MMX2.4MM | active | | |
| 8 | 180537 | HEAD VALVE | active | | |
| 9 | 182253 | O-RING, 1.420 X 0.139 NBR | active | | |
| 10 | 850605 | O-RING, 1.925 X 0.103 NBR | active | | |
| 11 | 180292 | ASSEMBLY, PISTON/DRIVER | active | | |

| Chart Ref | Spare part code | Description | Status | Previous Part Code 1 | Previous Part Code 2 |
|-----------|-----------------------------|-----------------------------|--------|----------------------|----------------------|
| 12 | 180544 | O-RING, 31.0MMX2.0MM | active | | |
| 13 | 180543 | RING, PISTON | active | | |
| 14 | 180538 | SLEEVE, CYLINDER | active | | |
| 15 | 166047 | O-RING, 2.300 X .103 | active | | |
| 16 | 180540 | O-RING, 41.7MMX3.5MM | active | | |
| 17 | 180549 | BUMPER | active | | |
| 18 | 180293 | DRIVER GUIDE | active | | |
| 19 | MHE5080-100 | NUT,NYLON M5X.80 | active | | |
| 20 | 180222 | FRAME, OVERMOLD | active | | |
| 21 | 180463 | GASKET, END CAP | active | | |
| 22 | 180577 | MUFFLER | active | | |
| 23 | 180465 | END CAP | active | | |
| 24 | MSC4070-16 | SCREW,SHCS,M4X0.7X16 | active | | |
| 25 | 180476 | SPRING, TRIGGER | active | | |
| 26 | TVA15 | ASSEMBLY, TRIGGER VALVE | active | | |
| 27 | 180514 | GUIDE, UPPER TRIP | active | | |
| 28 | 180513 | SPRING, CONTACT ARM | active | | |
| 29 | 180510 | ASSEMBLY, UPPER CONTACT ARM | active | | |
| 30 | 180509 | ADJUSTING KNOB | active | | |
| 31 | 180290 | GUIDE, TRIP | active | | |
| 32 | MSC4070-6 | SCREW,SHCS,M4X0.70X6 | active | | |
| 33 | 121294 | WASHER, PWR M4 | active | | |
| 34 | 180310 | ASSEMBLY, TRIP | active | | |
| 35 | 180234 | ARM, LOWER CONTACT | active | | |
| 36 | 180311 | FIXED NUT | active | | |
| 37 | 180229 | COVER, LOWER CONTACT ARM | active | | |
| 38 | 180312 | SPRING, CONTACT ARM | active | | |
| 39 | 180213 | FOOT, CONTACT (NO MAR) | active | | |
| 40 | 180294 | ASSEMBLY, PINCH PLATE | active | | |
| 41 | 180552 | PIN,SPRING M2.5X30mm | active | | |
| 42 | 180212 | DOOR, MACHINING | active | | |
| 43 | 180220 | LOCKOUT, DRYFIRE | active | | |
| 44 | 180237 | DRIVER GUIDE B | active | | |
| 45 | MPG025018 | PIN, SPRING M2.5 X 18 mm | active | | |
| 46 | 180210 | NOSE, MACHINING | active | | |
| 47 | 180550 | SPRING, LOCK OUT | active | | |
| 48 | 180563 | SPRING, CONTACT FORCE | active | | |
| 49 | 180551 | E-RING,4MM | active | | |
| 50 | 180232 | ASSEMBLY, PUSHER | active | | |
| 52 | 180235 | BUSHING | active | | |
| 53 | MSC5080-12 | SCREW,SHCS,M5X0.8X12 | active | | |
| 54 | 181916 | MAGAZINE, BOTTOM | active | | |
| 55 | 180564 | NAIL STOP | active | | |
| 56 | 180560 | ASSEMBLY, NAIL LINER | active | | |
| 57 | 180236 | MAGAZINE, UPPER | active | | |
| 58 | MSC5080-16 | SCREW,SHCS,M5X0.80X16 | active | | |
| 59 | 180581 | END COVER, SENSOMATIC | active | | |
| 60 | 182272 | ASSEMBLY, BELT HOOK, EU | active | | |
| 61 | 184506 | BUTTON, MODE SWITCH | active | | |
| 62 | 184513 | ASSEMBLY, TRIGGER | active | | |

| Chart Ref | Spare part code | Description | Status | Previous Part Code 1 | Previous Part Code 2 |
|------------------|------------------------------|---------------------------|---------------|-----------------------------|-----------------------------|
| 64 | 180484 | SCREW, SET, M3X8 MM | active | | |
| 66 | 180569 | WASHER, PLAIN, D5X10X1 | active | | |
| 67 | MSC5080-22-2 | SCREW, SHCS, M5X0.80X22-2 | active | | |
| 68 | 107583 | PIN,SPRING M3 x 18MM | active | | |
| 69 | 182243 | LABEL, FN1664-E | active | | |
| 70 | 174345 | PIN, SPRING, M3X28 | active | | |
| 71 | 184518 | BUTTON, TRIGGER LOCK | active | | |
| 72 | 182235 | AIR FILTER | active | | |
| 73 | 184519 | PIN, TRIGGER LOCK | active | | |
| 74 | 180481 | SPRING, MODE SWITCH | active | | |
| 75 | MRG002514 | O-RING,.098 x .055 | active | | |
| 76 | 184507 | PIN, MODE SWITCH | active | | |
| 77 | 184508 | BUSHING, TRIGGER | active | | |
| option | FN1664-RK | FN1664 REBUILD KIT | active | | |
| option | TIPPAK3 | FN1664 PROFILE TIP PACK | active | | |