

Tool model
Tool Status

TU-216-2330K-E
active

BOSTITCH®

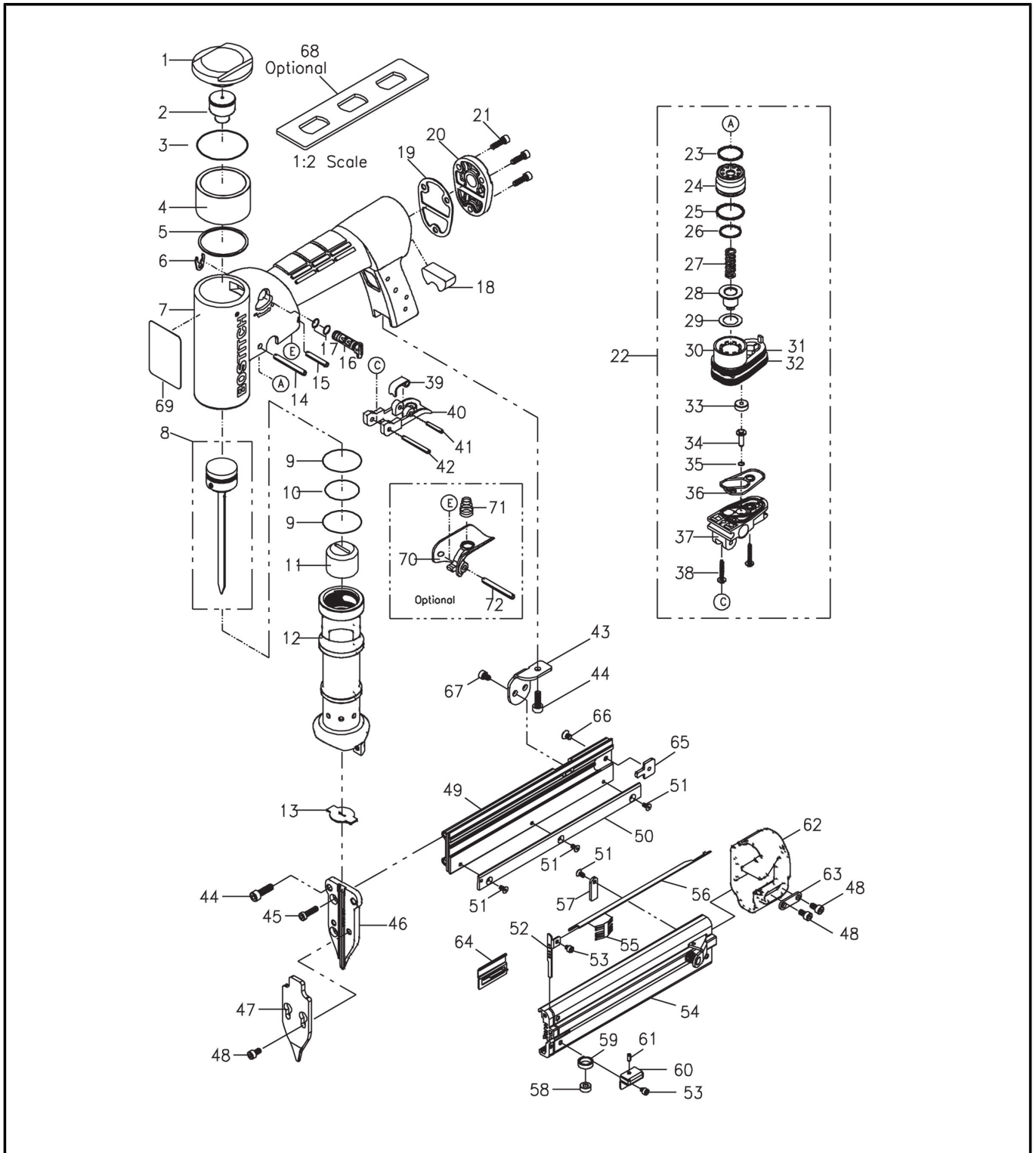


Chart Ref	Spare part code	Description	Status	Previous Part Code 1	Previous Part Code 2
1	P2145203262	CAP	active		
2	P2860000600	BUMPER, PISTON STOP	active		
3	100353	O-RING, 1.301X.070	active	S06A002700	
4	174329	SPACER, CAP	active	P2230000563	
5	174328	GASKET	active	P2230000600	
6	174290	RETAINER, CLIP	active	P2145201062	
7	G4212800	FRAME UNIT	active		
8	G0313700	DRIVER UNIT	active		

Chart Ref	Spare part code	Description	Status	Previous Part Code 1	Previous Part Code 2
9	174309	O-RING,1.049X.103	active	S06A012100	
10	174310	O-RING,,989X.070	active	S06A002200	
11	P2140001200	BUMPER	active		
12	P2230000163	SLEEVE,CYLINDER	active		
13	P2865200862	JOINT GUIDE	active	P2865200462	
14	174305	PIN,COILED,M4X30	active	S2904030000	
15	174304	PIN,COILED,M4X18	active	S2904018000	
16	P2140000666	VALVE. ENERGY CONTROL	active		
17	174311	O-RING,,217X.059	active	S06S000600	
18	174266	MUFFLER	active	P2140005800	
19	174295	GASKET, END CAP	active	P2140003400	
20	174296	CAP, END	active	P2140001340	
21	174306	SCREW,SHCS,M4X0.7X14	active	S0110414100	
22	TVA13	ASSEMBLY, TRIGGER VALVE	active	G1201300	
23	S06A001600	O-RING	active		
24	174278	HEAD VALVE	active	P2142003100	
25	174312	O-RING,,700X.072	active	S06Z003500	
26	102163	O-RING, .591 X .059	active	S06Z003600	
27	174280	SPRING,COMPRESSION	active	P2145201562	
28	174279	SEAL, EXHAUST	active	P2140000300	
29	174281	WASHER,SPECIAL	active	P2140004200	
30	174277	HOUSING, HEAD VALVE	active	P2140004100	
31	108467	O'RING,1.237 X .103	active	S06A012400	
32	100817	O-RING,1.299X.103	active	S06A012500	
33	174282	SEAL, TRIGGER STEM	active	P2140005400	
34	174283	STEM	active	P2142003300	
35	174313	O-RING,,042X.050	active	S06A000200	
36	174284	SEAL, VALVE	active	P2140000766	
37	174276	HOUSING, TRIGGER	active	P2140004066	
38	174285	SCREW, M3 X 16	active	S1310316100	
39	174269	ASSEMBLY, TRIGGER	active	G1301900	P2145200462
40	174269	ASSEMBLY, TRIGGER	active	G1301900	P2180000366
41	174269	ASSEMBLY, TRIGGER	active	G1301900	S0803014000
42	S0803020000	SPRING PIN	active		
43	P2866300565	TAIL HANGER	active		
44	1A104121	HEX. SOC. HD. BOLT	fut disc	S0110412100	
45	1A104163	HEX. SOC. HD. BOLT	active	S0110416300	
46	P2865200262	DRIVER GUIDE	active		
47	P1245201162	DRIVER GUIDE COVER A	active		
48	S0110408100	Hex.Soc.Hd.Bolt	active		
49	P1240000163	MAGAZINE A	active		
50	P1245200362	NAIL SLIDE GUIDE	active		
51	S0310306100	FLAT HD. SOC. SCREW	active		
52	P1245200662	STOP PLATE A	active		
53	S0110304100	HEX. SOC. HD. BOLT	active		
54	P2860000700	MAGAZINE B UNIT	active		
55	P1240000800	SPRING	active		
56	P1245200562	HOLDING BAR	active		
57	P1245200762	STOP PLATE B	active		
58	P1245201762	BUSHING	active		

Chart Ref	Spare part code	Description	Status	Previous Part Code 1	Previous Part Code 2
59	P1240001600	SPRING	active		
60	P1246301465	SPRING BRACKET	active		
61	S0803006000	SPRING PIN	active		
62	P2860000100	END COVER	active		
63	JA450111	END COVER PLATE	active	P0595203662	
64	P1246100457	PUSHER	active		
65	P0645201462	REAR PLATE	active		
66	S0310406100	FLAT HD. SOC. SCREW	active		
67	1A104061	HEX SOC.HD.BOLT	fut disc	S0110406100	
68	174322	WRENCH	active	P2146305665	
69	B214002001	WARNING LABEL (158577)	active		
70	174299	TRIGGER, SECOND	active	P2510000166	
71	174300	SPRING, COMPRESSION, CONICAL	active	P1115201762	
72	177685	PIN, SPRING, 4X32MM	active	S0804032000	