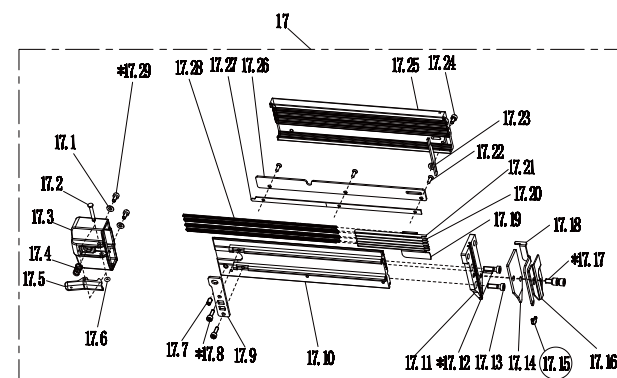
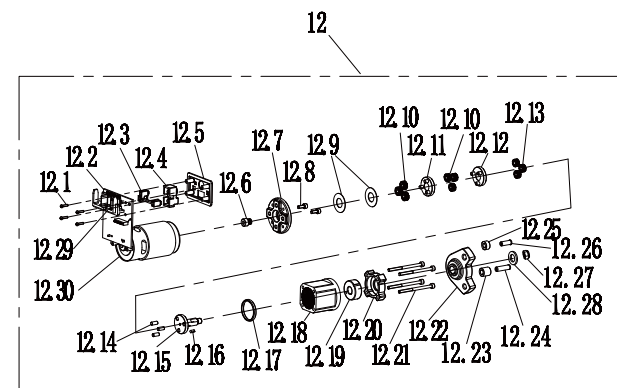
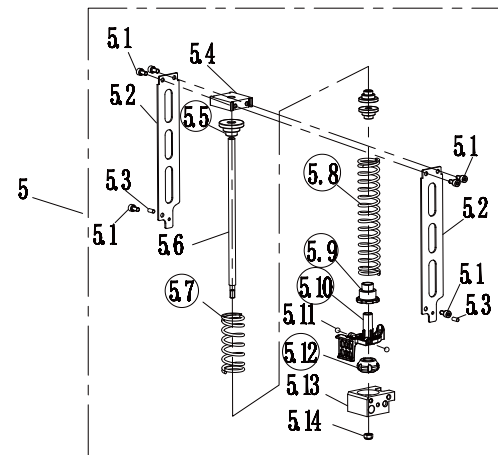
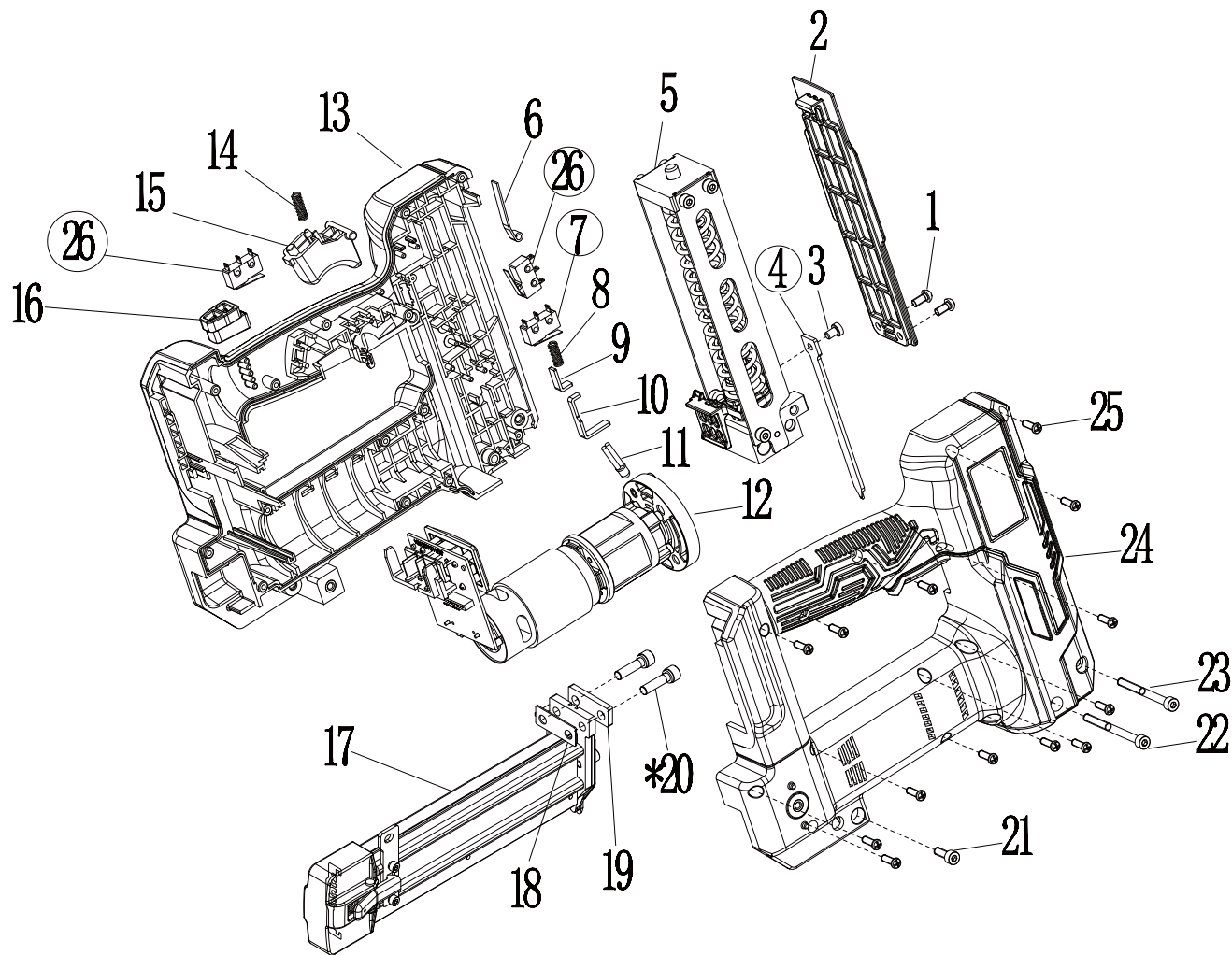


Детализировка и лист запасных частей Freeman LD635



Лист запасных частей Freeman LD635

INDEX	DESCRIPTION	SPECIFICATION	QTY
1	Screw	4*6	2
2	Cover		1
3	Pin		1
4	Driver Blade		1
5	Main Part		1
5.1	Screw Set A (Screw+Lock Washer)	M4X8	6
5.2	Guard Plate		2
5.3	Pin	3X8	2
5.4	Cover		1
5.5	Spring Base		3
5.6	Guide Rod		1
5.7	Inner Spring C		1
5.8	Outer Spring C		1
5.9	Bumper		1
5.10	Iron PistonIron		1
5.11	Steel Ball		2
5.12	Bumper		1
5.13	Base		1
5.14	Lock Nut	M5	1
6	wrench		1
7	Microswitch		1
8	Spring		1
9	Safety Return Spring		1
10	Curved Rod		1
11	Connecting Rod		1
12	LED Light		1
12.1	Screw	ST1.9*6	4
12.2	PCB		1
12.3	Light Guide		1
12.4	Button		1
12.5	Control Board		1
12.6	Gear		1
12.7	End Cap		1
12.8	Screw Set A	M3*8	2
12.9	Gasket		2
12.10	Gear		3
12.11	Carrier		1
12.12	Gear		1
12.13	Carrier		7
12.14	pin		4
12.15	Output Shaft		1
12.16	Parallel Key	2X2X6	1
12.17	Ring Gear		1
12.18	Ring Gear		1
12.19	Bearing	φ 8X φ 22X9	1
12.20	End Cap		1
12.21	Hex Screw		4
12.22	Cam Assy.		1
12.23	Cam		1
12.24	Bushing		1
12.25	Shaft		1
12.26	Bushing		1
12.27	Lock Nut	M6	1
12.28	Washer	8	1
12.29	Battery compartment		1
12.30	Motor		1
13	Housing (L)		1
14	Spring		1
15	Trigger		1
16	plug		1

INDEX	DESCRIPTION	SPECIFICATION	QTY
17	Magazine Assy.		1
17.1	Washer	3	2
17.2	pin		1
17.3	Locator		1
17.4	spring		1
17.5	Latch		1
17.6	O-Ring	1.8X1.8	1
17.7	Hex.Bolt	M4 x 5	1
17.8	Screw Set A (Screw+Lock Washer)	M3 x 10	2
17.9	Bracket		1
17.10	Inner magazine		1
17.11	Driver Guide		1
17.12	pin	1.5 x 10	1
17.13	Hex.Bolt	M4 x 14	2
17.14	Safety Cover		1
17.15	Tip		1
17.16	platen		1
17.17	Screw Set A (Screw+Lock Washer)	M4 x 8	2
17.18	Safety		1
17.19	Pusher		1
17.20	Pusher A		2
17.21	Pusher		4
17.22	Screw	M2.5 x 8	3
17.23	spacing piece		1
17.24	Screw Set A (Screw+Lock Washer)	M3 x 6	1
17.25	Magazine Cover		1
17.26	platen		1
17.27	Strip		1
17.28	spring		7
17.29	Hex.Bolt	M3 x 6	1
18	Heel		1
19	Block		1
20	Screw Set A (Screw+Lock Washer)	M5X20	2
21	Hex.Bolt	M4 x 12	1
22	Hex.Bolt	M4X50	1
23	Hex.Bolt	M4X45	1
24	Housing (R)		1
25	Screw		13
26	Microswitch		2