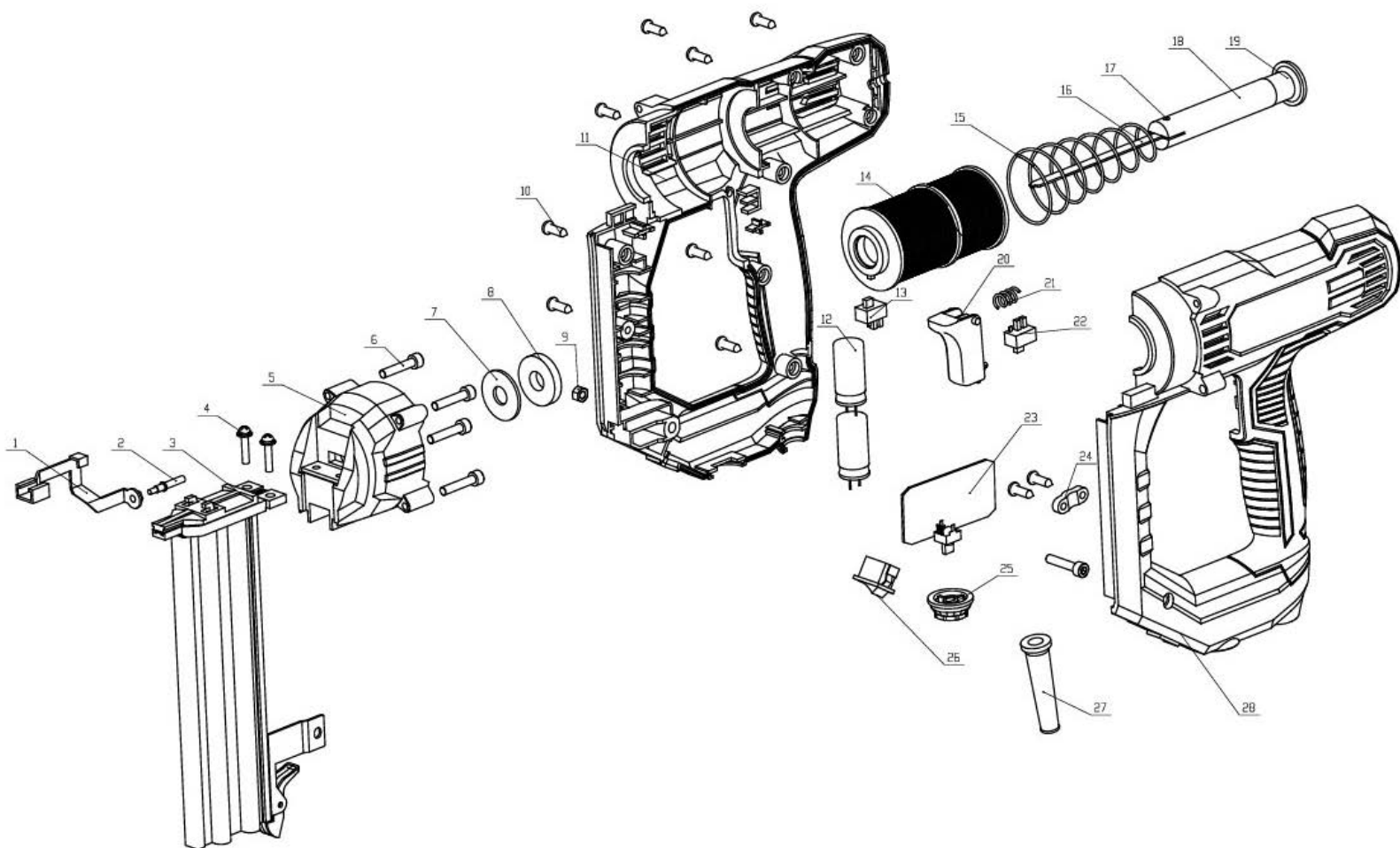


# Детализировка и лист запасных частей электрического гвоздезабивного пистолета FROSP F50E



Drawing No.	Name	Qty	Drawing No.	Name	Qty
1	Mechanical Protection	1	16	Firing Pin	1
2	Mechanical Protection Locating Pin	1	17	Elastic Pin	1
3	F50 Single Spring Clip	1	18	Ram Hammer	1
4	Hexagon Socket Set Screw	2	19	Rear Buffer Block	1
5	Head Shell	1	20	Trigger	1
6	Socket Head Cap Screw	5	21	Trigger Spring	1
7	Large Gasket	1	22	Mechanical Protection Switch	1
8	Front Buffer Block	1	23	Circuit Board Assembly	1
9	Hexagon Nut	1	24	Cable Clamp	1
10	Cross Recessed Pan Head Screw	10	25	Speed Control Knob	1
11	Right Housing	1	26	Power Switch	1
12	Large Capacitance	2	27	Cable Sheath	1
13	Mechanical Protection Switch	1	28	Left Housing	1
14	Coil	1	29	Cable	1
15	Large Spring	1			