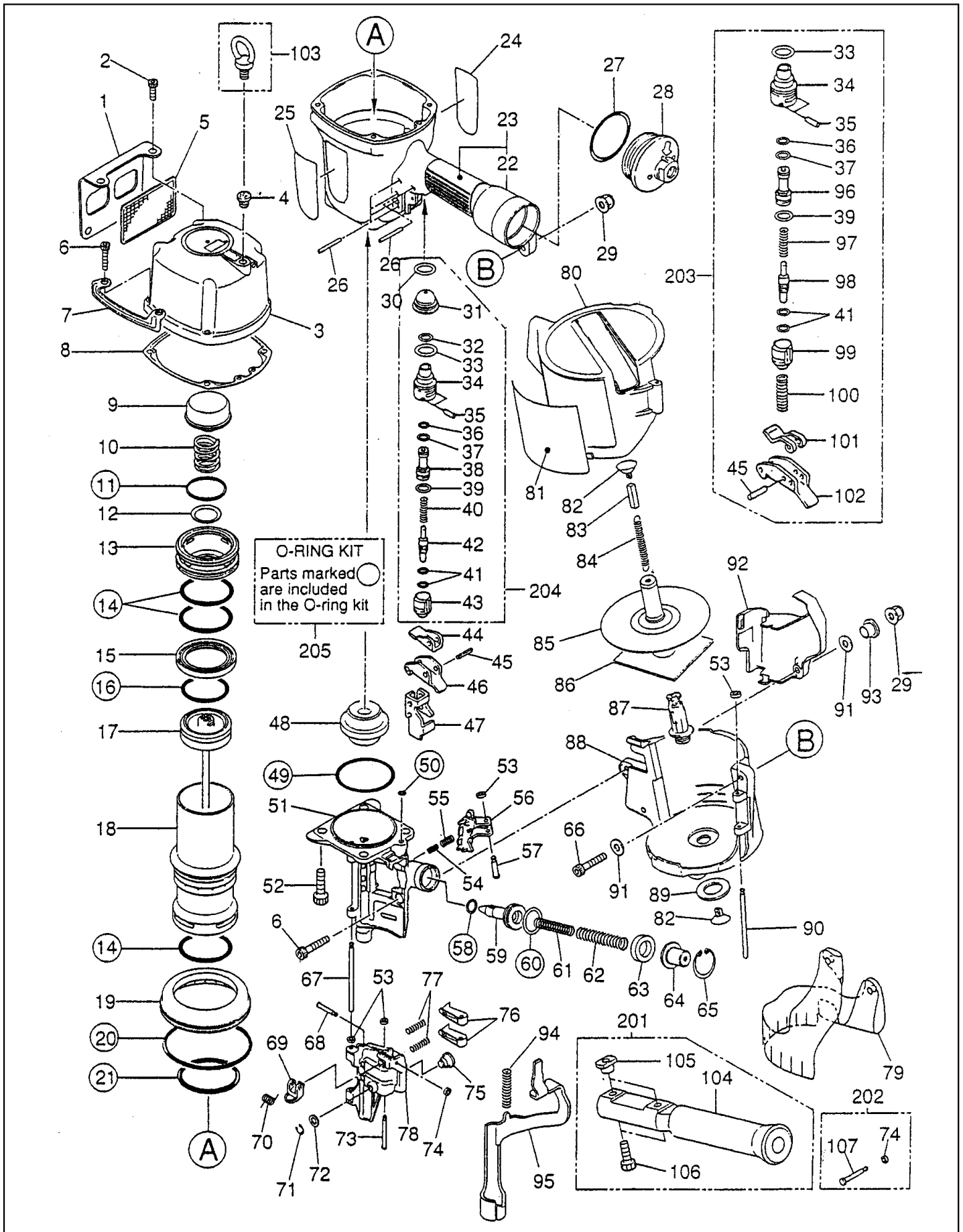


# CN100

## HEAVY DUTY COIL NAILER



<b>Tool Model</b>	<b>Part NO</b>	<b>Part Code</b>	<b>Description</b>
CN100	1	CN36175	EXHAUST COVER
CN100	2	BB40415	BOLT 5X10
CN100	3	CN70097	CYLINDER CAP UNIT
CN100	4	TA12319	GROMMET
CN100	5	CN36176	EXHAUST FILTER A
CN100	6	BB40487	SCREW M6X35(REPLACES BB40469)
CN100	7	CN36192	PROTECTOR
CN100	8	CN38517	CYLINDER CAP SEAL, REPLACES CN36171
CN100	9	CN36173	PISTON STOP
CN100	10	KK23821	COMP. SPRING 3821
CN100	11	HH19195	O-RING 3X56.8 851438
CN100	12	CN36174	HEAD VALVE WASHER
CN100	13	CN36172	HEAD VALVE PISTON
CN100	14	HH12906	O-RING A 3.2X69.5
CN100	15	CN36169	HEAD VALVE SEAL
CN100	16	HH19802	O-RING 5.7X55.4
CN100	17	CN70100	MAIN PISTON UNIT
CN100	18	CN36209	CYLINDER (CN36167 replaced)
CN100	19	CN36208	CYLINDER RING (CN36168 replaced)
CN100	20	HH14161	O-RING AS568-244
CN100	21	HH12119	O-RING 1AP70
CN100	22	CN70188	FRAME
CN100	23	KN12631	GRIP COVER
CN100	24	CN35636	WARNING LABEL(FRAME)
CN100	25	CN36216	LABEL
CN100	26	FF21611	ROLL PIN 3X32 AW
CN100	27	HH12111	O-RING 1AG-45
CN100	28	KN81039	END CAP
CN100	29	CC00402	NUT M6
CN100	30	HH11159	O-RING ARP568-016 86459
CN100	31	CN37529	TRIGGER VALVE GAGE (REPLACES CN31590/CN33023)
CN100	32	HH11151	O-RING ARP568-013 N10067
CN100	33	HH11138	O-RING AP20
CN100	34	CN32247	TRIGGER VALVE HOUSING(REPLACES CN/KN10387)
CN100	35	FF30161	PIN 161
CN100	36	HH11119	O-RING AP6 N10027
CN100	37	HH11209	O-RING 1BP7 N10028
CN100	38	CN31589	PILOT VALVE
CN100	39	HH11113	O-RING AP9 N5528
CN100	40	KK24123	COMPRESSION SPRING 4123
CN100	41	HH11901	O-RING 1.4 X 2.5 CN65020
CN100	42	CN31347	TRIGGER VALVE STEM
CN100	43	CN31346	TRIGGER VALVE CAP
CN100	44	CN37424	CONTACT LEVER
CN100	45	FF21220	PIN 3X16 N10098
CN100	46	CN37423	TRIGGER
CN100	47	CN37553	CONTACT ARM GUIDE
CN100	48	CN36188	BUMPER
CN100	49	HH14913	O-RING AS568-151
CN100	50	HH11105	O-RING AP7 N5525
CN100	51	CN70200	NOSE (CN100)

Tool Model	Part NO	Part Code	Description
CN100	52	BB40453	BOLT 10X30
CN100	53	EE39602	WASHER 7
CN100	54	KK23788	COMP. SPRING 3788
CN100	55	KK23710	COMP. SPRING 3710
CN100	56	CN36181	FEED PAWL
CN100	57	FF42216	STEP PIN 2216
CN100	58	HH11132	O-RING 1AP10A CN65072
CN100	59	CN36182	FEED PISTON
CN100	60	HH11143	O-RING AP21 851437
CN100	61	KK23832	COMP. SPRING 3832
CN100	62	KK23517	COMP. SPRING 3517
CN100	63	CN32762	FEED PISTON STOP
CN100	64	CN36194	SPRING COLLAR
CN100	65	JJ22407	C-RING 26
CN100	66	BB40469	BOLT 6X40
CN100	67	FF31285	STRAIGHT PIN 1285
CN100	68	FF41599	PIN 1599 (REPLACES FF41587)
CN100	69	CN36195	DOOR LATCH
CN100	70	KK33261	TORSION SPRING 3261 (REPLACES KK33169)
CN100	71	JJ10405	E-RING 4
CN100	72	EE39814	PLAIN WASHER D
CN100	73	FF41261	PIN 1261
CN100	74	EE39609	RUBBER WASHER 1.8X6X2
CN100	75	FF41837	STEP PIN 1837
CN100	76	CN37523	CHECK PAWL CN65056
CN100	77	KK23109	SPRING 3109 CN65057
CN100	78	CN36183	DOOR
CN100	79	CN36191	DUST COVER
CN100	80	CN36186	MAGAZINE CAP
CN100	81	CN36190	WARNING LABEL
CN100	82	CN37383	SPRING HOOK (CN30602 replaced)
CN100	83	CN30601	SPACER CN65091
CN100	84	KK13144	SPRING 3144 (SUPERCEDES KK13040)
CN100	85	CN70104	NAIL SUPPORT UNIT
CN100	86	CN31578	SPACER
CN100	87	CN36198	MAGAZINE POST
CN100	88	CN36185	MAGAZINE
CN100	89	EE39603	RUBBER WASHER 14(REPLACES EE39606)
CN100	90	FF41560	STEP PIN 1560
CN100	92	CN36193	CONTACT ARM COVER
CN100	93	CN32170	COLLAR
CN100	94	KK23820	COMP. SPRING 3820
CN100	95	CN36184	CONTACT ARM
CN100	96	CN33627	PILOT VALVE
CN100	97	KK23129	COMPRESSION SPRING 3129
CN100	98	CN31715	TRIGGER VALVE STEM CN-670DS
CN100	99	CN31716	TRIGGER VALVE CAP CN-670DS
CN100	100	KK23228	SPRING 3228
CN100	101	CN34300	CONTACT LEVER DS
CN100	102	CN30276	TRIGGER (S.T.)
CN100	103	BB10401	EYE BOLT 8X15

<b>Tool Model</b>	<b>Part NO</b>	<b>Part Code</b>	<b>Description</b>
CN100	107	FF41842	STEP PIN 1842
CN100	202	TA81014	STEP PIN KIT
CN100	203	CN80273	SEQUENTIAL TRIGGER VALVE ASSY
CN100	204	CN80548	TRIGGER VALVE ASSY
CN100	205	CN81061	O-RING KIT (CN100)