

HN25C

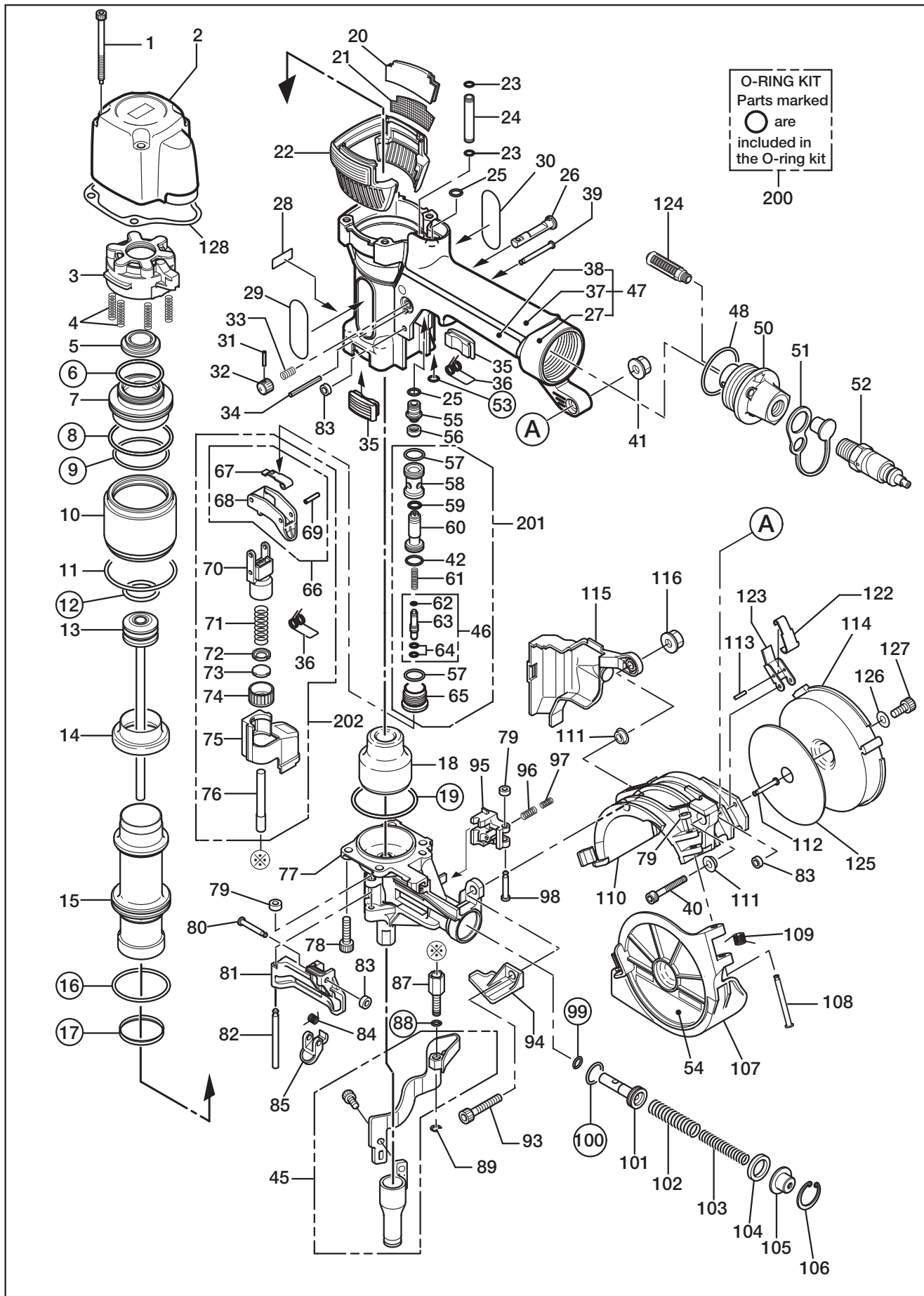
EXPLODED
VIEW AND SPARE
PARTS LIST

EINZELTEILDAR-
STELLUNG UND
ERSATZEILLISTE

SCHEMA ECLATE ET
LISTE DES PIÈCES
DE RECHANGE

ESPLOSO DEI
COMPONENTI ED
ELENCO DELLE
PARTI DI RICAMBIO

DESPIECE DE LA
MAQUINA Y LISTA
DE RECAMBIOS



Tool Model	Part NO	Part Code	Description
HN25C	1	HN10130	BOLT 5X66
HN25C	2	HN10519	CYLINDER CAP
HN25C	3	HN10005	INNER CAP
HN25C	4	KK23650	COMP SPRING 3650
HN25C	5	HN10009	PISTON STOP
HN25C	6	HH19217	O-RING B 2.4X31.8
HN25C	7	HN10007	HEAD VALVE PISTON
HN25C	8	HH19165	O-RING A 2.6X46.5 (CN-57)
HN25C	9	HH19723	O-RING A2.6X43.4
HN25C	10	HN10113	HEAD VALVE GUIDE
HN25C	11	HH12104	O-RING 1A 2.4X48.3 N5519
HN25C	12	HH11805	O-RING P22A
HN25C	13	HN70074	MAIN PISTON UNIT
HN25C	14	HN10013	CYLINDER SEAL
HN25C	15	HN10116	CYLINDER
HN25C	16	HH19150	O-RING3.1X40.5
HN25C	17	CN32064	CHECK VALVE
HN25C	18	HN10015	BUMPER
HN25C	19	HH19168	O-RING A 1.5X44
HN25C	20	HN10047	FILTER B
HN25C	21	HN10046	FILTER A
HN25C	22	HN10056	EXHAUST COVER UNIT
HN25C	23	HH19722	O-RING A1.5X5
HN25C	24	HN10112	PIPE
HN25C	25	HH19127	O-RING A 1.5X5.5
HN25C	26	CN34699	TRIGGER LOCK LEVER
HN25C	28	HN10039	PLASTIC SHEET LABEL (100421)
HN25C	29	HN10729	LABEL
HN25C	30	HN10039	WARNING LABLE
HN25C	31	FF21201	PIN 2.5X10
HN25C	32	HN10327	TRIGGER LOCK DIAL
HN25C	33	KK23507	SPRING 3507
HN25C	34	FF21235	SPRING PIN 3X30
HN25C	35	HN10035	PROTECTOR A
HN25C	36	KK33237	SPRING 3237
HN25C	37	HN10050	GRIP COVER A
HN25C	38	HN10051	GRIP COVER B
HN25C	39	FF41842	PIN 1842
HN25C	40	BB40470	SCREW 5X32
HN25C	41	CC00401	ELASTIC STOP NUT M5
HN25C	42	HH11132	O-RING 1AP10A CN65072
HN25C	45	HN81047	CONTACT NOSE UNIT
HN25C	46	HN81046	STEM ASSY
HN25C	47	HN81027	FRAME
HN25C	48	HH12118	O RING 1AG35
HN25C	50	HN10313	END CAP
HN25C	51	HN10316	END PLUG CAP
HN25C	52	HN70264	AIR PLUG H-FPM (TT05425 replaced)
HN25C	53	HH12904	O-RING A 1X6.2 N5536
HN25C	54	HN10754	WARNING LABEL FOR CASE
HN25C	55	HN10043	PILOT CAP

Tool Model	Part NO	Part Code	Description
HN25C	56	HN10018	PILOT SEAL
HN25C	57	HH12105	O-RING 1A 1.5 X 12.8 N5521
HN25C	58	HN10016	TRIGGER VALVE HOUSING
HN25C	59	HH11208	O-RING P6 (HH11804 replaced)
HN25C	60	HN10017	PILOT VALVE
HN25C	61	KK23619	COMP. SPRING 3619
HN25C	62	HH19707	O-RING A1.4X2.5
HN25C	63	HN10057	TRIGGER VALVE STEM
HN25C	64	HH19214	O-RING 1B 1.5X3
HN25C	65	HN10019	TRIGGER VALVE CAP
HN25C	66	HN80040	TRIGGER ASSY
HN25C	67	HN10100	CONTACT LEVER
HN25C	68	CN35260	TRIGGER
HN25C	69	FF22402	SPRING PIN 3X16 (LIGHT LOAD)
HN25C	70	HN10021	ARM GUIDE
HN25C	71	KK23902	COMP. SPRING 3902
HN25C	72	HN10041	CONTACT BUMPER
HN25C	73	HN10103	CONTACT COLLAR
HN25C	74	HN10026	ADJUST DIAL
HN25C	75	HN10029	ADJUST SPACER
HN25C	76	HN10101	CONTACT ARM A
HN25C	77	HN10718	NOSE
HN25C	78	BB40213	BOLT 6 X 25
HN25C	79	EE39602	WASHER 7
HN25C	80	FF41599	PIN 1599 (REPLACES FF41587)
HN25C	81	HN10716	DOOR
HN25C	82	FF31256	STRAIGHT PIN 1256
HN25C	83	EE39609	RUBBER WASHER 1.8X6X2
HN25C	84	KK33261	TORSION SPRING 3261 (REPLACES KK33169)
HN25C	85	CN33679	DOOR LUTCH
HN25C	87	HN10027	CONTACT BOLT
HN25C	88	HH11903	O-RING 1A 1.2 X 4 T29051(REPLACES TA15277)
HN25C	89	JJ10404	E-RING 3.2
HN25C	93	BB40438	BOLT 6X32
HN25C	94	HN10309	NAIL GUIDE
HN25C	95	HN10719	FEED PAWL
HN25C	96	KK23710	COMP. SPRING 3710
HN25C	97	KK23788	COMP. SPRING 3788
HN25C	98	FF41820	STEP PIN 1820
HN25C	99	HH11113	O-RING AP9 N5528
HN25C	100	HH11106	O-RING AP16
HN25C	101	HN10031	FEED PISTON
HN25C	102	KK23896	COMP. SPRING
HN25C	103	KK23627	COMP. SPRING 3627
HN25C	104	CN32093	FEED PISTON STOP
HN25C	105	HN10299	SPRING COLLAR
HN25C	106	JJ22408	C-RING 24
HN25C	107	HN10732	MAGAZINE CAP
HN25C	108	FF41281	PIN 1281
HN25C	109	KK33218	SPRING 3218
HN25C	110	HN10731	MAGAZINE HOLDER

Tool Model	Part NO	Part Code	Description
HN25C	111	CN30707	COLLAR
HN25C	112	FF41599	PIN 1599 (REPLACES FF41587)
HN25C	113	FF21234	V.S. PIN 3X12
HN25C	114	HN10736	MAGAZINE
HN25C	115	HN10722	ARM COVER
HN25C	116	CC00402	NUT M6
HN25C	122	HN10308	MAGAZINE HOOK
HN25C	123	HN10737	MAGAZINE LOCK LEVER
HN25C	124	TA17024	FILTER A
HN25C	125	NC13004	MAGAZINE PLATE FOR HN25C (USA)
HN25C	126	EE31108	PLAIN WASHER 1-4
HN25C	127	BB40427	T-BOLT 4 X 8
HN25C	128	HN10231	CYLINDER CAP SEAL
HN25C	200	HN81045	O-RING KIT
HN25C	201	HN81048	TRIGGER VALVE KIT
HN25C	202	HN81049	ARM GUIDE KIT