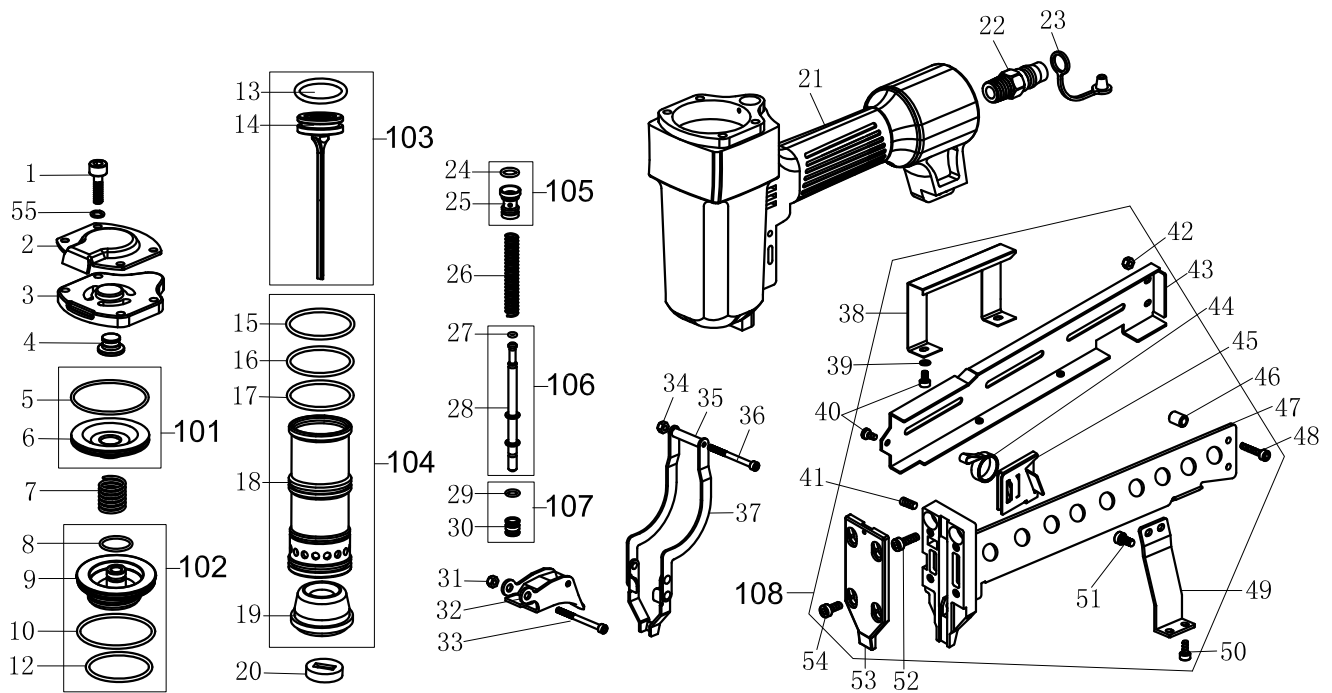


SERIES EXPLODED VIEWS OF NAILER

440KB



ITEM NO.	PART NO.	PART NAME	Q' TY	ITEM NO.	PART NO.	PART NAME	Q' TY
1	B01-01-050220-02	SCREW	4	34	B07-01-040-04	LOCKNUT	1
2	AA14A-001A	EXHAUST COVER	1	35	AA14C-014A	SLEEVE	1
3	AA14A-002A	CYLINDER CAP	1	36	B01-01-040350-02	SCREW	1
4	AA14A-003A	AIRPROOF CUSHION	1	37	AA16B-Y01A1	SAFETY	1
5	B08-050000200	O-RING	1	38	AA16A-013A	NAIL PROTECTOR	1
6	AA14A-004A	ACTIVE VALVE CAP	1	39	B04-02-040-02	FLAT WASHER	2
7	AA14A-005A	SPRING	1	40	B01-01-040060-02	SCREW	3
8	B08-010000180	O-RING	1	41	B01-04-040100-02	SCREW	1
9	AA14A-Y10A1	ACTIVE VALVE	1	42	B07-01-040-04	LOCKNUT	2
10	B08-048000250	O-RING	1	43	AA16A-012A	COVER	1
12	B08-040000250	O-RING	1	44	AA16A-009A	WINDING SPRING	1
13	B08-029700350	O-RING	1	45	AA16A-008A	PUSHER	1
14	AA16A-Y02A1	DRIVER	1	46	AA16A-014A	POISE SHIM	2
15	B08-038000250	O-RING	1	47	AA16B-Y03A2	NAIL ORIENT SOLDER	1
16	B08-037500180	O-RING	1	48	B01-01-040200-02	SCREW	2
17	B08-038000250	O-RING	1	49	AA16A-015A	LINK	1
18	AA14A-010B	CYLINDER	1	50	B01-01-040060-02	SCREW	2
19	AA14A-011B	BUMPER	1	51	B01-01-040100-02	SCREW	2
20	AA16A-003A	GAG	1	52	B01-01-060160-02	SCREW	2
21	AA16B-006A	BODY	1	53	AA16B-001B	MUZZLE COVER	1
22	AA06A-018A	AIR HOSE CONNECTOR	1	54	B01-01-050120-02	SCREW	4
23	AA17A-035A	DUST CAP	1	55	B04-01-050-02	SPRING WASHER	4
24	B08-008750180	O-RING	2				
25	AA17A-011A	UP AIR CONDUIT	1	101	AA14A-Y13A1	ACTIVE VALVE CAP SET	
26	AA17A-012A	SPRING	1	102	AA14A-Y01A2	ACTIVE VALVE PISTON SET	
27	B08-002800190	O-RING	3	103	AA16A-Y01A1	DRIVER SET	
28	AA17A-013A	THIMBLE	1	104	AA14A-Y14A1	CYLINDER SET	
29	B08-006500150	O-RING	2	105	AA17A-Y12A1	UP AIR CONDUIT SET	
30	AA17A-014A	DOWN AIR CONDUIT	1	106	AA17A-Y13A1	THIMBLE SET	
31	B07-01-040-04	LOCKNUT	1	107	AA17A-Y14A1	DOWN AIR CONDUIT SET	
32	AA17A-Y01A1	TRIGGER SET	1	108	AA16B-Y04A3	MAGAZINE SET	
33	B01-01-040300-02	SCREW	1				