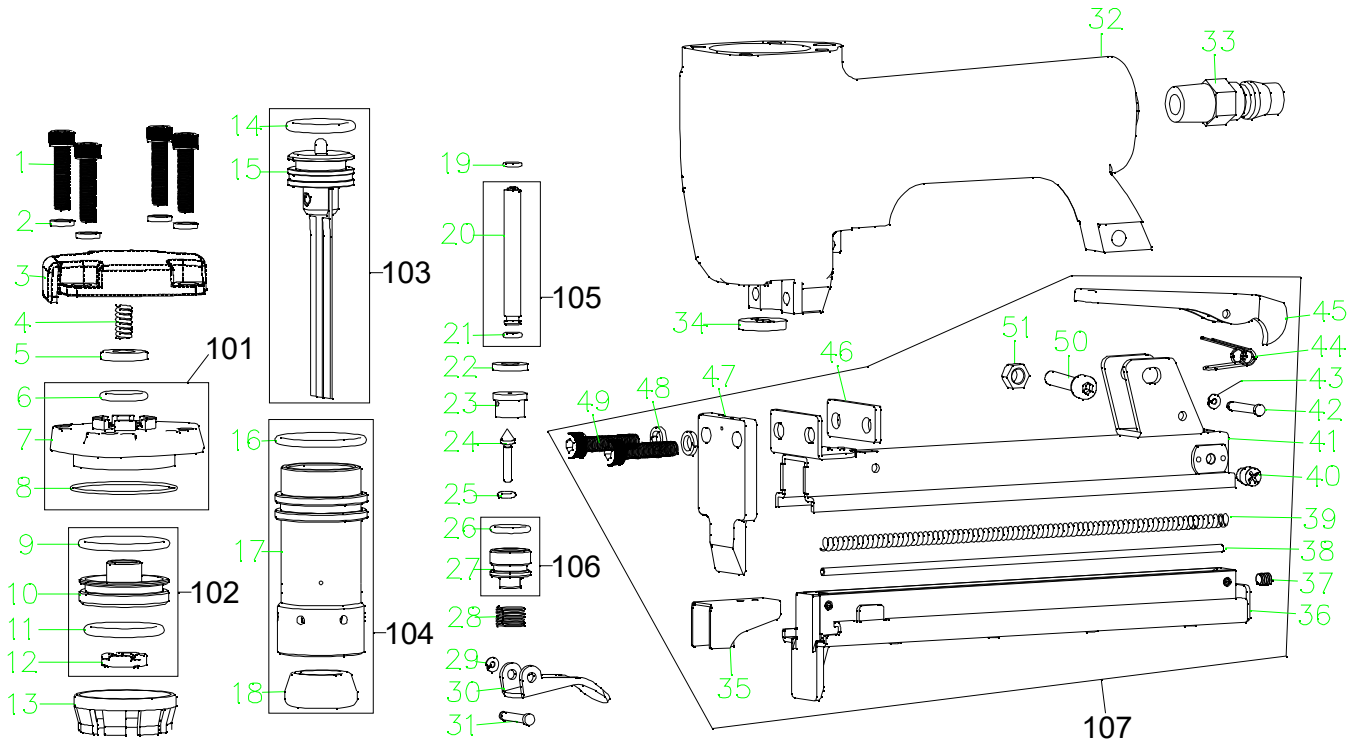


# EXPLODED VIEW AND PARTS LIST

## MODEL:8016B



ITEM NO.	PART NO.	PART NAME	Q' TY	ITEM NO.	PART NO.	PART NAME	Q' TY
1	B01-01-050220-02	SCREW	4	31	B05-028150-04	PIN	1
2	B04-01-050-02	SPRING WASHER	4	32	AA09A-001A	BODY	1
3	AA09A-002A	EXHAUST COVER	1	33	AA06A-018A	AIR HOSE CONNECTOR	1
▲4	AA09A-003A	SPRING	1	34	AA33B-001A	GAG	1
▲5	AA09A-004A	AIRPROOF CUSHION	1	35	AA33A-Y07A1	PUSHER SOLDER	1
▲6	B08-011800240	O-RING	1	36	AA33B-Y06A1	PROPELLENT SOLDER	1
7	AA09A-005A	CYLINDER CAP	1	37	B01-05-040030-02-NL	SCREW	1
▲8	B08-032000100	O-RING	1	38	AA09A-025A	RAIL	1
▲9	B08-026800240	O-RING	1	▲39	AA09A-022A	SPRING	1
10	AA09A-006A	ACTIVE VALVE	1	40	B01-05-040030-02-NL	SCREW	2
▲11	B08-021700300	O-RING	1	41	AA33B-Y05A1	NAIL TROUGH SOLDER	1
12	AA09A-007A	ACTIVE VALVE SHIM	1	42	B05-029170-04	PIN	1
13	AA09A-008A	RETAINER RING	1	43	B03-01-0025-02	E-RING	1
▲14	B08-017500300	O-RING	1	44	AA06A-037A	TORSION SPRING	1
▲15	AA33B-Y04A2	DRIVER	1	45	AA09A-015A	FASTENER	1
▲16	B08-026800240	O-RING	1	46	AA33B-003A	SHIM	1
17	AA09A-009B	CYLINDER	1	47	AA33B-002A	MUZZLE COVER	1
▲18	AA09A-010A	BUMPER	1	48	B04-01-050-02	SPRING WASHER	6
▲19	B08-003500160	O-RING	1	49	B01-01-050220-02	SCREW	2
20	AA06A-010A	AIR CONDUIT	1	50	B01-01-050220-02	SCREW	1
▲21	B08-004200120	O-RING	1	51	B07-01-050-00	LOCKNUT	1
22	AA06A-012A	VALVE SHIM	1				
23	AA06A-013A	VALVE	1	101	AA09A-Y10A1	CYLINDER CAP SET	
24	AA06A-014B	THIMBLE	1	102	AA09A-Y09A1	ACTIVE VALVE SET	
▲25	B08-002000150	O-RING	1	▲103	AA33B-Y01A2	DRIVER SET	
▲26	B08-010000200	O-RING	1	104	AA09A-Y11A1	CYLINDER SET	
27	AA06A-015A	VALVE CAP	1	105	AA06A-Y09A1	AIR CONDUIT SET	
28	AA06A-016A	SPRING	1	106	AA06A-Y11A1	VALVE CAP SET	
29	B03-01-0025-02	E-RING	1	107	AA33B-Y08A1	MAGAZINE SET	
30	AA06A-017A	TRIGGER	1				

Remark: Items with “▲” are vulnerable parts

GBA33B00303