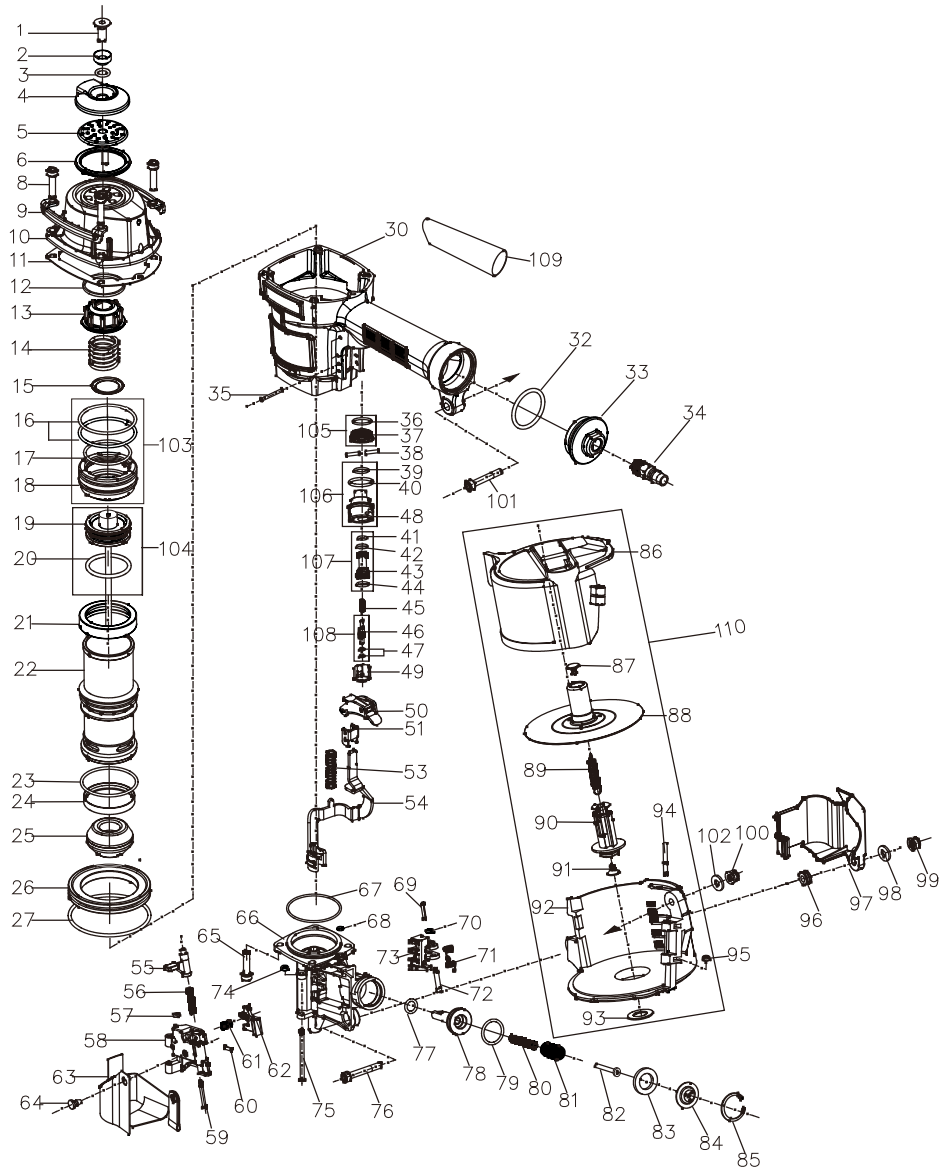


SERIES EXPLODED VIEWS OF NAILER

CN55



ITEM NO.	PART NO.	PART NAME	Q' TY	ITEM NO.	PART NO.	PART NAME	Q' TY
1	B01-02-080200-02	FLAT SCREW	1	59	AA40A-025A	STEP PIN	1
2	AA40A-051A	EXHAUST COVER HOLDER	1	60	B02-030120-02	ROLL PIN	1
3	B08-009800240	O-RING	1	61	AA40A-055A	SPRING	1
4	AA40A-001A	EXHAUST COVER	1	62	AA40A-022A	CHECK PAWL	1
5	AA40A-002A	EXHAUST FILTER	1	63	AA40A-034A	DUST COVER	1
6	AA40A-052A	EXHAUST COVER SHIM	1	64	AA40A-035A	DUST COVER HOOK	1
8	B01-01-060250-02	SCREW	4	65	B01-01-060250-02-NL	SCREW	4
9	AA40A-004A	PROTECTOR	2	66	AA40A-018A	MUZZLE	1
10	AA40A-Y17A1	CYLINDER CAP	1	▲67	B08-046000200	O-RING	1
11	AA40A-009A	CYLINDER CAP SHIM	1	▲68	B08-004000150	O-RING	1
12	AA40A-053A	GASKET	1	69	B02-030160-02	ROLL PIN	1
13	AA40A-005A	AIRPROOF CUSHION	1	70	AA40A-054A	RUBBLE JACKER	1
14	AA40A-006A	SPRING	1	71	AA40A-057A	SPRING	1
15	AA40A-00 8A	SPING WASHER	1	72	AA40A-032A	STEP PIN	1
▲16	B08-052070262	O-RING	2	73	AA40A-031A	FEED PAWL	1
▲17	B08-041500260	O-RING	1	74	AA40A-054A	RUBBLE JACKER	1
18	AA40A-007A	ACTIVE VALVE	1	75	AA40A-020A	STEP PIN	1
▲19	AA40A-Y03A 3	DRIVER	1	76	B01-01-060350-02	SCREW	1
▲20	B08-037700350	O-RING	1	▲77	B08-009800240	O-RING	1
21	AA40A-010A	AIRPROOF ANNULUS	1	78	AA40A-030A	FEED PISTON	1
22	AA40A-011A	CYLINDER	1	▲79	B08-020800240	O-RING	1
▲23	B08-050470262	O-RING	1	80	AA40A-028A	SPRING	1
24	AA40A-012A	UNILATERAL RINGER	1	81	AA40A-029A	SPRING	1
25	AA40A-017A	BUMPER	1	82	AA40A-061A	SPRING GUIDE	1
26	AA40A-013A	CYLINDER RING	1	83	AA40A-027A	FEED PISTON STOP	1
▲27	B08-074400310	O-RING	1	84	AA40A-026A	SPRING COLLAR	1
30	AA40A-016A	BODY	1	85	B03-05-0260-02	RETAINING RING	1
32	B08-035700350	O-RING	1	86	AA40A-041A	MAGAZINE COVER	1
33	AA40A-070A	TAIL CAP	1	87	AA40A-046A	RECEIVER SPRING	1
34	AA06A-018A	AIR HOSE CONNECTOR	1	88	AA40A-Y11A1	NAIL SUPPORT	1
35	B02-030280-02	ROLL PIN	4	89	AA40A-047A	TENSSION SPRING	1
▲36	B08-016000180	O-RING	1	90	AA40A-045A	MAGAZINE POST	1
37	AA40A-039A	TRIGGER COVER	1	91	AA40A-046A	RECEIVER SPRING	1
38	AA42A-043A	TRIGGER PIN	2	92	AA40A-040A	MAGAZINE	1
▲39	B08-01 1800180	O-RING	1	93	AA40A-048A	POST RETAINER	1
▲40	B08-0 19600240	O-RING	1	94	AA40A-021A	STRAIGHT PIN	1
41	B08-005800190-10	O-RING	1	95	AA40A-054A	RUBBER JACKER	1
42	AA17D-006A	VALVE PISTON	1	96	AA40A-050A	CUSHION	1
▲43	B08-005800190	O-RING	1	97	AA40A-033A	MUZZLE COVER	1
▲44	B08-008800190	O-RING	1	98	AA40A-056A	FLAT WASHER	1
45	AA40A-062A	SPRING	1	99	B07-01-060-00	NUT	1
46	AA17D-007A	THIMBLE	1	100	B07-01-060-00	NUT	1
▲47	B08-002500140-02	O-RING	2	101	B01-01-060350-02	SCREW	1
48	AA42A-042A	VALVE	1	102	AA40A-056A	FLAT WASHER	1
49	AA42A-04 1A	THIMBLE COVER	1	109	GG08A	SHEATH	1
50	AA40A-Y14A1	TRIGGER SET	1				
51	AA40A-038A	SAFETY ORIENT	1	103	AA40A-Y0 2A2	ACTIVE VALVE SET	
53	AA40A-037A	SPRING	1	104	AA40A-Y04A3	DRIVER SET	
54	AA40A-036A	SAFETY	1	105	AA42A-Y 15A1	TRIGGER COVER SET	
55	AA40A-023A	SHUTOFF	1	106	AA42A-Y14A1	VALVE SET	
56	AA40A-024A	SPRING	1	107	AA17D-Y05A1	VALVE PISTON SET	
57	AA40A-054A	RUBBER JACKER	1	108	AA17D-Y06A1	THIMBLE SET	
58	AA40A-019A	NAIL OPPRESSOR	1	110	AA40A-Y12A1	VALVE SET	

Remark: Items with "▲" are vulnerable parts

GBA40A00304

A6