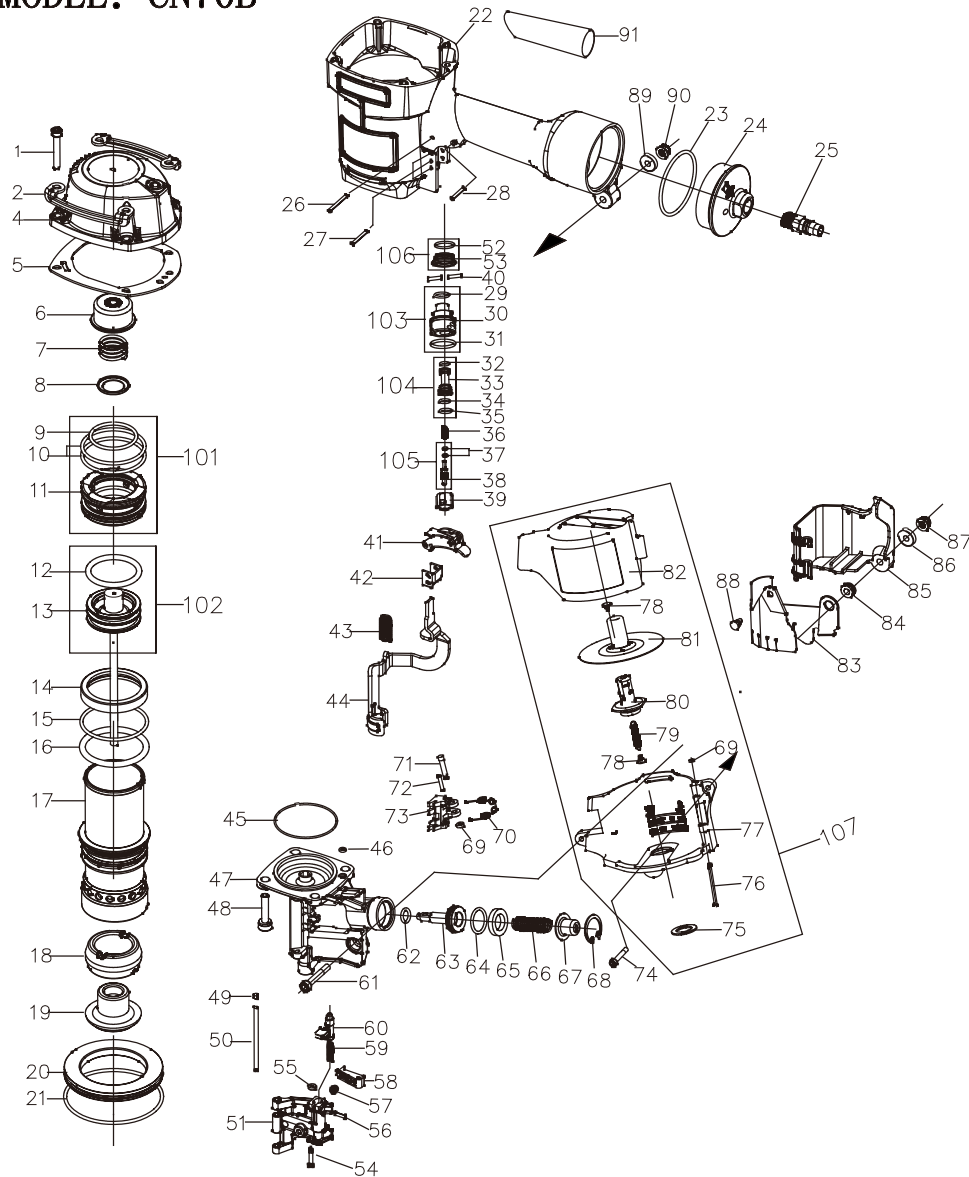


EXPLODED VIEW AND PARTS LIST

MODEL: CN70B



| ITEM NO. | PART NO. | PART NAME | Q' TY | ITEM NO. | PART NO. | PART NAME | Q' TY |
|----------|---------------------|--------------------|-------|----------|------------------|-------------------|-------|
| 1 | B01-01-060300-02 | SCREW | 4 | 51 | AA42A-029A | DOOR | 1 |
| 2 | AA42A-001A | PROTECTOR | 2 | 52 | B08-016000180 | O-RING | 1 |
| 4 | AA42A-Y13A1 | CYLINDER CAP | 1 | 53 | AA40A-039A | TRIGGER COVER | 1 |
| 5 | AA42A-003A | CYLINDER CAP SHIM | 1 | 54 | AA42A-027A | STEP PIN | 1 |
| 6 | AA42A-004A | AIRPROOF CUSHION | 1 | 55 | AA40A-054A | RUBBER JACKER | 1 |
| 7 | AA42A-005A | SPRING | 1 | 56 | B02-030120-02 | ROLL PIN | 1 |
| 8 | AA42A-006A | SPRING WASHER | 1 | 57 | AA40A-055A | SPRING | 1 |
| ▲9 | B08-041600300 | O-RING | 1 | 58 | AA42A-028A | CHECK PAWL | 1 |
| ▲10 | B08-056000300 | O-RING | 2 | 59 | AA40A-024A | SPRING | 1 |
| 11 | AA42A-007B | ACTIVE VALVE | 1 | 60 | AA40A-023A | SHUTOFF | 1 |
| ▲12 | B08-043000490 | O-RING | 1 | 61 | B01-01-060400-02 | SCREW | 1 |
| ▲13 | AA42A-Y05A3 | DRIVER | 1 | ▲62 | B08-009800240 | O-RING | 1 |
| 14 | AA42A-010A | AIRPROOF ANNULUS | 1 | 63 | AA42A-024A | FEED PISTON | 1 |
| 15 | B08-056800300 | O-RING | 1 | ▲64 | B08-020800240 | O-RING | 1 |
| 16 | B08-055600570 | O-RING | 1 | 65 | AA42A-022A | FEED PISTON STOP | 1 |
| 17 | AA42A-009A | CYLINDER | 1 | ▲66 | AA42A-023A | SPRING | 1 |
| ▲18 | AA42A-045A | BUMPER II | 1 | 67 | AA42A-021A | SPRING COLLAR | 1 |
| ▲19 | AA42A-044A | BUMPER I | 1 | 68 | B03-03-0260-02 | RETAINING RING | 1 |
| 20 | AA42A-008A | CYLINDER RING | 1 | 69 | AA40A-054A | RUBBER JACKER | 2 |
| 21 | B08-084400310 | O-RING | 1 | ▲70 | AA40A-057A | SPRING | 1 |
| 22 | AA42A-013A | BODY | 1 | 71 | AA40A-032A | STEP PIN | 1 |
| 23 | B08-057000300 | O-RING | 1 | 72 | B02-030160-02 | ROLL PIN | 2 |
| 24 | AA42A-014A | TAIL CAP | 1 | 73 | AA42A-025A | FEED PAWL | 1 |
| 25 | AA06A-018A | AIR HOSE CONNECTOR | 1 | 74 | B01-01-060350-02 | SCREW | 1 |
| 26 | B02-030320-02 | ROLL PIN | 1 | 75 | AA42B-004A | POST RETAINER | 1 |
| 27 | B02-030240-02 | ROLL PIN | 3 | 76 | AA42B-007A | PIN | 1 |
| 28 | B02-030220-02 | ROLL PIN | 1 | 77 | AA42B-001A | MAGAZINE | 1 |
| 29 | B08-011800180 | O-RING | 1 | 78 | AA40A-046A | RECEIVER, SPRING | 2 |
| 30 | AA142A-042A | VALVE | 1 | 79 | AA40A-047A | TENSION SPRING | 1 |
| 31 | B08-019600240 | O-RING | 1 | 80 | AA42B-003A | MAGAZINE POST | 1 |
| ▲32 | B08-005800190-10 | O-RING | 1 | 81 | AA42B-Y01A1 | NAIL SUPPORT | 1 |
| 33 | AA17D-006A | VALVE PISTON | 1 | 82 | AA42B-002A | MAGAZINE COVER | 1 |
| ▲34 | B08-005800190-10 | O-RING | 1 | 83 | AA42A-020A | DUST COVER | 1 |
| ▲35 | B08-008800190 | O-RING | 1 | 84 | AA40A-050A | SHIM | 1 |
| 36 | AA40A-062A | SPRING | 1 | 85 | AA42A-015A | MUZZLE COVER | 1 |
| ▲37 | B08-002500140-02 | O-RING | 2 | 86 | AA40A-056A | FLAT WASHER | 1 |
| 38 | AA17D-007A | THIMBLE | 1 | 87 | B07-01-060-00 | LOCKNUT | 1 |
| 39 | AA42A-041A | TRIGGER COVER | 1 | 88 | AA40A-035A | DUST COVER HOOK | 1 |
| 40 | AA42A-043A | TRIGGER PIN | 2 | 89 | AA40A-056A | FLAT WASHER | 1 |
| 41 | AA40A-Y13A1 | TRIGGER SET | 1 | 90 | B07-01-060-00 | LOCKNUT | 1 |
| 42 | AA42A-019A | SAFETY ORIENT | 1 | 91 | GG08A | SHEATH | 1 |
| 43 | AA42A-038A | SPRING | 1 | | | | |
| 44 | AA42A-016A | SAFETY | 1 | 101 | AA42A-Y02A2 | ACTIVE VALVE SET | |
| ▲45 | B08-057000150 | O-RING | 1 | 102 | AA42A-Y06A3 | DRIVER SET | |
| ▲46 | B08-004000150 | O-RING | 1 | 103 | AA42A-Y14A1 | VALVE CAP SET | |
| 47 | AA42A-026A | MUZZLE | 1 | 104 | AA17D-Y04A1 | VALVE PISTON SET | |
| 48 | B01-01-080300-02-NL | SCREW | 4 | 105 | AA17D-Y06A1 | THIMBLE SET | |
| 49 | AA42A-017A | RUBBER GAG | 1 | 106 | AA40A-Y15A1 | TRIGGER COVER SET | |
| 50 | AA42A-018A | STRAIGHT PIN | 1 | 107 | AA42B-Y02A1 | MAGAZINE SET | |

Remark: Items with "▲" are vulnerable parts

GBA42B00303
A5