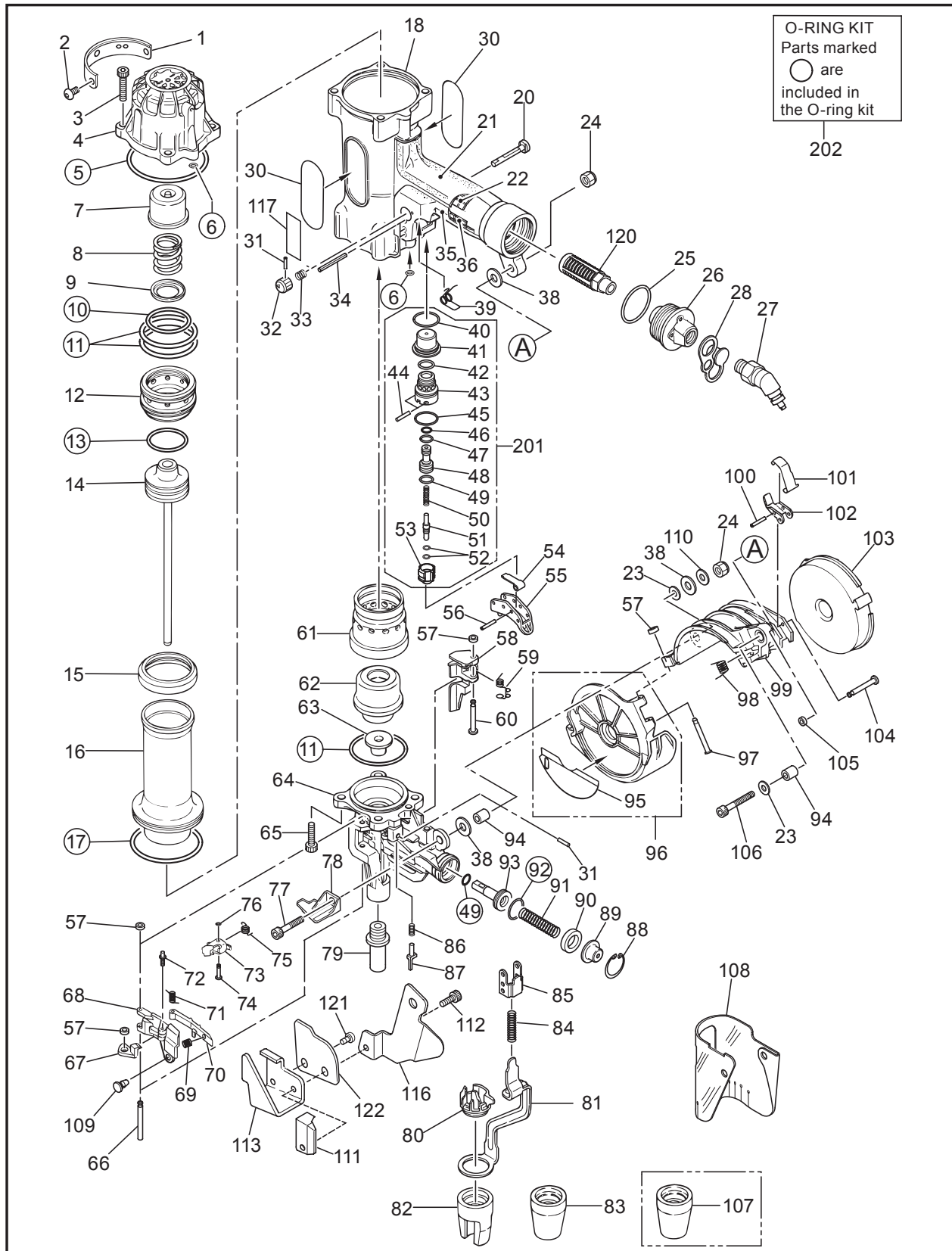


HN120



Tool Model	Part NO	Part Code	Description
HN120	1	HN10325	EXHAUST COVER
HN120	2	BB41701	SPECIAL SCREW M6X8
HN120	3	BB40227	SCREW 6X35
HN120	4	HN70095	CYLINDER CAP UNIT
HN120	5	HH14040	O-RING ARP568-040
HN120	6	HH11120	O-RING ARP568-009 CN65079
HN120	7	HN10275	PISTON STOP
HN120	8	KK23516	COMP SPRING 3516
HN120	9	CN31892	SPRING SHEET
HN120	10	HH19708	O-RING 1AP2.6X39.5
HN120	11	HH11157	O-RING ARP568-136 850006
HN120	12	HN10274	HEAD VALVE PISTON
HN120	13	HH11803	O-RING P36
HN120	14	HN10279	MAIN PISTON UNIT
HN120	15	HN10278	CYLINDER SEAL
HN120	16	HN10276	CYLINDER A
HN120	17	HH12108	O-RING AG60(FORMER HH12114)
HN120	18	HN81025	FRAME
HN120	19	HN10755	CAUTION LABEL
HN120	20	CN34088	TRIGGER LOCK LEVER
HN120	21	HN10310	GRIP COVER A
HN120	22	HN10322	BUFFER SEAT A
HN120	23	EE31105	PLAIN WASHER 1-6
HN120	24	CC00402	NUT M6
HN120	25	HH12118	O RING 1AG35
HN120	26	HN10313	END CAP
HN120	27	HN70264	AIR PLUG H-FPM (TT05425 replaced)
HN120	28	HN10316	END PLUG CAP
HN120	29	CN34309	PLASTIC SHEET LABEL (100421)
HN120	30	HN10756	NAME LABEL (HN120CE)
HN120	31	FF21201	PIN 2.5X10
HN120	32	HN10327	TRIGGER LOCK DIAL
HN120	33	KK23507	SPRING 3507
HN120	34	FF21235	SPRING PIN 3X30
HN120	35	HN10311	GRIP COVER B
HN120	36	HN10323	BUFFER SEAT B
HN120	38	HH21002	SEAL 002(REPLACES TA15262)
HN120	39	KK33189	TORSION SPRING 3189
HN120	40	HH11159	O-RING ARP568-016 86459
HN120	41	HN10326	TRIGGER VALVE CAGE
HN120	42	HH11151	O-RING ARP568-013 N10067
HN120	43	HN10283	TRIGGER VALVE HOUSING
HN120	44	FF30161	PIN 161
HN120	45	HH11138	O-RING AP20
HN120	46	HH11119	O-RING AP6 N10027
HN120	47	HH11802	O-RING P7
HN120	48	CN33627	PILOT VALVE
HN120	49	HH11113	O-RING AP9 N5528
HN120	50	KK23129	COMPRESSION SPRING 3129
HN120	51	HN10328	TRIGGER VALVE STEM
HN120	52	HH11901	O-RING 1.4 X 2.5 CN65020

Tool Model	Part NO	Part Code	Description
HN120	53	HN10284	TRIGGER VALVE CAP
HN120	54	HN10286	CONTACT LEVER
HN120	55	HN81029	TRIGGER UNIT
HN120	56	FF22402	SPRING PIN 3X16 (LIGHT LOAD)
HN120	57	EE39602	WASHER 7
HN120	58	HN10300	FEED PAWL
HN120	59	KK33190	SPRING 3190
HN120	60	FF41598	PIN 1598
HN120	61	HN10277	CYLINDER B
HN120	62	HN10282	BUMPER
HN120	63	HN10296	DRIVER GUIDE
HN120	64	HN10294	NOSE UNIT
HN120	65	BB40444	M8 X 30 HSHC SCREW
HN120	66	FF31261	PIN 1261
HN120	67	HN10302	DOOR PLATE
HN120	68	HN10301	DOOR
HN120	69	KK23376	COM. SPRING 3376
HN120	70	CT10191	SWITCH BAR
HN120	71	KK33090	COIL SPRING 3090
HN120	72	FF42214	PIN 2214(REPLACES FF42127)
HN120	73	HN10303	DOOR LEVER
HN120	74	FF41528	STEP PIN 1528
HN120	75	KK33197	SPRING 3197
HN120	76	CT10226	LEVER HOLDING RUBBER
HN120	77	BB40457	BOLT 6X38 FOR CC00402)(REPLACES BB40469)
HN120	78	HN10309	NAIL GUIDE
HN120	79	HN10297	NOSE TIP
HN120	80	HN10213	FEED FINGER RETIANER
HN120	81	HN10289	CONTACT ARM UNIT
HN120	82	HN10292	ATTACHMENT A (FOR NARROW TRACK)
HN120	83	HN10293	ATTACHMENT B (FOR WOOD SILL PLATE)
HN120	84	KK23256	COMPRESSION SPRING 3256
HN120	85	HN10287	ARM GUIDE UNIT
HN120	86	KK24072	COMP. SPRING 4072
HN120	87	HN10304	DOOR OPENING-CLOSING FINGER
HN120	88	JJ22408	C-RING 24
HN120	89	HN10299	SPRING COLLER
HN120	90	CN31755	FEED PISTON STOP
HN120	91	KK23517	COMP. SPRING 3517
HN120	92	HH11106	O-RING AP16
HN120	93	HN10298	FEED PISTON
HN120	94	FF51613	HOLLOW PIN 1613
HN120	95	HN10754	CAUTION LABEL
HN120	96	HN10732	MAGAZINE CAP
HN120	97	FF41281	PIN 1281
HN120	98	KK33218	SPRING 3218
HN120	99	HN10731	MAGAZINE HOLDER
HN120	100	FF21101	V.S. PIN 3X12
HN120	101	HN10308	MAGAZINE HOOK
HN120	102	HN10737	MAGAZINE LOCK LEVER
HN120	103	HN10736	MAGAZINE

Tool Model	Part NO	Part Code	Description
HN120	104	FF41599	PIN 1599 (REPLACES FF41587)
HN120	105	EE39609	RUBBER WASHER 1.8X6X2
HN120	106	BB71504	SCREW 6X35
HN120	107	HN10330	ATTACHMENT C UNIT (FOR METAL TRACK)
HN120	108	HN10211	DUST COVER
HN120	109	CN31083	HOOK, DUST COVER
HN120	110	CN30707	COLLAR
HN120	111	HN10501	GUIDE HOLDER
HN120	112	BB40494	SCREW M6X18
HN120	113	HN12396	NAIL NOSE GUIDE
HN120	114	HH11132	O-RING 1AP10A CN65072
HN120	115	TA17024	END CAP STEM
HN120	116	HN10753	NAIL NOSE GUIDE B
HN120	117	HN10757	TRIGGER LOCK SEAL
HN120	118	HN10758	CAUTION LABEL B
HN120	119	FF21229	W.S.PIN 3X20
HN120	120	TA17024	FILTER A
HN120	121	BB40807	BOLT 5X6
HN120	122	HN10521	NAIL NOSE GUIDE C
HN120	201	HN81032	TRIGGER VALVE KIT
HN120	202	HN81033	O-RING KIT
HN120	203	ZT99939	ATTACHEMENT D (7/8" WASHER ATTACHMENT)