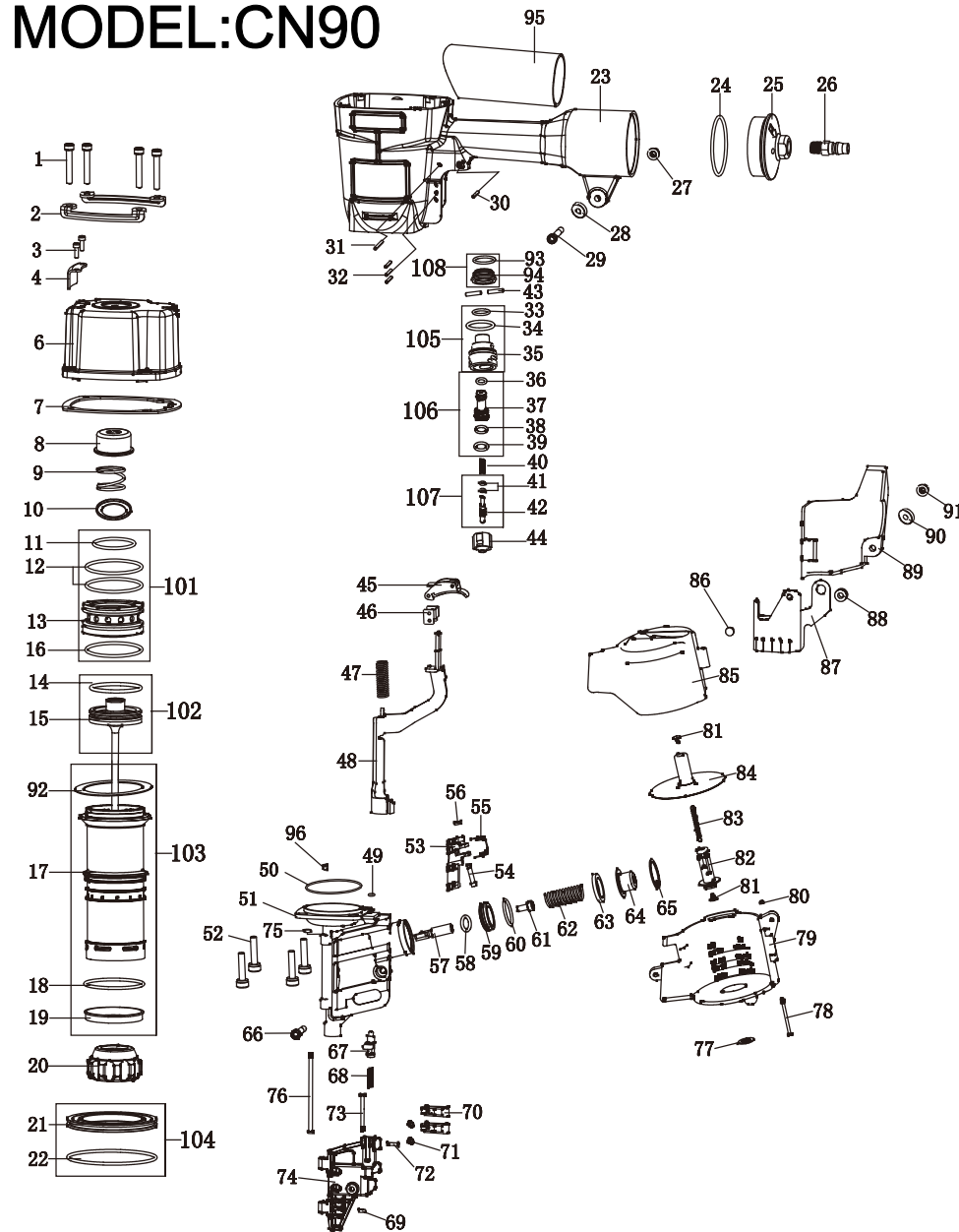


# EXPLODED VIEW AND PARTS LIST

## MODEL:CN90



ITEM NO.	PART NO	PART NAME	Q' TY	ITEM NO.	PART NO	PART NAME	Q' TY
1	B01-01-060300-02	SCREW	4	54	AA40A-032A	STEP PIN	1
2	AA76A-018A	PROTECTOR	2	▲55	AA57A-010A	SPRING	1
3	B01-01-040120-02	SCREW	2	56	AA40A-054A	RUBBER JACKER	1
4	AA61A-007A	EXHAUST COVER	1	57	AA57A-027A	PISTON STAFF	1
6	AA76A-Y09A1	CYLINDER CAP	1	▲58	B08-009800240	O-RING	1
▲7	AA76A-004A	CYLINDER CAP SEAL	1	59	AA57A-026A	PISTON	1
8	AA42A-004A	AIRPROOF CUSHION	1	▲60	B08-025070262	O-RING	1
9	AA76A-014A	SPRING	1	▲61	B01-01-060160-02-NL	SCREW	1
10	AA76A-022A	SPRING WASHER	1	62	AA57A-031A	SPRING	1
▲11	B08-041600300	O-RING	1	63	AA57A-029A	FEED PISTON STOP	1
▲12	B08-060000300	O-RING	2	64	AA57A-030A	SPRING COLLAR	1
13	AA76A-002A	ACTIVE VALVE	1	65	B03-05-0320-02	RETAINING RING	1
▲14	B08-047500530	O-RING	1	66	B01-01-060400-02	SCREW	1
▲15	AA76A-Y07A1	DRIVER	1	67	AA40A-023A	SHUTOFF	1
▲16	B08-056000355	O-RING	1	68	AA40A-024A	SPRING	1
17	AA76A-005A	CYLINDER	1	69	AA40A-054A	RUBBER JACKER	1
▲18	B08-060000300	O-RING	1	70	AA42A-028A	CHECK PAWL	1
▲19	AA76A-006A	UNILATERAL RINGER	1	71	AA40A-055A	SPRING	2
▲20	AA76A-007A	BUMPER	1	72	B02-030120-02	ROLL PIN	2
21	AA76A-003A	CYLINDER RING	1	73	AA57B-027A	STEP PIN	1
▲22	B08-092000300	O-RING	1	74	AA76A-015A	OPPRESSOR PLATE	1
23	AA76A-001A	BODY	1	75	AA40A-054A	RUBBER JACKER	1
24	B08-057000300	O-RING	1	76	AA76A-019A	STRAIGHT PIN	1
25	AA76A-023A	TAIL CAP	1	77	AA40A-048A	POST RETAINER	1
26	AK01A-023A	AIR PLUG	1	78	AA42B-007A	MAGAZINE PIN	1
27	B07-01-060-00	LOCKNUT	1	79	AA61B-001A	MAGAZINE	1
28	AA40A-056A	FLAT WASHER	2	80	AA40A-054A	RUBBER JACKER	1
29	B01-01-060400-02	SCREW	1	81	AA40A-046A	RECEIVER SPRING	1
30	B02-030240-02	ROLL PIN	1	82	AA61B-004A	MAGAZINE POST	2
31	B02-030320-02	ROLL PIN	1	83	AA40A-047A	TENSSION POST	1
32	B02-030240-02	ROLL PIN	3	84	AA61B-Y02A1	NAIL SUPPORT	1
▲33	B08-011800180	O-RING	1	85	AA61B-002A	MAGAZINE COVER	1
▲34	B08-019600240	O-RING	1	86	AA40A-035A	DUST COVER HOOK	1
35	AA42A-042A	VALVE	1	87	AA76A-012A	DUST COVER	1
▲36	B08-005800190-10	O-RING	1	88	AA40A-050A	CUSHION	1
37	AA17D-006A	VALVE PISTON	1	89	AA76A-017A	MUZZLE COVER	1
▲38	B08-005800190	O-RING	1	90	AA40A-056A	FLAT WASHER	1
▲39	B08-008800190	O-RING	1	91	B07-01-060-00	LOCKNUT	1
40	AA40A-062A	SPRING	1	92	AA76A-021A	SHIM	1
▲41	B08-002500140-02	O-RING	2	▲93	B08-016000180	O-RING	1
42	AA17D-007A	THIMBLE	1	94	AA40A-039A	TRIGGER COVER	1
43	AA42A-043A	TRIGGER PIN	2	95	GG08A	SHEATH	1
44	AA42A-041A	THIMBLE COVER	1	96	B01-04-050050-02	SCREW	1
45	AA40A-Y14A1	TRIGGER SET	1				
46	AA42A-019A	SAFETY GUIDE	1	101	AA76A-Y02A1	ACTIVE VALVE SET	
47	AA42A-038A	SPRING	1	▲102	AA76A-Y06A1	DRIVER SET	
48	AA76A-016A	SAFETY	1	103	AA76A-Y05A1	CYLINDER SET	
▲49	B08-004000150	O-RING	1	104	AA76A-Y04A1	CYLINDER RING SET	
▲50	B08-063220178	O-RING	1	105	AA42A-Y14A1	VALVE SET	
51	AA76A-013A	MUZZLE	1	106	AA17D-Y05A1	VALVE PISTON SET	
52	B01-01-080300-02-NL	SCREW	4	107	AA17D-Y06A1	THIMBLE SET	
53	AA76A-020A	FEED PAWL	1	108	AA40A-Y15A1	VALVE SET	

Remark: Items with "▲" are vulnerable parts

GBA76A00301 B4