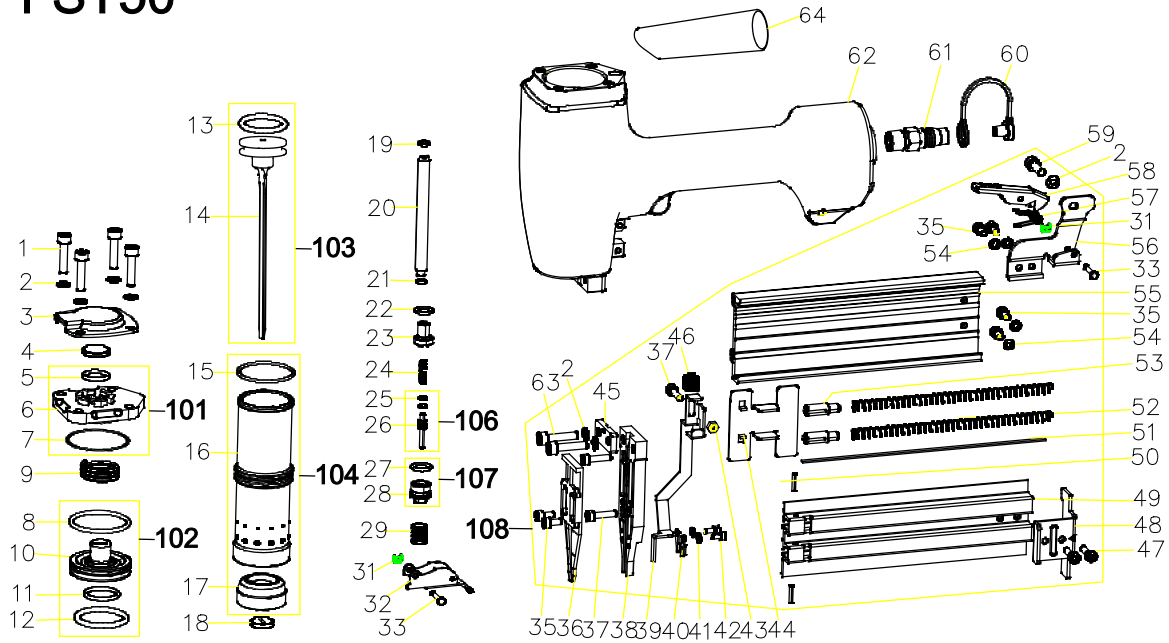


# SERIES EXPLODED VIEWS OF NAILER

## FST50



ITEM NO.	PART NO.	PART NAME	Q' TY	ITEM NO.	PART NO.	PART NAME	Q' TY
1	B01-01-050220-02	SCREW	6	38	AA13B-014E	MUZZLE	1
2	B04-01-050-02	SPRING WASHER	7	39	AA13B-028B	HUMPER	1
3	AA13B-001A	EXHAUST COVER	1	40	AA13B-015A	SAFETY ORIENT	1
4	AA13B-003A	AIRPROOF CUSHION	1	41	B04-01-030-02	SPRING WASHER	2
5	B08-013800240	O-RING	1	42	B01-01-030060-02	SCREW	2
6	AA13B-004A	CYLINDER CAP	1	43	B07-01-040-00	LOCKNUT	1
7	B08-040000100	O-RING	1	44	AA13B-016A	PUSHER	1
8	B08-036170262	O-RING	1	45	AA08A-002A	OPPRESSOR	1
9	AA13B-002A	SPRING	1	46	AA13B-010A	SPRING	1
10	AA13B-005A	ACTIVE VALVE	1	47	B01-01-040140-02	SCREW	2
11	B08-019600240	O-RING	1	48	AA13B-022A	ORIENTATION PLATE	1
12	B08-029700350	O-RING	1	49	AA13B-021A	SMALL NAIL TROUGH	1
13	B08-025700350	O-RING	1	50	B02-025120-02	PIN	2
14	AA13B-Y14A4	DRIVER	1	51	AA13B-018A	RAIL	1
15	B08-035500180	O-RING	1	52	AA13B-020A	SPRING	2
16	AA13B-006A	CYLINDER	1	53	AA17A-032A	PUSHER FIXITY	2
17	AA13B-007A	BUMPER	1	54	B04-01-040-02	SPRING WASHER	4
18	AA13B-008A	GAG	1	55	AA13B-017A	BIG NAIL TROUGH	1
19	B08-003800190	O-RING	1	56	AA13B-024A	LINK	1
20	AA13B-009A	AIR CONDUIT	1	57	AA17A-026A	TORSION SPRING	1
21	B08-003500160	O-RING	1	58	AA13B-023A	FASTENER	1
22	B08-008750180	O-RING	1	59	B01-01-050160-02	SCREW	1
23	AA13A-012A	VALVE	1	60	AA17A-035A	DUST CAP	1
24	AA13A-014A	SPRING	1	61	AA06A-018A	AIR HOSE CONNECTOR	1
25	B08-002500150	O-RING	1	62	AA13B-025A	BODY	1
26	AA13A-013A	THIMBLE	1	63	B01-01-050250-02	SCREW	1
27	B08-010000200	O-RING	2	64	GG08A	SHEATH	1
28	AA13A-015A	VALVE CAP	1				
29	AA06A-016A	SPRING	1	101	AA13B-Y03A1	CYLINDER CAP SET	
31	B03-01-0025-02	E-RING	2	102	AA13B-Y04A1	ACTIVE VALVE SET	
32	AA13B-Y11A1	TRIGGER SET	1	103	AA13B-Y01A4	DRIVER SET	
33	B05-028150-04	PIN	2	104	AA13B-Y02A1	CYLINDER SET	
35	B01-01-040080-02	SCREW	6	106	AA13A-Y12A1	THIMBLE SET	
36	AA13B-013B	MUZZLE COVER	1	107	AA13A-Y11A1	VALVE CAP SET	
37	B01-01-040160-02	SCREW	3	108	AA13B-Y06A1	MAGAZINE SET	