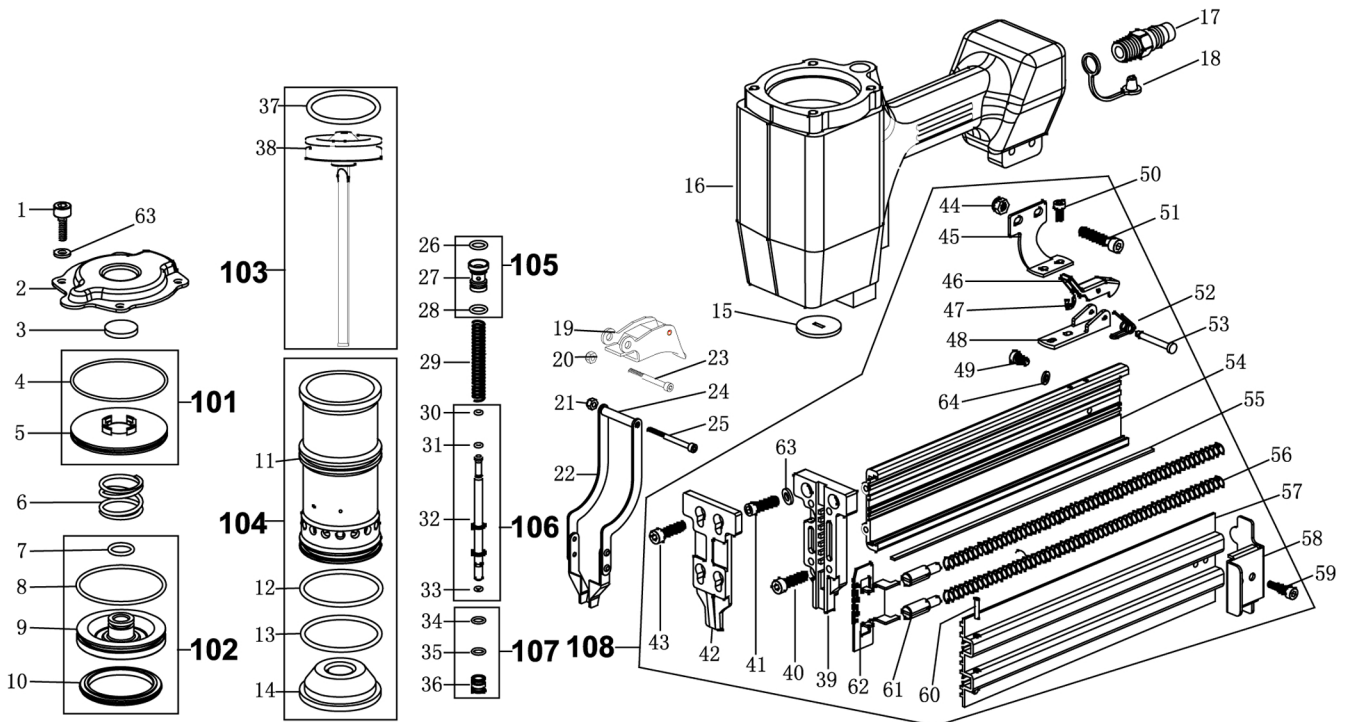


EXPLODED VIEW AND PARTS LIST

MODEL: ST64



ITEM NO.	PART NO.	PART NAME	Q' TY	ITEM NO.	PART NO.	PART NAME	Q' TY
1	B01-01-060160-02	SCREW	4	▲38	AA17A-Y06A2	DRIVER	1
2	AA17A-002A	EXHAUST COVER	1	39	AA17A-023C	MUZZLE	1
▲3	AA17A-003A	AIRPROOF CUSHION	1	40	B01-01-050160-02	SCREW	2
4	B08-063000200	O-RING	1	41	B01-01-060250-02-NL	SCREW	2
5	AA17A-004A	ACTIVE VALVE CAP	1	42	AA17A-020A	MUZZLE COVER	1
▲6	AA17A-005A	SPRING	1	43	B01-01-050160-02	SCREW	4
▲7	B08-013800240	O-RING	1	44	B07-01-050-04	LOCKNUT	2
▲8	B08-058000250	O-RING	1	45	AA17A-027A	LINK	1
9	AA17A-006A	ACTIVE VALVE	1	46	AA17A-024A	FASTENER	1
10	AA17A-007A	ACTIVE VALVE SHIM	1	47	B03-01-0025-02	E-RING	1
11	AA17A-008B	CYLINDER	1	48	AA17A-025A	SCREW	1
12	B08-055000250	O-RING	1	49	B01-01-040100-02	SCREW	1
13	B08-053000200	O-RING	1	50	B01-01-040100-02	SCREW	2
▲14	AA17A-009A	BUMPER	1	51	B01-01-050200-02	SCREW	2
15	AA17A-010A	GAG	1	52	AA17A-026A	TORSION SPRING	1
16	AA17A-001A	BODY	1	53	B05-029170-04	PIN	1
17	AA06A-018A	AIR HOSE CONNECTOR	1	54	AA17A-028A	BIG NAIL TROUGH	1
18	AA17A-035A	DUST CAP	1	55	AA17A-029A	RAIL	1
19	AA17A-Y01A1	TRIGGER SET	1	▲56	AA17A-033A	SPRING	2
20	B07-01-040-04	LOCKNUT	1	57	AA17A-030A	SMALL NAIL TROUGH	1
21	B07-01-040-04	LOCKNUT	1	58	AA17A-034B	ORIENTATION PLATE	1
22	AA17A-Y02A1	SAFETY	1	59	B01-01-040160-02	SCREW	2
23	B01-01-040400-02	SCREW	1	60	B02-025130-02	ROLL PIN	2
24	AA17A-017A	SLEEVE	1	61	AA17A-032A	PUSHER FIXITY	2
25	B01-01-040450-02	SCREW	1	62	AA17A-031A	PUSHER	1
26	B08-008750180	O-RING	1	63	B04-01-060-02	SPRING WASHER	6
27	AA17A-011A	UP AIR CONDUIT	1	64	B04-01-040-02	SPRING WASHER	1
28	B08-008750180	O-RING	1				
▲29	AA17A-012A	SPRING	1	101	AA17A-Y11A1	ACTIVE VALVE CAP SET	
▲30	B08-002800190	O-RING	1	102	AA17A-Y09A1	ACTIVE VALVE SET	
▲31	B08-002800190	O-RING	1	103	AA17A-Y03A2	DRIVER SET	
32	AA17A-013A	THIMBLE	1	104	AA17A-Y10A1	CYLINDER SET	
▲33	B08-002800190	O-RING	1	105	AA17A-Y12A1	UP AIR CONDUIT SET	
34	B08-006500150	O-RING	1	106	AA17A-Y13A1	THIMBLE SET	
35	B08-006500150	O-RING	1	107	AA17A-Y14A1	DOWN AIR CONDUIT SET	
36	AA17A-014A	DOWN AIR CONDUIT	1	108	AA17A-Y04A1	MAGAZINE SET	
▲37	B08-044700350	O-RING	1				

Remark: Items with "▲" are vulnerable parts

GBA17A00302

A3