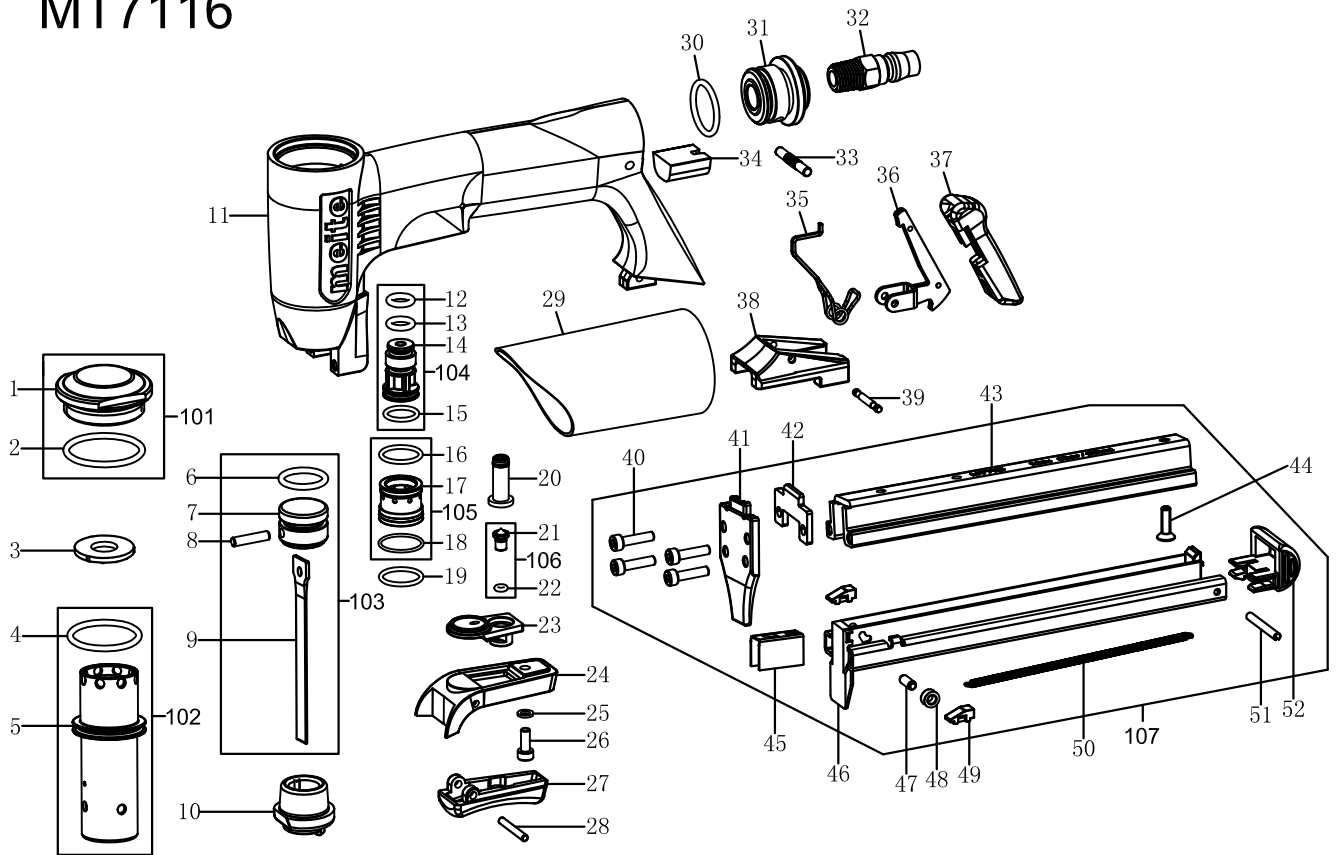


# SERIES EXPLODED VIEWS OF NAILER

## MT7116



ITEM NO.	PART NO.	PART NAME	Q' TY	ITEM NO.	PART NO.	PART NAME	Q' TY
1	AA34G-001A	EXHAUST COVER	1	33	AA33J-017A	RIVET	1
2	B08-031420262	O-RING	1	34	AA33J-018A	SILENCER	1
3	AA33J-002A	AIRPROOF CUSHION	1	35	AA33J-019A	LEG SPRING	1
4	B08-026640262	O-RING	1	36	AA33J-Y09A1	LOCKING PAWL	1
5	AA34G-003A	CYLINDER	1	37	AA33J-022A	FASTENER TRIGGER	1
6	B08-017120262	O-RING	1	38	AA33J-023A	FASTENER COVER	1
7	AA33J-004A	DRIVER HEAD	1	39	AA33J-024A	FASTENER PIN	1
8	AA09B-034A	RIVET	1	40	B01-01-040160-02	SCREW	4
9	AA34G-002A	DRIVER	1	41	AA34G-004A	MUZZLE COVER	1
10	AA33J-007B	BUMPER	1	42	AA33J-025A	SHIM	1
11	AA33J-008A	BODY	1	43	AA34G-005A	NAIL TROUGH	1
12	B08-007600262-10	O-RING	1	44	B01-02-040120-02	FLAT SCREW	1
13	B08-008000250	O-RING	1	45	AA34G-010A	PUSHER	1
14	AA33J-009A	ACTIVE VALVE	1	46	AA34G-Y08A1	PROPELLENT SOLDER	1
15	B08-012500180	O-RING	1	47	AA34G-009A	AXLETREE	1
16	B08-016000180	O-RING	1	48	AA33J-033A	PULLEY	1
17	AA33J-010A	ACTIVE VALVE PISTON	1	49	AA33J-032A	STOP BLOCK	2
18	B08-016000130	O-RING	1	50	AA33J-038A	SPRING	1
19	B08-016400180	O-RING	1	51	B02-030280-02	ROLL PIN	1
20	AA33J-011A	AIR CONDUIT	1	52	AA33J-036A	END PIECE	1
21	AA33J-012A	THIMBLE	1				
22	B08-002500180	O-RING	1				
23	AA33J-013A	VALVE	1				
24	AA33J-014A	VALVE COVER	1				
25	B04-02-040-01	PLAIN WASHER	1				
26	B01-01-040120-02	SCREW	1	101	AA34G-Y01A1	EXHAUST COVER SET	
27	AA33J-015A	TRIGGER	1	102	AA34G-Y04A1	CYLINDER SET	
28	AA33J-039A	TRIGGER PIN	1	103	AA34G-Y02A1	DRIVER SET	
29	GG07A	SHEATH	1	104	AA33J-Y05A1	ACTIVE VALVE SET	
30	B08-021000250	O-RING	1	105	AA33J-Y06A1	ACTIVE VALVE PISTON SET	
31	AA33J-016A	TAIL CAP	1	106	AA33J-Y07A1	SHIMBLE SET	
32	AA06A-018A	AIR HOSE CONNECTOR	1	107	AA34G-Y10A1	MAGAZINE SET	