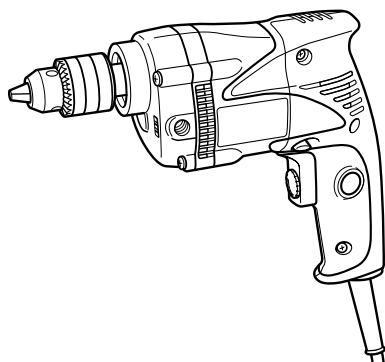


HITACHI

Drill
Bohrmaschine
Δραπάνο
Wiertarka
Fúrógép
Vrtačka
Matkap
Электродрель

D 10VC2



Read through carefully and understand these instructions before use.

Diese Anleitung vor Benutzung des Werkzeugs sorgfältig durchlesen und verstehen.

Διαβάστε προσεκτικά και κατανοήσετε αυτές τις οδηγίες πριν τη χρήση.

Przed użytkowaniem należy dokładnie przeczytać niniejszą instrukcję i zrozumieć jej treść.

Használat előtt olvassa el figyelmesen a használati utasítást.

Před použitím si pečlivě přečtěte tento návod a ujistěte se, že mu dobře rozumíte.

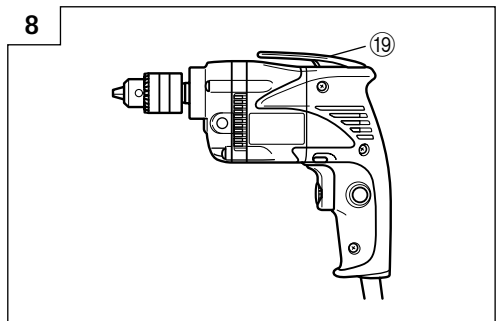
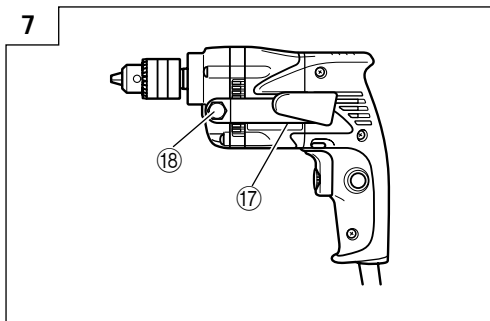
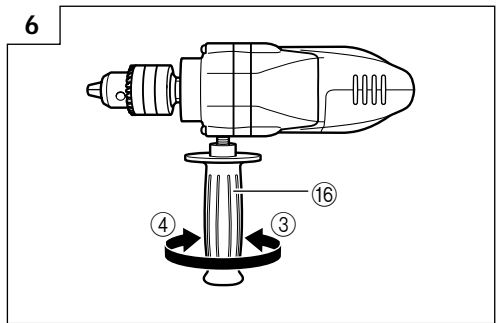
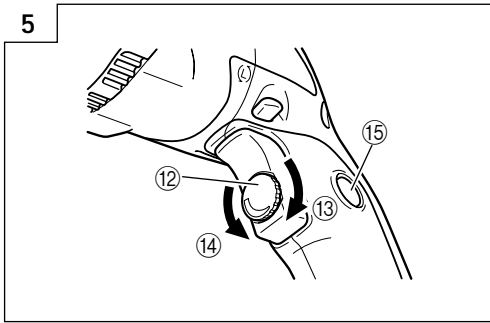
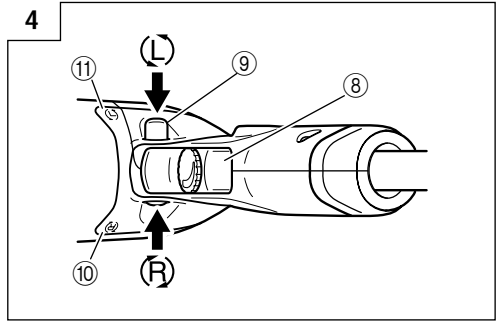
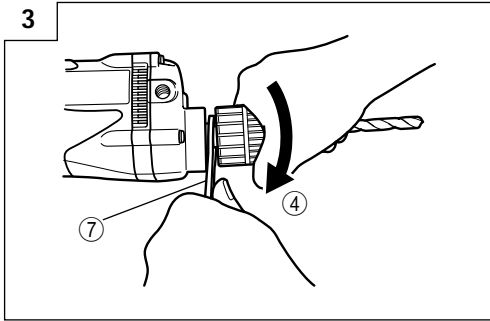
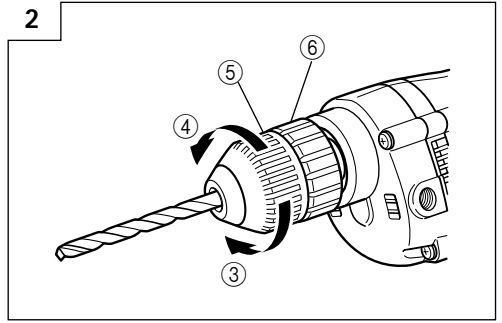
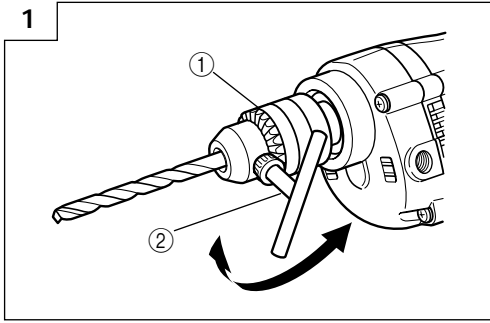
Alet kullanmadan önce bu kılavuzu iyice okuyun ve talimatları anlayın.

Внимательно прочтите данную инструкцию по эксплуатации прежде чем пользоваться инструментом.



Handling instructions
Bedienungsanleitung
Οδηγίες χειρισμού
Instrukcja obsługi
Kezelési utasítás
Návod k obsluze
Kullanım talimatları
Инструкция по эксплуатации

Hitachi Koki



	English	Deutsch	Ελληνικά	Polski
①	Drill chuck	Bohrfutter	Σφικτήρας δραπάνου	Uchwyt wiertarski
②	Chuck wrench	Futterschlüssel	Κλειδί σφικτήρα	Klucz do uchwytu wiertarskiego
③	Tighten	Anziehen	Σφίξτε	Dokręcanie
④	Loosen	Lösen	Χαλαρώστε	Luzowanie
⑤	Sleeve	Manschette	Συνδετικός δακτύλιος	Tuleja
⑥	Ring	Ring	Δακτύλιος	Pierścień
⑦	Open end wrench	Maulschlüssel	Κλειδί με ένα ελεύθερο άκρο	Klucz płaski
⑧	Switch trigger	Abzugschalter	Σκανδάλη διακόπτης	Spust włącznika
⑨	Push button	Druckknopf	Κουμπί ώθησης	Przycisk
⑩	(R) mark	Markierung (R)	(R) σημάδι	Symbol (R)
⑪	(L) mark	Markierung (L)	(L) σημάδι	Symbol (L)
⑫	Speed control dial	Drehzahlskala	Καντράν ελέγχου ταχύτητας	Pokrętko kontroli prędkości
⑬	High speed	Hohe Drehzahl	Υψηλή ταχύτητα	Duża prędkość
⑭	Low speed	Niedrige Drehzahl	Χαμηλή ταχύτητα	Mała prędkość
⑮	Stopper	Stopper	Στόπερ	Zatyczka
⑯	Side handle	Seitengriff	Πλευρική λαβή	Uchwyt boczny
⑰	Hook	Haken	Γάντζος	Haczyk
⑱	M10 Bolt	M10-Schraube	M10 Μπουλόνι	Sworzeń mocujący M10
⑲	Hook (A)	Haken (A)	Γάντζος (A)	Haczyk (A)

	Magyar	Čeština	Türkçe	Русский
①	Fúrótokmány	Skličidlo vrtačky	Mandren	Зажимной патрон сверла
②	Tokmánykulcs	Klíč pro dotahování skličidla	Mandren ucu	Патронный гаечный ключ
③	Megszorítani	Dotázení	Sıkıştır	Затянуть
④	Meglazítani	Povolení	Gevşet	Ослабить
⑤	Karmantyú	Pouzdro	Segman	Обод
⑥	Gyűrű	Kroužek	Halka	Кольцо
⑦	Villáskulcs	Plochý klíč	Açık uçlu anahtar	Гаечный ключ с открытым зевом
⑧	Kapcsoló	Spínač	Anahtar	Пускатель переключателя
⑨	Nyomógomb	Tlačítko	Kilit iğnesi	Нажимная кнопка
⑩	(R) - jobbra forgásirány-jelölés	Značka (R)	(R) işareti	(R) метка
⑪	(L) - balra forgásirány-jelölés	Značka (L)	(L) işareti	(L) метка
⑫	Fordulatszám szabályzó	Ovladač otáček	Hız kontrol düğmesi	Диск регулировки скорости
⑬	Magas fordulatszám	Vysoké otáčky	Yüksek hız	Высокая скорость
⑭	Alacsony fordulatszám	Nizké otáčky	Düşük hız	Низкая скорость
⑮	Ütköző	Doraz	Durdurucu	Стопор
⑯	Oldalfogantyú	Boční rukojeť	Yan kol	Боковая рукоятка
⑰	Akasztó	Hák	Askı	Крючок
⑱	M10 csavar	Šroub M10	M10 Somun	Болт M10
⑲	Akasztó (A)	Hák (A)	Askı (A)	Крючок (A)

GENERAL SAFETY RULES

WARNING!**Read all instructions**

Failure to follow all instructions listed below may result in electric shock, fire and/or serious injury.

The term "power tool" in all of the warnings listed below refers to your mains operated (corded) power tool or battery operated (cordless) power tool.

SAVE THESE INSTRUCTIONS**1) Work area**

- a) **Keep work area clean and well lit.**
Cluttered and dark areas invite accidents.
- b) **Do not operate power tools in explosive atmospheres, such as in the presence of flammable liquids, gases or dust.**
Power tools create sparks which may ignite the dust of fumes.
- c) **Keep children and bystanders away while operating a power tool.**
Distractions can cause you to lose control.

2) Electrical safety

- a) **Power tool plugs must match the outlet.**
Never modify the plug in any way.
Do not use any adapter plugs with earthed (grounded) power tools.
Unmodified plugs and matching outlets will reduce risk of electric shock.
- b) **Avoid body contact with earthed or grounded surfaces such as pipes, radiators, ranges and refrigerators.**
There is an increased risk of electric shock if your body is earthed or grounded.
- c) **Do not expose power tools to rain or wet conditions.**
Water entering a power tool will increase the risk of electric shock.
- d) **Do not abuse the cord. Never use the cord for carrying, pulling or unplugging the power tool.**
Keep cord away from heat, oil, sharp edges or moving parts.
Damaged or entangled cords increase the risk of electric shock.
- e) **When operating a power tool outdoors, use an extension cord suitable for outdoor use.**
Use of a cord suitable for outdoor use reduces the risk of electric shock

3) Personal safety

- a) **Stay alert, watch what you are doing and use common sense when operating a power tool.**
Do not use a power tool while you are tired or under the influence of drugs, alcohol or medication.
A moment of inattention while operating power tools may result in serious personal injury.
- b) **Use safety equipment. Always wear eye protection.**
Safety equipment such as dust mask, non-skid safety shoes, hard hat, or hearing protection used for appropriate conditions will reduce personal injuries.
- c) **Avoid accidental starting. Ensure the switch is in the off position before plugging in.**
Carrying power tools with your finger on the switch or plugging in power tools that have the switch on invites accidents.

- d) **Remove any adjusting key or wrench before turning the power tool on.**
A wrench or a key left attached to a rotating part of the power tool may result in personal injury.

- e) **Do not overreach. Keep proper footing and balance at all times.**

This enables better control of the power tool in unexpected situations.

- f) **Dress properly. Do not wear loose clothing or jewellery. Keep your hair, clothing and gloves away from moving parts.**

Loose clothes, jewellery or long hair can be caught in moving parts.

- g) **If devices are provided for the connection of dust extraction and collection facilities, ensure these are connected and properly used.**

Use of these devices can reduce dust related hazards.

4) Power tool use and care

- a) **Do not force the power tool. Use the correct power tool for your application.**

The correct power tool will do the job better and safer at the rate for which it was designed.

- b) **Do not use the power tool if the switch does not turn it on and off.**

Any power tool that cannot be controlled with the switch is dangerous and must be repaired.

- c) **Disconnect the plug from the power source before making any adjustments, changing accessories, or storing power tools.**

Such preventive safety measures reduce the risk of starting the power tool accidentally.

- d) **Store idle power tools out of the reach of children and do not allow persons unfamiliar with the power tool or these instructions to operate the power tool.**

Power tools are dangerous in the hands of untrained users.

- e) **Maintain power tools. Check for misalignment or binding of moving parts, breakage of parts and any other condition that may affect the power tools operation.**

If damaged, have the power tool repaired before use.

Many accidents are caused by poorly maintained power tools.

- f) **Keep cutting tools sharp and clean.**

Properly maintained cutting tools with sharp cutting edges are less likely to bind and are easier to control.

- g) **Use the power tool, accessories and tool bits etc., in accordance with these instructions and in the manner intended for the particular type of power tool, taking into account the working conditions and the work to be performed.**

Use of the power tool for operations different from intended could result in a hazardous situation.

5) Service

- a) **Have your power tool serviced by a qualified repair person using only identical replacement parts.**

This will ensure that the safety of the power tool is maintained.

PRECAUTION

Keep children and infirm persons away.

When not in use, tools should be stored out of reach of children and infirm persons.

PRECAUTIONS ON USING DRILL

1. Wear ear protectors with impact drills.
Exposure to noise can cause hearing loss.
2. Use auxiliary handles supplied with the tool.
Loss of control can cause personal injury.
3. Hold the drill securely when using.
4. Do not wear gloves made of stuff liable to roll up such as cotton, wool, cloth or string, etc.
5. Prior to drilling into walls, ceilings or floors, ensure there are no electric cables or conduits inside.

SPECIFICATIONS

Voltage (by areas)*		(110V, 220V, 230V, 240V) ~	
Power input		460W*	
No load speed		0-2300 min ⁻¹	
Drill chuck capacity		10 mm	
Capacity	Steel	Twist Bit	10 mm
	Wood	Flat Spade Bit	25 mm
		Auger Bit	16 mm
Weight (without cord)		1.3 kg	

*Be sure to check the nameplate on product as it is subject to change by areas.

STANDARD ACCESSORIES

- Chuck wrench (Spec. only for keyed chuck) 1
Standard accessories are subject to change without notice.

OPTIONAL ACCESSORIES (sold separately)

- (1) Side handle
- (2) Hook
- (3) Hook (A)

Optional accessories are subject to change without notice.

APPLICATIONS

- Boring holes in metal, wood and plastic.

PRIOR TO OPERATION

1. **Power source**
Ensure that the power source to be utilized conforms to the power requirements specified on the product nameplate.
2. **Power switch**
Ensure that the power switch is in the OFF position. If the plug is connected to a receptacle while the power switch is in the ON position, the power tool will start operating immediately, inviting serious accident.
3. **Extension cord**
When the work area is removed from the power source. Use an extension cord of sufficient thickness and rated capacity. The extension cord should be kept as short as practicable.
4. **Selecting the appropriate drill bit:**
 - When boring metal or plastic
Use ordinary metalworking drill bits.
 - When boring wood
Use ordinary woodworking drill bits.
However, when drilling 6.5 mm or smaller holes, use a metalworking drill bit.

5. Mounting and dismounting of the bit

For keyed chuck (Fig. 1)

- (1) Open the chuck jaws, and insert the bit into the chuck.
- (2) Place the chuck wrench in each of the three holes in the chuck, and turn it in the clockwise direction (viewed from the front side). Tighten securely.
- (3) To remove the bit, place the chuck wrench into one of the holes in the chuck and turn it in the counterclockwise direction.

For keyless chuck (Fig. 2)

- (1) Open the chuck jaws, and insert the bit into the chuck.
To open the chuck jaws, hold the ring while turning the sleeve in the counterclockwise direction (viewed from the front side).
- (2) Firmly grasp the ring and turn the sleeve in the clockwise direction. Tighten securely.
- (3) To remove the bit, firmly grasp the ring and turn the sleeve in the counterclockwise direction.
- (4) If it is hard to loosen the sleeve, fix the spindle using the open-end wrench, hold the sleeve firmly, and turn it in the loosening direction (counterclockwise when viewed from the front). (Fig. 3)
6. **Check the rotational direction (Fig. 4)**
The bit rotates clockwise (viewed from the rear side) by pushing the R-side of the push button. The L-side of the push button is pushed to turn the bit counterclockwise.
(The (L) and (R) marks are provided on the body.)
7. **Installing the side handle (Optional accessory)**
A Side handle can be installed on either side of the tool for right or left handed use.
To install the side handle, thread it into the socket on the desired side of the gear cover and tighten it securely. (Fig. 6)

8. Attaching the hook. (Optional accessory)

For hook (side-attaching) (Fig. 7)

Fix the hook firmly on the desired side of the gear cover using M10 bolt which is supplied with hook.

For hook (A) (top-attaching) (Fig. 8)

To attach the hook (A), it is necessary to disassemble the handle portion which covered the tool's electrical system. For your continued safety and electrical shock protection, installing the hook (A) on this drill should ONLY be performed by a Hitachi Authorized Service Center.

CAUTION:

- When the power tool is used with a hook fixed to it, pay attention to the following points:
 - Before hanging the main unit from the waist belt, make sure that the drill has come to a complete stop.
 - While it is suspended from the waist belt, the power plug must be disconnected from the power source.
 - Do not walk about with the power tool hanging from the waist belt.
 - In the case of operation in a high place, it is dangerous to drop the tool accidentally. If the hook is deformed or hung from the wrong position, there is danger that the hook will slip off and the tool will fall.
 - Be careful to avoid danger.
 - In making a through hole, the power tool sometimes shakes violently when the workpiece is pierced, from example. Be careful you are not hurt by the hook even if such situation happens.

HOW TO USE

1. Switch operation

- When the trigger is depressed, the tool rotates. When the trigger is released, the tool stops.
- The rotational speed of the drill can be controlled by varying the amount that the trigger switch is pulled. Speed is low when the trigger switch is pulled slightly and increases as the trigger switch is pulled more.
- The desired rotation speed can be pre-selected with the speed control dial.
- Turn the speed control dial clockwise for higher speed and counterclockwise for lower speed. (Fig. 5)
- Pulling the trigger and pushing the stopper, it keeps the switched-on condition which is convenient for continuous running. When switching off, the stopper can be disconnected by pulling the trigger again.

2. Drilling

- When drilling, start the drill slowly, and gradually increasing speed as you drill.
- Always apply pressure in a straight line with the bit. Use enough pressure to keep drilling, but do not push hard enough to stall the motor or deflect the bit.
- To minimize stalling or breaking through the material, reduce pressure on drill and ease the bit through the last part of the hole.
- If the drill stalls, release the trigger immediately, remove the bit from the work and start again. Do

not click the trigger on and off in an attempt to start a stalled drill. This can damage the drill.

- The larger the drill bit diameter, the larger the reactive force on your arm.
- Be careful not to lose control of the drill because of this reactive force.
- To maintain firm control, establish a good foothold, use side handle, hold the drill tightly with both hands, and ensure that the drill is vertical to the material being drilled.

MAINTENANCE AND INSPECTION

1. Inspecting the drill bits

Since use of an abraded drill bits will cause motor malfunctioning and degraded efficiency, replace the drill bits with a new one or resharping without delay when abrasion is noted.

2. Inspecting the mounting screws

Regularly inspect all mounting screws and ensure that they are properly tightened. Should any of the screws be loose, retighten them immediately. Failure to do so could result in serious hazard.

3. Maintenance of the motor

The motor unit winding is the very "heart" of the power tool. Exercise due care to ensure the winding does not become damaged and/or wet with oil or water.

4. Inspecting the carbon brushes

For your continued safety and electrical shock protection, carbon brush inspection and replacement on this tool should ONLY be performed by a Hitachi Authorized Service Center.

5. Service parts list

A: Item No.
B: Code No.
C: No. Used
D: Remarks

CAUTION

Repair, modification and inspection of Hitachi Power Tools must be carried out by a Hitachi Authorized Service Center.

This Parts List will be helpful if presented with the tool to the Hitachi Authorized Service Center when requesting repair or other maintenance.

In the operation and maintenance of power tools, the safety regulations and standards prescribed in each country must be observed.

MODIFICATION

Hitachi Power Tools are constantly being improved and modified to incorporate the latest technological advancements.

Accordingly, some parts (i.e. code numbers and/or design) may be changed without prior notice.

NOTE

Due to HITACHI's continuing program of research and development, the specifications herein are subject to change without prior notice.

Information concerning airborne noise and vibration

The measured values were determined according to EN60745 and declared in accordance with ISO 4871.

Measured A-weighted sound pressure level: 75 dB (A)
Uncertainty KpA: 3 dB (A).

Wear ear protection.

The typical weighted root mean square acceleration value:
2.5 m/s².

ALLGEMEINE SICHERHEITSMASSNAHMEN

WARNUNG!

Lesen Sie sämtliche Hinweise durch

Wenn nicht sämtliche nachstehenden Anweisungen befolgt werden, kann es zu Stromschlag, Brand und/oder ernsthaften Verletzungen kommen.

Der Begriff „Elektrowerkzeug“ bezieht sich in den folgenden Warnhinweisen auf Elektrowerkzeuge mit Netz- (schnurgebunden) oder Akkubetrieb (schnurlos).

BEWAHREN SIE DIESE ANWEISUNGEN AUF

1) Arbeitsbereich

- a) Sorgen Sie für einen sauberen und gut ausgeleuchteten Arbeitsbereich.
Zugestellte und dunkle Bereiche ziehen Unfälle förmlich an.
- b) Verwenden Sie Elektrowerkzeuge niemals an Orten, an denen Explosionsgefahr besteht – zum Beispiel in der Nähe von leicht entflammaren Flüssigkeiten, Gasen oder Stäuben.
Bei der Arbeit mit Elektrowerkzeugen kann es zu Funkenbildung kommen, wodurch sich Stäube oder Dämpfe entzünden können.
- c) Sorgen Sie bei der Arbeit mit Elektrowerkzeugen dafür, dass sich keine Zuschauer (insbesondere Kinder) in der Nähe befinden.
Wenn Sie abgelenkt werden, können Sie die Kontrolle über das Werkzeug verlieren.

2) Elektrische Sicherheit

- a) Elektrowerkzeuge müssen mit passender Stromversorgung betrieben werden.
Nehmen Sie niemals irgendwelche Änderungen am Anschlussstecker vor.
Verwenden Sie bei Elektrowerkzeugen mit Schutzkontakt (geerdet) niemals Adapterstecker.
Stecker im Originalzustand und passende Steckdosen reduzieren das Stromschlagrisiko.
- b) Vermeiden Sie Körperkontakt mit geerdeten Gegenständen wie Rohrleitungen, Heizungen, Herden oder Kühlschränken.
Bei Körperkontakt mit geerdeten Gegenständen besteht ein erhöhtes Stromschlagrisiko.
- c) Setzen Sie Elektrowerkzeuge niemals Regen oder sonstiger Feuchtigkeit aus.
Wenn Flüssigkeiten in ein Elektrowerkzeug eindringen, erhöht sich das Stromschlagrisiko.
- d) Verwenden Sie die Anschlusschnur nicht missbräuchlich. Tragen Sie das Elektrowerkzeug niemals an der Anschlusschnur, ziehen Sie es nicht damit heran und ziehen Sie den Stecker nicht an der Anschlusschnur aus der Steckdose. Halten Sie die Anschlusschnur von Hitzequellen, Öl, scharfen Kanten und beweglichen Teilen fern.
Beschädigte oder verdrehte Anschlusschnüre erhöhen das Stromschlagrisiko.
- e) Wenn Sie ein Elektrowerkzeug im Freien benutzen, verwenden Sie ein für den Außeneinsatz geeignetes Verlängerungskabel.
Ein für den Außeneinsatz geeignetes Kabel vermindert das Stromschlagrisiko.

3) Persönliche Sicherheit

- a) Bleiben Sie wachsam, achten Sie auf das, was Sie tun, und setzen Sie Ihren Verstand ein, wenn Sie mit Elektrowerkzeugen arbeiten.

Benutzen Sie keine Elektrowerkzeuge, wenn Sie müde sind oder unter Einfluss von Drogen, Alkohol oder Medikamenten stehen.

Bei der Arbeit mit Elektrowerkzeugen können bereits kurze Phasen der Unaufmerksamkeit zu schweren Verletzungen führen.

- b) Benutzen Sie Schutzausrüstung. Tragen Sie immer einen Augenschutz.
Schutzausrüstung wie Staubmaske, rutschsichere Sicherheitsschuhe, Schutzhelm und Gehörschutz senken das Verletzungsrisiko bei angemessenem Einsatz.
 - c) Vermeiden Sie unbeabsichtigten Anlauf. Achten Sie darauf, dass sich der Schalter in der Aus-(Off-) Position befindet, ehe Sie den Stecker einstecken.
Das Herumtragen von Elektrowerkzeugen mit dem Finger am Schalter und das Einstecken des Steckers bei betätigtem Schalter zieht Unfälle regelrecht an.
 - d) Entfernen Sie sämtliche Einstellwerkzeuge (Einstellschlüssel), ehe Sie das Elektrowerkzeug einschalten.
Ein an einem beweglichen Teil des Elektrowerkzeugs angebrachter Schlüssel kann zu Verletzungen führen.
 - e) Sorgen Sie für einen festen Stand. Achten Sie jederzeit darauf, sicher zu stehen und das Gleichgewicht zu bewahren.
Dadurch haben Sie das Elektrowerkzeug in unerwarteten Situationen besser im Griff.
 - f) Kleiden Sie sich richtig. Tragen Sie keine lose Kleidung oder Schmuck. Halten Sie Haar, Kleidung und Handschuhe von beweglichen Teilen fern.
Lose Kleidung, Schmuck oder langes Haar kann von beweglichen Teilen erfasst werden.
 - g) Wenn Anschlüsse für Staubabsaug- und -sammelvorrichtungen vorhanden sind, sorgen Sie dafür, dass diese richtig angeschlossen und eingesetzt werden.
Die Verwendung solcher Vorrichtungen kann Staub-bezogene Gefahren mindern.
- #### 4) Einsatz und Pflege von Elektrowerkzeugen
- a) Überansprechen Sie Elektrowerkzeuge nicht. Benutzen Sie das richtige Elektrowerkzeug für Ihren Einsatzzweck.
Das richtige Elektrowerkzeug erledigt seine Arbeit bei bestimmungsgemäßem Einsatz besser und sicherer.
 - b) Benutzen Sie das Elektrowerkzeug nicht, wenn es sich nicht am Schalter ein- und ausschalten lässt.
Jedes Elektrowerkzeug, das nicht mit dem Schalter betätigt werden kann, stellt eine Gefahr dar und muss repariert werden.
 - c) Ziehen Sie den Netzstecker, ehe Sie Einstellarbeiten vornehmen, Zubehörteile tauschen oder das Elektrowerkzeug verstanen.
Solche präventiven Sicherheitsmaßnahmen verhindern den unbeabsichtigten Anlauf des Elektrowerkzeugs und die damit verbundenen Gefahren.

- d) Lagern Sie nicht benutzte Elektrowerkzeuge außerhalb der Reichweite von Kindern, lassen Sie nicht zu, dass Personen das Elektrowerkzeug bedienen, die nicht mit dem Werkzeug selbst und/oder diesen Anweisungen vertraut sind. *Elektrowerkzeuge in ungeschulten Händen sind gefährlich.*
- e) Halten Sie Elektrowerkzeuge in Stand. Prüfen Sie auf Fehlausrichtungen, sicheren Halt und Leichtgängigkeit beweglicher Teile, Beschädigungen von Teilen und auf jegliche andere Zustände, die sich auf den Betrieb des Elektrowerkzeugs auswirken können. Bei Beschädigungen lassen Sie das Elektrowerkzeug reparieren, ehe Sie es benutzen. *Viele Unfälle mit Elektrowerkzeugen sind auf schlechte Wartung zurückzuführen.*
- f) Halten Sie Schneidwerkzeuge scharf und sauber. *Richtig gewartete Schneidwerkzeuge mit scharfen Schneidkanten bleiben weniger häufig hängen und sind einfacher zu beherrschen.*
- g) Benutzen Sie Elektrowerkzeuge, Zubehör, Werkzeugspitzen und Ähnliches in Übereinstimmung mit diesen Anweisungen und auf die für das jeweilige Elektrowerkzeug bestimmungsgemäße Weise - beachten Sie dabei die jeweiligen Arbeitsbedingungen und die Art und Weise der auszuführenden Arbeiten. *Der bestimmungswidrige Einsatz von Elektrowerkzeugen kann zu gefährlichen Situationen führen.*

- 5) Service
 - a) Lassen Sie Elektrowerkzeuge durch qualifizierte Fachkräfte und unter Einsatz passender, zugelassener Originalteile warten. *Dies sorgt dafür, dass die Sicherheit des Elektrowerkzeugs nicht beeinträchtigt wird.*

VORSICHT

Von Kindern und gebrechlichen Personen fernhalten. Werkzeuge sollten bei Nichtgebrauch außerhalb der Reichweite von Kindern und gebrechlichen Personen aufbewahrt werden.

VORSICHTSMASSNAHMEN FÜR DIE BENUTZUNG BOHRMASCHINE

1. Tragen Sie bei der Arbeit mit Schlagbohrmaschinen einen Gehörschutz. Starke und/oder dauerhafte Lärmbelastung kann zu Gehörverlust führen.
2. Benutzen Sie die mit dem Werkzeug gelieferten Zusatzgriffe. Wenn Sie die Kontrolle über das Werkzeug verlieren, kann es zu Verletzungen kommen.
3. Halten Sie den Bohrer bei der Verwendung fest und sicher.
4. Tragen Sie keine Handschuhe aus Stoff, der zum Aufrollen neigt, wie z.B. Baumwolle, Wolle, Leinen usw.
5. Stellen Sie vor dem Bohren in Wänden, Decken und Böden sicher, daß keine elektrischen Kabel oder Kabelrohre vorhanden sind.

TECHNISCHE DATEN

Spannung (nach Bereichen)*		(110V, 220V, 230V, 240V) ~	
Leistungsaufnahme		460W*	
Leerlaufdrehzahl		0-2300 min ⁻¹	
Spannfutterkapazität		10 mm	
Kapazität	Stahl	Spiralbohrer	10 mm
	Holz	Flachspitzbohrer	25 mm
		Stangenbohrer	16 mm
Gewicht (ohne Kabel)		1,3 kg	

*Überprüfen Sie das Typenschild am Erzeugnis, da Änderungen je nach Bereich jederzeit vorbehalten bleiben.

STANDARDZUBEHÖR

- Spannfutterschlüssel (nur Modell mit Spannfutterschlüssel) 1
- Das Standardzubehör kann ohne vorherige Bekanntmachung jederzeit geändert werden.

SONDERZUBEHÖR (separat zu beziehen)

- (1) Seitengriff
 - (2) Haken
 - (3) Haken (A)
- Das sonderzubehör kann ohne vorherige Bekanntmachung jederzeit geändert werden.

ANWENDUNGEN

- Bohren von Löchern in Metall, Holz und plastisches Material.

VOR INBETRIEBNAHME

1. **Netzspannung**
Prüfen, daß die zu verwendende Netzspannung der Angabe auf dem Typenschild entspricht.
2. **Netzschalter**
Prüfen, daß der Netzschalter auf "AUS" steht. Wenn der Stecker an das Netz angeschlossen ist, Während der Schalter auf "EIN" steht, beginnt das Werkzeug sofort zu laufen und bedeutet ernsthafte Gefahr.

3. Verlängerungskabel

Wenn der Arbeitsbereich nicht in der Nähe des Netzanschlusses liegt, ist ein Verlängerungskabel ausreichenden Querschnitts und ausreichender Nennleistung zu verwenden. Das Verlängerungskabel sollte so kurz wie möglich gehalten werden.

4. Wahl des angemessenen Bohrers:

- Beim Bohren von Metall oder Plastik
Verwenden Sie normale Bohrer für Metallbearbeitung.
- Beim Bohren von Holz:
Verwenden Sie normale Bohrer für Holz.
Verwenden Sie jedoch Bohrer für Metallbearbeitung für Löcher mit einem Durchmesser von 6,5 mm oder weniger.

5. Anbringen und Entfernen des Bohrers**Für ein Bohrfutter mit Schlüssel (Abb. 1)**

- (1) Öffnen Sie die Spannbacken des Futters und schieben Sie den Bohrer in das Futter.
- (2) Schieben Sie den Futterschlüssel in jedes der drei Löcher des Spannfutters ein und drehen Sie den Schlüssel im Uhrzeigersinn (von der Vorderseite her gesehen). Ziehen Sie fest an.
- (3) Schieben Sie zum Entfernen des Bohrers den Futterschlüssel in eins der Löcher des Spannfutters und drehen Sie ihn gegen den Uhrzeigersinn.

Für ein schlüsselfreies Spannfutter (Abb. 2)

- (1) Öffnen Sie die Spannbacken des Futters und schieben Sie den Bohrer in das Futter.
- (2) Halten Sie den Ring fest und drehen Sie die Muffe im Uhrzeigersinn. Ziehen Sie fest an.
- (3) Halten Sie zum Entfernen des Bohrers den Ring fest und drehen Sie die Muffe entgegen dem Uhrzeigersinn.
- (4) Wenn es schwierig ist, die Muffe zu lösen, so fixieren Sie die Spindel mit dem Maulschlüssel, halten Sie die Muffe fest, und drehen Sie in Lösungsrichtung (von der Vorderseite her gesehen gegen den Uhrzeigersinn). (Abb. 3)

6. Überprüfen der Drehrichtung (Abb. 4)

Der Bohrer dreht sich im Uhrzeigersinn (gesehen von hinten). Wenn die R-Seite des Druckknopfs gedrückt wird, Wenn die L-Seite des Bohrers gedrückt wird, dreht sich der Bohrer gegen den Uhrzeigersinn.
(Die Markierungen (L) und (R) befinden sich auf dem Körper der Bohrmaschine.)

7. Installation des Seitengriffs (Sonderzubehör)

Der Seitengriff kann für rechtshändige oder linkshändige Verwendung auf einer der beiden Seiten angebracht werden.

Schrauben Sie den Seitengriff in die Gewindebuchse auf der gewünschten Seite der Getriebeabdeckung und ziehen Sie ihn sicher an. (Abb. 6)

8. Anbringen des Hakens (Sonderzubehör)**Anbringen des Hakens (Seitenanbringung) (Abb. 7)**

Befestigen Sie den Haken mit der mitgelieferten M10-Schraube sicher auf der gewünschten Seite der Getriebeabdeckung.

Anbringen des Hakens (A) (an der Oberseite) (Abb. 8)

Zum Anbringen des Hakens (A) ist es erforderlich, den Handgriffabschnitt zu entfernen, der das Elektrosystem der Bohrmaschine abdeckt. Zur

Erhaltung Ihrer Sicherheit und des Schutzes gegen elektrischen Schlag sollte der Haken (A) NUR DURCH EIN AUTORISIERTES HITACHI WARTUNGSZENTRUM angebracht werden.

ACHTUNG:

- Achten Sie bei Verwendung der Bohrmaschine mit angebrachtem Haken auf die folgenden Punkte:
 - Stellen Sie sicher, daß die Bohrmaschine vollständig angehalten hat, bevor Sie diese am Gürtel aufhängen.
Während Aufhängung am Gürtel muß der Stecker des Netzkabel aus der Steckdose gezogen sein.
 - Gehen Sie nicht herum, während die Bohrmaschine am Gürtel hängt.
 - Bei Arbeit an einem höheren Ort ist versehentliches Herunterfallen der Bohrmaschine gefährlich. Wenn der Haken verformt ist oder Aufhängung an der falschen Stelle erfolgt, besteht die Gefahr, daß sich der Haken löst und die Bohrmaschine herunterfällt. Lassen Sie Sorgfalt walten, um Gefahr zu verhüten.
 - Beim Bohren eines durchgehenden Loches kann es zu heftigem Schütteln der Bohrmaschine kommen, wenn die Bohrerspitze aus dem Material austritt. Achten Sie darauf, daß Sie auch in einem solchen Fall nicht durch den Haken verletzt werden.

VERWENDUNG**1. Schalterbetätigung**

- Wenn der Abzugschalter durchgedrückt wird, dreht sich das Werkzeug. Wenn der Abzugschalter losgelassen wird, hält das Werkzeug an.
- Die Drehzahl des Bohrers kann durch entsprechendes Durchziehen des Abzugschalters geregelt werden. Wenn der Abzugschalter nur leicht durchgedrückt wird, ist die Drehzahl niedrig, und sie nimmt zu, wenn der Abzugschalter stärker durchgedrückt wird.
- Die gewünschte Drehzahl kann mit der Drehzahlkala voreingestellt werden.
Drehen Sie die Drehzahlkala im Uhrzeigersinn für eine höhere Drehzahl und gegen den Uhrzeigersinn für eine niedrigere Drehzahl. (Abb. 5)
- Wenn der Abzugschalter durchgedrückt und der Stopper gedrückt wird, bleibt die Maschine eingeschaltet, was angenehm für kontinuierliche Verwendung ist. Zum Ausschalten kann der Stopper durch erneutes Durchdrücken des Abzugschalters freigegeben werden.

2. Bohren

- Starten Sie zum Bohren die Bohrmaschine langsam und erhöhen Sie die Drehzahl beim Bohren.
- Drücken Sie immer in einer geraden Linie mit dem Bohrer. Drücken Sie mit ausreichender Kraft, um weiter zu Bohren, aber nicht so stark, daß der Motor anhält oder der Bohrer abgelenkt wird.
- Verringern Sie am Ende des Loches den Druck auf den Bohrer und leiten Sie den Bohrer vorsichtig durch den letzten Teil des Loches, um Stehenbleiben oder Durchbrechen durch das Material zu vermeiden.
- Wenn der Bohrer stehenbleibt, so lassen Sie sofort den Abzugschalter los, ziehen Sie den Bohrer aus dem Loch, und beginnen Sie erneut. Ziehen Sie nicht den Abzugschalter wiederholt durch, um einen stehengebliebenen Bohrer zu starten. Dies kann den Bohrer beschädigen.

- Je größer der Durchmesser des Bohrers ist, um so stärker ist die Reaktionskraft auf Ihren Arm. Achten Sie darauf, durch die Reaktionskraft nicht die Kontrolle über die Bohrmaschine zu verlieren. Stellen Sie sich für sichere Kontrolle des Bohrers sicher hin, verwenden Sie den Seitengriff, halten Sie die Bohrmaschine mit beiden Händen fest, und stellen Sie sicher, daß der Bohrer senkrecht zum zu bohrenden Material steht.

WARTUNG UND INSPEKTION

1. Inspektion der Bohrer

Da ein abgenutzter Bohrer Fehlfunktion des Motors und verringerte Wirksamkeit verursacht, sollten Sie die Bohrer sofort schärfen durch neue ersetzen, wenn Verschleiß festgestellt wird.

2. Inspektion der Befestigungsschraube

Alle Befestigungsschrauben werden regelmäßig inspiziert und geprüft, daß sie richtig angezogen sind. Wenn sich eine der Schrauben lockert, muß sie sofort wieder angezogen werden. Geschieht das nicht, kann das zu erheblicher Gefahr führen.

3. Wartung des Motors

Die Motorwicklung ist das "Herz" des Elektrowerkzeugs. Daher ist besonders sorgfältig darauf zu achten, daß die Wicklung nicht beschädigt und/oder mit Öl oder Wasser benetzt wird.

4. Inspektion der Kohlebürsten

Zur Erhaltung Ihrer Sicherheit und des Schutzes gegen elektrischen Schlag sollten Inspektion und Auswechseln der Kohlebürsten NUR durch ein Autorisiertes Hitachi-Wartungszentrum durchgeführt werden.

5. Liste der Wartungsteile

A : Punkt Nr.

B : Code Nr.

C : Verwendete Anzahl

D : Bemerkungen

ACHTUNG:

Reparatur, Modifikation und Inspektion von Hitachi-Elektrowerkzeugen müssen durch ein Autorisiertes Hitachi-Wartungszentrum durchgeführt werden.

Diese Teileliste ist hilfreich, wenn sie dem Autorisierten Hitachi-Wartungszentrum zusammen mit dem Werkzeug für Reparatur oder Wartung ausgehändigt wird.

Bei Betrieb und Wartung von Elektrowerkzeugen müssen die Sicherheitsvorschriften und Normen beachtet werden.

MODIFIKATIONEN:

Hitachi-Elektrowerkzeuge werden fortwährend verbessert und modifiziert, um die neuesten technischen Fortschritte einzubauen.

Dementsprechend ist es möglich, daß einige Teile (z.B. Codenummern bzw. Entwurf) ohne vorherige Benachrichtigung geändert werden.

ANMERKUNG

Aufgrund des ständigen Forschungs- und Entwicklungsprogramms von HITACHI sind Änderungen der hierin gemachten technischen Angaben vorbehalten.

Information über Betriebslärm und Vibration

Die gemessenen Werte wurden entsprechend EN60745 bestimmt und in Übereinstimmung mit ISO 4871 ausgewiesen.

Gemessener A-gewichteter Schalldruck: 75 dB (A)
Messunsicherheit KpA: 3 dB (A)

Bei der Arbeit immer einen Ohrenschutz tragen.

Der typische gewogene quadratische Mittelwert für die Beschleunigung ist 2,5 m/s².

ΓΕΝΙΚΑ ΜΕΤΡΑ ΑΣΦΑΛΕΙΑΣ

ΠΡΟΣΟΧΗ!

Διαβάστε όλες τις οδηγίες

Αν δεν τηρηθούν όλες οι οδηγίες που αναφέρονται παρακάτω, ενδέχεται να προκληθεί ηλεκτροπληξία, πυρκαγιά ή/και σοβαρός τραυματισμός.

Ο όρος “ηλεκτρικό εργαλείο” σε όλες τις προειδοποιήσεις που αναφέρονται παρακάτω αναφέρεται στο ηλεκτρικό εργαλείο που λειτουργεί με το ρεύμα του ηλεκτρικού δικτύου (με καλώδιο) ή στο ηλεκτρικό εργαλείο που λειτουργεί με μπαταρία (χωρίς καλώδιο).

ΦΥΛΑΞΤΕ ΑΥΤΕΣ ΤΙΣ ΟΔΗΓΙΕΣ

1) Χώρος εργασίας

- Διατηρείτε το χώρο εργασίας καθαρό και καλά φωτισμένο.**
Οι ακατάστατοι και οι σκοτεινοί χώροι έχουν την τάση να προκαλούν ατυχήματα.
- Μη χρησιμοποιείτε τα ηλεκτρικά εργαλεία σε εκρηκτικές ατμόσφαιρες, όπως όταν είναι παρόντα εύφλεκτα υγρά, αέρια ή σκόνη.**
Τα ηλεκτρικά εργαλεία δημιουργούν σπινθήρες οι οποίοι ενδέχεται να προκαλέσουν την ανάφλεξη αυτών των υλικών.
- Κρατήστε τα παιδιά και τους παρευρισκόμενους μακριά όταν χρησιμοποιείτε ένα ηλεκτρικό εργαλείο.**
Αν αποσπαστεί η προσοχή σας, υπάρχει κίνδυνος να χάσετε τον έλεγχο.

2) Ηλεκτρική ασφάλεια

- Τα φως των ηλεκτρικών εργαλείων πρέπει να είναι κατάλληλα για τις πρίζες.**
Μην τροποποιήσετε ποτέ το φως με οποιονδήποτε τρόπο.
Μη χρησιμοποιείτε φως προσαρμογής με γειωμένα ηλεκτρικά εργαλεία.
Τα μη τροποποιημένα φως και οι κατάλληλες πρίζες μειώνουν τον κίνδυνο ηλεκτροπληξίας.
- Αποφύγετε τη σωματική επαφή με γειωμένες επιφάνειες όπως σωλήνες, θερμάστρες, μαγειρικές συσκευές και ψυγεία.**
Υπάρχει αυξημένος κίνδυνος ηλεκτροπληξίας όταν το σώμα σας είναι γειωμένο.
- Μην εκθέτετε τα ηλεκτρικά εργαλεία στη βροχή ή σε συνθήκες υγρασίας.**
Το νερό που εισέρχεται σε ένα ηλεκτρικό εργαλείο αυξάνει τον κίνδυνο ηλεκτροπληξίας.
- Μην ασκείτε δύναμη στο καλώδιο. Μη χρησιμοποιείτε ποτέ το καλώδιο για να μεταφέρετε, να τραβήξετε ή να βγάλετε από την πρίζα το ηλεκτρικό εργαλείο.**
Κρατήστε το καλώδιο μακριά από θερμότητα, λάδι, κοφτερές γωνίες και κινούμενα μέρη.
Τα κατεστραμμένα ή μπερδεμένα καλώδια αυξάνουν τον κίνδυνο ηλεκτροπληξίας.
- Όταν χρησιμοποιείτε το εργαλείο σε εξωτερικό χώρο, χρησιμοποιήστε καλώδιο προέκτασης που προορίζεται για χρήση σε εξωτερικό χώρο.**
Η χρήση ενός καλωδίου κατάλληλου για εξωτερικό χώρο μειώνει τον κίνδυνο ηλεκτροπληξίας.

3) Προσωπική ασφάλεια

- Να είστε σε ετοιμότητα, να βλέπετε αυτό που κάνετε και να χρησιμοποιείτε την κοινή λογική όταν χρησιμοποιείτε ένα ηλεκτρικό εργαλείο.**
Μη χρησιμοποιείτε ηλεκτρικά εργαλεία όταν είστε κουρασμένοι ή υπό την επίδραση ναρκωτικών ουσιών, οινοπνεύματος ή φαρμάκων.
Μια στιγμή απροσεξίας κατά τη χρήση ενός ηλεκτρικού εργαλείου μπορεί να προκαλέσει σοβαρό προσωπικό τραυματισμό.
 - Χρησιμοποιείτε εξοπλισμό ασφαλείας, Να φοράτε πάντοτε προστατευτικά γυαλιά για τα μάτια.**
Εξοπλισμός ασφαλείας όπως μάσκα για τη σκόνη, αντιολισθητικά υποδήματα, σκληρό κάλυμμα κεφαλής ή προστατευτικά ακοής που χρησιμοποιούνται στις αντίστοιχες συνθήκες μειώνουν τις πιθανότητες τραυματισμού.
 - Να αποφεύγετε την κατά λάθος έναρξη λειτουργίας. Να δεβαλώσετε ότι ο διακόπτης είναι στην κλειστή θέση (off) πριν τοποθετήσετε το φως στην πρίζα.**
Η μέταλλο ηλεκτρικών εργαλείων με το δάχτυλο στο διακόπτη λειτουργίας ή η σύνδεση ηλεκτρικών εργαλείων στο ρεύμα με το διακόπτη ανοιχτό αυξάνει τις πιθανότητες ατυχήματος.
 - Να αφαιρείτε τυχόν κλειδιά ρυθμιζόμενου ανοιγμάτου ή τα απλά κλειδιά πριν θέσετε σε λειτουργία το ηλεκτρικό εργαλείο.**
Ένα απλό κλειδί ή ένα κλειδί ρυθμιζόμενου ανοιγμάτου που είναι προσαρτημένο σε περιστρεφόμενο εξάρτημα του ηλεκτρικού εργαλείου μπορεί να προκαλέσει προσωπικό τραυματισμό.
 - Μην τεντώνετε. Να διατηρείτε πάντοτε το κατάλληλο πάτημα και την ισορροπία σας.**
Με αυτόν τον τρόπο μπορείτε να ελέγχετε καλύτερα το ηλεκτρικό εργαλείο σε μη αναμενόμενες καταστάσεις.
 - Να είστε ντυμένοι κατάλληλα. Μη φοράτε φαρδιά ρούχα ή κοσμήματα. Να κρατάτε τα μαλλιά σας, τα ρούχα σας και τα γάντια σας μακριά από κινούμενα μέρη.**
Τα φαρδιά ρούχα, τα κοσμήματα και τα μακριά μαλλιά μπορεί να πιαστούν σε κινούμενα μέρη.
 - Αν παρέχονται εξαρτήματα για τη σύνδεση συσκευών εξαγωγής και συλλογής σκόνης, να δεβαλώσετε ότι είναι συνδεδεμένα και χρησιμοποιούνται με το σωστό τρόπο.**
Η χρήση αυτών των συσκευών μπορεί να μειώσει τους κινδύνους που σχετίζονται με τη σκόνη.
- 4) Χρήση και φροντίδα ηλεκτρικών εργαλείων
- Μην ασκείτε δύναμη στο ηλεκτρικό εργαλείο. Να χρησιμοποιείτε το ηλεκτρικό εργαλείο που είναι κατάλληλο για το είδος της εργασίας που εκτελείτε.**
Το κατάλληλο ηλεκτρικό εργαλείο θα εκτελέσει την εργασία καλύτερα και με μεγαλύτερη ασφάλεια με τον τρόπο που σχεδιάστηκε.
 - Μη χρησιμοποιήσετε το ηλεκτρικό εργαλείο αν ο διακόπτης λειτουργίας δεν ανοίγει και δεν κλείνει.**
Ένα ηλεκτρικό εργαλείο που δεν ελέγχεται από το διακόπτη λειτουργίας είναι επικίνδυνο και πρέπει να επισκευαστεί.
 - Βγάλτε το φως από την πρίζα πριν κάνετε οποιαδήποτε ρυθμίσεις, αλλάξτε εξαρτήματα ή αποθηκεύσετε το ηλεκτρικό εργαλείο.**

Αυτά τα προληπτικά μέτρα ασφαλείας μειώνουν τον κίνδυνο να ξεκινήσει το ηλεκτρικό εργαλείο κατά λάθος.

- d) **Αποθηκεύετε τα εργαλεία που δεν χρησιμοποιείτε μακριά από παιδιά και μην αφήνετε τα άτομα που δεν είναι εξοικειωμένα με το ηλεκτρικό εργαλείο ή με αυτές τις οδηγίες να χρησιμοποιούν το ηλεκτρικό εργαλείο.**

Τα ηλεκτρικά εργαλεία είναι επικίνδυνα στα χέρια μη εκπαιδευμένων ατόμων.

- e) **Συντηρείτε τα ηλεκτρικά εργαλεία. Να ελέγχετε την ευθυγράμμιση τους ή το μπλοκάρισμα των κινούμενων μερών, τη θραύση των εξαρτημάτων και οποιαδήποτε άλλη κατάσταση που ενδέχεται να επηρεάσει τη λειτουργία του ηλεκτρικού εργαλείου.**

Σε περίπτωση βλάβης, το ηλεκτρικό εργαλείο πρέπει να επισκευαστεί πριν χρησιμοποιηθεί.

Πολλά ατυχήματα προκαλούνται από ηλεκτρικά εργαλεία που δεν έχουν συντηρηθεί σωστά.

- f) **Διατηρείτε τα εργαλεία κοπής κοφτερά και καθαρά.** Τα κατάλληλα συντηρημένα εργαλεία κοπής με κοφτερές γωνίες μπλοκάρουν πιο δύσκολα και ελέγχονται πιο εύκολα.

- g) **Χρησιμοποιείτε το ηλεκτρικό εργαλείο, τα εξαρτήματα, τις μύτες των εργαλείων κλπ., σύμφωνα με αυτές τις οδηγίες και με τρόπο που είναι κατάλληλος για τον συγκεκριμένο τύπο ηλεκτρικού εργαλείου, λαμβάνοντας υπόψη τις συνθήκες εργασίας και την εργασία που πρόκειται να εκτελεστεί.**

Η χρήση του ηλεκτρικού εργαλείου σε λειτουργίες διαφορετικές από εκείνες για τις οποίες προορίζεται μπορεί να δημιουργήσει επικίνδυνες καταστάσεις.

5) Σέρβις

- a) **Να δίνετε το ηλεκτρικό εργαλείο για σέρβις σε κατάλληλα εκπαιδευμένα άτομα και να χρησιμοποιείτε μόνο γνήσια ανταλλακτικά.**

Με αυτόν τον τρόπο είστε σίγουροι για την ασφάλεια του ηλεκτρικού εργαλείου.

ΠΡΟΦΥΛΑΞΗ

Μακριά από τα παιδιά και τους αναπήρους.

Όταν δεν χρησιμοποιούνται, τα εργαλεία πρέπει να φυλάσσονται μακριά από τα παιδιά και τους αναπήρους.

ΠΡΟΦΥΛΑΚΤΙΚΑ ΜΕΤΡΑ ΓΙΑ ΤΗ ΧΡΗΣΗ ΤΟΥ ΔΡΑΠΑΝΟΥ

- Φοράτε πάντα ωτοασπίδες κατά τη χρήση του δραπάνου. Έκθεση στον θόρυβο μπορεί να καλέσει απώλεια ακοής.
- Χρησιμοποιήστε τις βοηθητικές λαβές που επισυνάπτονται με τον εργαλείο. Απώλεια ελέγχου μπορεί να καλέσει τραυματισμό.
- Κρατήστε το δράπανο γερά κατά τη χρήση.
- Μην φοράτε γάντια φτιαγμένα από υλικό που έχει την τάση να τλιγίζεται όπως το βαμβάκι, το μαλλί, το ύφασμα ή ίνα κλπ.
- Πριν από το τρύπημα σε τοίχους, ταβάνια ή πατώματα, σιγουρευτείτε ότι δεν υπάρχουν ηλεκτρικά καλώδια ή κυκλώματα στο εσωτερικό.

ΤΕΧΝΙΚΑ ΧΑΡΑΚΤΗΡΙΣΤΙΚΑ

Τάση (ανά περιοχές)*	(110V, 220V, 230V, 240V) ~		
Ισχύς εισόδου	460W*		
Ταχύτητα χωρίς φορτίο	0-2300 min ⁻¹		
Ικανότητα σφικτήρα δραπάνου	10 mm		
Ικανότητα	Ατσάλι	Ελικοειδής Λεπίδα	10 mm
	Ξύλο	Επίπεδη Λεπίδα Φτιαριού	25 mm
		Τρυπανοειδής Λεπίδα	16 mm
Βάρος (χωρίς το καλώδιο)	1,3 Kg		

* Βεβαιωθείτε να ελέγξετε την πινακίδα στο προϊόν επειδή υπόκεινται σε αλλαγή σε εξάρτηση από την περιοχή.

ΚΑΝΟΝΙΚΑ ΕΞΑΡΤΗΜΑΤΑ

- Κλειδί σφιξίματος
(Ειδ. μόνο για σφικτήρα με κλειδί)..... 1
Τα κανονικά εξαρτήματα μπορούν να αλλάξουν χωρίς προειδοποίηση.

ΠΡΟΑΙΡΕΤΙΚΑ ΕΞΑΡΤΗΜΑΤΑ

- (1) Πλευρική λαβή.
(2) Γάτζος
(3) Γάτζος (A)
χωρίς προειδοποίηση.

ΕΦΑΡΜΟΓΕΣ

- Άνοιγμα τρυπών σε μέταλλο, ξύλο και πλαστικό.

ΠΡΙΝ ΤΗ ΛΕΙΤΟΥΡΓΙΑ

- Πηγή ρεύματος**
Βεβαιωθείτε ότι η πηγή ρεύματος που πρόκειται να χρησιμοποιηθεί είναι εναρμονισμένη με τις απαιτήσεις σε ρεύμα που αναφέρεται στην πινακίδα του εργαλείου.
- Διακόπτης ρεύματος**
Βεβαιωθείτε ότι ο διακόπτης ρεύματος βρίσκεται στη θέση OFF. Αν το βίσμα είναι στη μπρίζα καθώς

ο διακόπτης ρεύματος βρίσκεται στο ΟΝ, το εργαλείο θα αρχίσει να λειτουργεί αμέσως, με πιθανότητα πρόκλησης σοβαρού ατυχήματος.

3. Καλώδιο προέκτασης

Όταν ο χώρος εργασίας βρίσκεται μακριά από την παροχή ρεύματος. Χρησιμοποιήστε ένα καλώδιο προέκτασης με κατάλληλο πάχος και ικανότητα μεταφοράς ρεύματος. Το καλώδιο προέκτασης πρέπει να είναι τόσο κοντό όσο είναι πρακτικά δυνατό.

4. Επιλέξτε την κατάλληλη λεπίδα τρυπίματος

- Όταν ανοίγετε τρύπες σε μέταλλο και πλαστικό Χρησιμοποιήστε κοινές λεπίδες τρυπίματος για μέταλλο.
 - Όταν ανοίγετε τρύπες για ξύλο Χρησιμοποιήστε κοινές λεπίδες τρυπίματος για ξύλο.
- Όμως όταν ανοίγετε τρύπες των 6.5 χιλ ή μικρότερες, χρησιμοποιήστε μια λεπίδα τρυπίματος για εργασία σε μέταλλο.

5. Για στερέωση και θγάλισμο της λεπίδας

Για σφικτήρα με κλειδί (Εικ. 1)

- (1) Ανοίξετε τις αρπάγες του σφικτήρα, και βάλτε μέσα τη λεπίδα στο σφικτήρα.
- (2) Τοποθετήστε το κλειδί του σφικτήρα μέσα σε κάθε μια από τις τρεις τρύπες του σφικτήρα με περιστρέψτε το προς τα δεξιά (όψη από την μπροστινή πλευρά). Σφίξτε με ασφάλεια.
- (3) Για να αφαιρέσετε τη λεπίδα, τοποθετήστε το κλειδί του σφικτήρα μέσα σε μια από τις τρύπες του σφικτήρα και περιστρέψτε το προς τα αριστερά.

Για σφικτήρες χωρίς κλειδί (Εικ. 2)

- (1) Ανοίξετε τις αρπάγες του σφικτήρα, και βάλτε μέσα τη λεπίδα στο σφικτήρα.
Για να ανοίξετε τις αρπάγες του σφικτήρα, κρατήστε το δακτύλιο ενώ περιστρέφεται το συνδετικό δακτύλιο προς τα αριστερά (όψη από την μπροστινή πλευρά).
- (2) Πιάστε δυνατά το δακτύλιο και περιστρέψτε το συνδετικό δακτύλιο προς τα δεξιά. Σφίξτε με ασφάλεια.
- (3) Για να αφαιρέσετε την λεπίδα, πιάστε δυνατά το δακτύλιο και περιστρέψτε το συνδετικό δακτύλιο προς τα αριστερά.
- (4) Αν είναι δύσκολο να ξεσφίξετε το συνδετικό δακτύλιο, στερεώστε τον άξονα χρησιμοποιώντας ένα κλειδί, κρατήστε το συνδετικό δακτύλιο σταθερά, και περιστέψτε το προς την διεύθυνση κατά την οποία ξεσφίγκει (αριστερά όταν βλέπετε από εμπρός) (Εικ. 3)

6. Ελέγξτε την περιστροφική διεύθυνση (Εικ. 4)

Η λεπίδα περιστρέφεται προς τα δεξιά (όψη από την πίσω πλευρά) πατώντας την R-πλευρά του κουμπιού. Η L-πλευρά του κουμπιού πατιέται για να περιστραφεί η λεπίδα προς τα αριστερά.

(Τα σημάδια (L) και (R) παρέχονται πάνω στο σώμα.)

7. Εγκατάσταση της πλευρικής λαβής (Προαιρετικό εξάρτημα)

Μια Πλευρική λαβή μπορεί να εγκατασταθεί στη οποιαδήποτε πλευρά του εργαλείου για δεξιόχειρη ή αριστερόχειρη χρήση.

Για να εγκαταστήσετε τη πλευρική λαβή, περάστε την μέσα στην υποδοχή στην επιθυμητή πλευρά του καλύμματος ταχυτήτων και σφίξτε με ασφάλεια (Εικ. 6)

8. Σύνδεση του γάντζου (Προαιρετικό εξάρτημα)

Για το γάντζο (πλευρική ένωση) (Εικ. 7)

Στερεώστε το γάντζο γερά στην επιθυμητή πλευρά του καλύμματος ταχυτήτων χρησιμοποιώντας το M10 μπουλόνι, το οποίο παρέχεται με το γάντζο.

Για το γάντζο (Α) (κορυφαία ένωση) (Εικ. 8)

Για να συνδέσετε το γάντζο (Α) είναι απαραίτητο να αποσυνδέσετε το τμήμα της λαβής που καλύπτει το ηλεκτρικό σύστημα του εργαλείου. Για την συνεχιζόμενη δική σας ασφάλεια και την προστασία από την ηλεκτροπληξία η εγκατάσταση του γάντζου (Α) σε αυτό το δράπανο πρέπει να γίνει μονάχα από ένα ΕΞΟΥΣΙΟΔΟΤΗΜΕΝΟ ΚΕΝΤΡΟ ΣΕΡΒΙΣ ΤΗΣ HITACHI.

ΠΡΟΣΟΧΗ:

Όταν το ηλεκτρικό εργαλείο χρησιμοποιείται με το γάντζο στερεωμένο σε αυτό, δώστε προσοχή στα παρακάτω σημεία:

- Πριν κρεμάσετε την κύρια μονάδα από την ζώνη της μέσης σας, βεβαιωθείτε ότι το δράπανο έχει σταματήσει τελείως.
- Ενώ είναι κρεμασμένο από την ζώνη της μέσης σας, το βίσμα παροχής ρεύματος πρέπει να είναι αποσυνδεδεμένο από την πηγή του ρεύματος.
- Μην περπατάτε με το ηλεκτρικό εργαλείο να κρέμεται από την ζώνη της μέσης σας.
- Στην περίπτωση λειτουργίας σε υψηλά μέρη, είναι επικίνδυνο να ριζέτε κάτω το εργαλείο κατά λάθος. Αν ο γάντζος παραμορφωθεί ή κρεμαστεί από λανθασμένη θέση, υπάρχει κίνδυνος ο γάντζος θα γλιστρήσει και το εργαλείο να πέσει κάτω. Προσέχετε να αποφύγετε τον κίνδυνο.
- Κατά το άνοιγμα μιας τρύπας το ηλεκτρικό εργαλείο μερικές φορές τραντάζεται με δύναμη όταν το αντικείμενο εργασίας τρυπηθεί, για παράδειγμα. Προσέξτε να μην τραυματιστείτε από τον γάντζο ακόμα και αν κάτι τέτοιο συμβεί.

ΠΩΣ ΝΑ ΤΟ ΧΡΗΣΙΜΟΠΟΙΗΣΕΤΕ

1. Λειτουργία διακόπτη

- Όταν η σκανδάλη είναι χαμηλωμένη, το εργαλείο περιστρέφεται.
- Όταν η σκανδάλη ελευθερωθεί το εργαλείο σταματά.
- Η ταχύτητα περιστροφής του δρανάνου μπορεί να ελεγχθεί από το κατά πόσο τραβιέται η σκανδάλη διακόπτης. Η ταχύτητα είναι χαμηλή όταν η σκανδάλη διακόπτης τραβηχθεί ελαφρά και αυξάνει καθώς η σκανδάλη διακόπτης τραβιέται περισσότερο.
- Η επιθυμητή ταχύτητα περιστροφής μπορεί να ελεγχθεί εκ των προτέρων με το καντράν ελέγχου ταχύτητας.
- Γυρίστε το καντράν ελέγχου ταχύτητας δεξιόστροφα για την υψηλότερη ταχύτητα και αριστερόστροφα για τη χαμηλότερη ταχύτητα. (Εικ. 5)
- Το τράβηγμα της σκανδάλης και το σπρώξιμο του στόπερ, διατηρεί την κατάσταση λειτουργίας, η οποία είναι βολική για συνεχή λειτουργία. Κατά το σβήσιμο, το στόπερ μπορεί να αποσυνδεθεί τραβώντας τη σκανδάλη ξανά.

2. Τρύπημα

- Κατά το τρύπημα, αρχίστε να τρυπάτε αργά, και προοδευτικά αυξήστε την ταχύτητα καθώς τρυπάτε.
- Πάντοτε να εφαρμόζετε πίεση σε ευθεία γραμμή με την λεπίδα. Χρησιμοποιήστε αρκετή δύναμη για να συνεχίσετε να τρυπάτε, αλλά όμως μην σπρώξετε πάρα πολύ τόσο ώστε να μπλοκάρει το μοτέρ ή να αποκλίνει η λεπίδα.
- Για να ελαχιστοποιήσετε το μπλοκάρισμα ή να διαπεράσετε το υλικό, ελαττώστε την πίεση στο δρέπανο και στη λεπίδα κατά το τελευταίο τμήμα της τρύπας.
- Αν το δρέπανο μπλοκάρει, ελευθερώσετε τη σκανδάλη αμέσως, αφαιρέστε τη λεπίδα από το αντικείμενο εργασίας και ξεκινήστε ξανά. Μην ενεργοποιείτε και απενεργοποιείτε τη σκανδάλη σε μια προσπάθεια να ξεκινήσετε ένα μπλοκαρισμένο δράπανο.
- Όσο μεγαλύτερη είναι η διάμετρος της λεπίδας του δραπάνου, τόσο μεγαλύτερη είναι και η δύναμη αντίδρασης πάνω στο χέρι σας. Προσέξτε να μην χάσετε τον έλεγχο του δραπάνου εξαιτίας αυτής της δύναμης αντίδρασης. Για να κρατήσετε τον απόλυτο έλεγχο, διατηρείτε ένα καλό πιάγμα, χρησιμοποιήστε την πλευρική λαβή, κρατήστε το δρέπανο σφικτά με τα δυο χέρια και βεβαιωθείτε ότι το δρέπανο είναι κάθετο ως προς το υλικό το οποίο πρόκειται να τρυπηθεί.

ΣΥΝΤΗΡΗΣΗ ΚΑΙ ΕΛΕΓΧΟΣ

1. Έλεγχος των λεπίδων του δραπάνου

Επειδή η χρήση των φθαρμένων λεπίδων θα προκαλέσει την δυσλειτουργία του μοτέρ και την μειωμένη αποδοτικότητα, αντικαταστήστε τις λεπίδες του δραπάνου με καινούργιες ή ακονίστε τις χωρίς καθυστέρηση όταν παρατηρηθεί η φθορά.

2. Έλεγχος των βιδών στερέωσης

Ελέγχετε περιοδικά όλες τις βίδες στερέωσης και βεβαιωθείτε ότι είναι κατάλληλα σφιγμένες. Στην περίπτωση που χαλαρώσει οποιαδήποτε βίδα σφίξτε την ξανά αμέσως. Αν δεν το κάνετε αυτό μπορεί να έχει ως αποτέλεσμα το σοβαρό τραυματισμό.

3. Συντήρηση του μοτέρ

Η περιέλιξη της μονάδα του μοτέρ είναι η καρδιά του ηλεκτρικού εργαλείου. Δώστε μεγάλη προσοχή για να σιγουρευτείτε ότι η περιέλιξη δεν θα πάθει ζημιά και / ή θα βρεχθεί με λάδι ή νερό.

4. Έλεγχος στα καρβουνάκια

Για την συνεχιζόμενη ασφάλεια σας και την προστασία σας από την ηλεκτροπληξία, ο έλεγχος στα καρβουνάκια και η αντικατάσταση αυτού του εργαλείου πρέπει ΜΟΝΟ να γίνεται από ένα Εξουσιοδοτημένο Κέντρο Σέρβις της Hitachi.

5. Λίστα συντήρησης των μερών

- A: Αρ. Αντικειμένου
- B: Αρ. Κωδικού
- C: Αρ. που χρησιμοποιήθηκε
- D: Παρατηρήσεις

ΠΡΟΣΟΧΗ

Η επισκευή, η τροποποίηση και ο έλεγχος των Ηλεκτρικών Εργαλείων Hitachi πρέπει να γίνεται από ένα Εξουσιοδοτημένο Κέντρο Σέρβις της Hitachi.

Αυτή η Λίστα των Μερών θα είναι χρήσιμη αν παρουσιαστεί μαζί με το εργαλείο στο Εξουσιοδοτημένο Κέντρο Σέρβις της Hitachi όταν ζητάτε επισκευή ή κάποια άλλη συντήρηση.

Κατά τον έλεγχο και τη συντήρηση των ηλεκτρικών εργαλείων, οι κανόνες ασφαλείας και οι κανονισμοί που υπάρχουν σε κάθε χώρα πρέπει να ακολουθούνται.

ΤΡΟΠΟΠΟΙΗΣΗ

Τα Ηλεκτρικά Εργαλεία Hitachi βελετιώνονται συνεχώς και τροποποιούνται για να συμπεριλάβουν τις τελευταίες τεχνολογικές προόδους.

Κατά συνέπεια, ορισμένα τμήματα (δηλ. κωδικοί αριθμοί και / ή σχεδιασμός) μπορούν να αλλάξουν χωρίς προηγούμενη ειδοποίηση.

ΣΗΜΕΙΩΣΗ

Εξαιτίας του συνεχιζόμενου προγράμματος έρευνας και ανάπτυξης της Hitachi τα τεχνικά χαρακτηριστικά που εδώ αναφέρονται μπορούν να αλλάξουν χωρίς προηγούμενη ειδοποίηση.

Πληροφορίες που αφορούν τον εκπεμπόμενο θόρυβο και τη δόνηση

Οι τιμές μετρήθηκαν σύμφωνα με το EN60745 και βρέθηκαν σύμφωνες με το ISO 4871.

Μετρηθείσα τυπική στάθμη ηχητικής πίεσης A: 75 dB (A)
Αβεβαιότητα ΚpA: 3 dB (A)

Φοράτε προστατευτικά αυτιά.

Μια τυπική τιμή ρίζας μέσης τετραγωνικής επιτάχυνσης: 2,5 m/s²

OGÓLNE WSKAZÓWKI BEZPIECZEŃSTWA

OSTRZEŻENIE!

Należy przeczytać wszystkie instrukcje

Nieprzestrzeganie któregokolwiek z zamieszczonych poniżej zaleceń może być przyczyną porażenia prądem elektrycznym, pożaru i/lub poważnych obrażeń ciała. Występujące w poniższych ostrzeżeniach wyrażenie "urządzenie elektryczne" oznacza urządzenia zasilane z sieci elektrycznej (za pomocą przewodu) lub baterii (bezprowodowo).

INSTRUKCJE POWINNY BYĆ ZACHOWANE NA PRZYSZŁOŚĆ

1) Miejsce pracy

- a) **Miejsce pracy powinno być uprzątnięte i czyste.**
W miejscach nieuporządkowanych i źle oświetlonych ryzyko wypadku jest większe.
- b) **Należy unikać urządzeń elektrycznych w przypadku zagrożenia wybuchem, na przykład w obecności łatwopalnych płynów, gazów lub pyłów.**
Urządzenia elektryczne wytwarzają iskry, które mogą spowodować zapłon pyłu.
- c) **Dzieci i osoby postronne nie powinny znajdować się w pobliżu pracującego urządzenia elektrycznego.**
Odwroćenie uwagi użytkownika może spowodować utratę kontroli nad urządzeniem.

2) Bezpieczeństwo elektryczne

- a) **Wtyczka urządzenia elektrycznego musi być odpowiednia do gniazdka.**
Nigdy nie należy w jakikolwiek sposób przerabiać wtyczki.
Nie używać jakichkolwiek elementów łączących z urządzeniami wymagającymi uziemienia.
Używanie tylko oryginalnych wtyczek pasujących do gniazdka ogranicza ryzyko porażenia prądem elektrycznym.
- b) **Unikać kontaktu z przedmiotami uziemionymi, takimi jak rury, kaloryfery, kuchenki i urządzenia chłodnicze.**
W przypadku dotykania uziemienia ryzyko porażenia prądem elektrycznym jest większe.
- c) **Nie narażać urządzeń elektrycznych na działanie deszczu lub wilgoci.**
Przedostanie się wody do urządzenia zwiększa ryzyko porażenia prądem elektrycznym.
- d) **Odpowiednio używać przewodów zasilających. Nigdy nie wykorzystywać przewodu do przenoszenia lub ciągnięcia urządzenia lub też wyciągnięcia wtyczki z gniazdka.**
Utrzymywać przewód z dala od źródeł ciepła, oleju, ostrych krawędzi lub części ruchomych.
Uszkodzenie lub nacięcie przewodu zwiększa ryzyko porażenia prądem elektrycznym.
- e) **Podczas pracy z urządzeniem elektrycznym na wolnym powietrzu należy używać odpowiedniego przedłużacza.**
Używanie przedłużacza przeznaczonego do pracy na wolnym powietrzu zmniejsza ryzyko porażenia prądem elektrycznym.

3) Bezpieczeństwo osobiste

- a) **Podczas pracy z urządzeniem elektrycznym należy zachowywać koncentrację i planować wykonywane zadania, kierując się zdrowym rozsądkiem.**
Urządzenia elektryczne nie powinny obsługiwać osoby zmęczone lub znajdujące się pod wpływem substancji odurzających, alkoholu lub lekarstw.
Chwila nieuwagi podczas pracy z urządzeniem może stać się przyczyną poważnych obrażeń.
- b) **Używać wyposażenia ochronnego. Zawsze nosić okulary ochronne.**
Używanie wyposażenia ochronnego, takiego jak maski przeciwpyłowe, buty przeciwpoślizgowe, odpowiednie nakrycie głowy i słuchawki ogranicza ryzyko obrażeń ciała.
- c) **Unikać nieprzewidzianego uruchomienia urządzenia. Przed włożeniem wtyczki do gniazdka upewnić się, że urządzenie jest wyłączone.**
Przenoszenie urządzenia z palcem na wyłączniku lub podłączenie do sieci włączonego urządzenia może spowodować wypadek.
- d) **Przed włączeniem urządzenia usunąć wszelkiego rodzaju klucze regulacyjne.**
Pozostawienie klucza w ruchomej części urządzenia może spowodować obrażenia.
- e) **Nie trzymać urządzenia zbyt daleko od siebie. Zachować stabilną pozycję przez cały czas.**
Umożliwia to pełne panowanie nad urządzeniem, nawet w nieoczekiwanych sytuacjach.
- f) **Nosić odpowiednią odzież. Nie należy nosić luźnych ubrań oraz biżuterii. Utrzymywać włosy, odzież i rękawice z dala od ruchomych części urządzenia.**
Luźne ubrania, biżuteria lub długie włosy mogą zostać wciągnięte przez poruszające się części.
- g) **Jeżeli urządzenie wyposażone jest w system odprowadzania pyłu, powinien on być założony i właściwie używany.**
Użycie tego rodzaju urządzeń ograniczy zagrożenia związane z gromadzeniem się pyłu.

4) Obsługa i konserwacja urządzenia

- a) **Nie dociskać urządzenia zbyt mocno. Należy używać tylko właściwego urządzenia, odpowiedniego dla wykonywanej pracy.**
Użycie odpowiedniego urządzenia spowoduje, że praca zostanie wykonana lepiej i bezpieczniej.
- b) **Nie używać urządzenia elektrycznego, którego wyłącznik jest niesprawny.**
Urządzenie, które nie może zostać wyłączone za pomocą wyłącznika, jest niebezpieczne i musi zostać przeznaczone do naprawy.
- c) **Przed przystąpieniem do jakichkolwiek prac, jak na przykład wymiana akcesoriów, urządzenie musi zostać wyłączone z sieci. To samo dotyczy przechowywania urządzenia nieużywanego.**
Umożliwi to zmniejszenie ryzyka nieprzewidzianego uruchomienia urządzenia.
- d) **Urządzenia elektryczne powinny być przechowywane poza zasięgiem dzieci oraz wszelkich osób nie znających zasad funkcjonowania i obsługi tego typu urządzeń.**
Obsługa urządzeń elektrycznych przez osoby nie znające zasad ich funkcjonowania jest niebezpieczna.

- e) **Wykonywać odpowiednie prace konserwacyjne. Kontrolować prawidłowość ustawienia części ruchomych, ich uszkodzenia i wszelkie inne kwestie, mogące spowodować nieprawidłową pracę urządzenia.**

Uszkodzone urządzenie powinno zostać natychmiast przekazane do naprawy.

Wiele wypadków spowodowane jest niewłaściwą konserwacją urządzeń elektrycznych.

- f) **Narzędzia tnące powinny być naostrzone i czyste. Odpowiednio naostrzone narzędzia nie będą się wyginać i są łatwiejsze w używaniu.**

- g) **Urządzenie elektryczne, akcesoria, wiertła itd. powinny być używane zgodnie z niniejszymi zaleceniami oraz w sposób odpowiadający wykonywanej pracy, przy uwzględnieniu warunków panujących w otoczeniu.**

Wykorzystanie urządzenia elektrycznego do pracy, do której nie jest ono przeznaczone, grozi wypadkiem.

5) Serwis

- a) **Urządzenie powinno być serwisowane tylko przez osoby posiadające odpowiednie kwalifikacje, przy użyciu wyłącznie identycznych, oryginalnych części zamiennych.**

Zapewni to utrzymanie pełnego bezpieczeństwa pracy z urządzeniem.

ŚRODKI OSTROŻNOŚCI

Dzieci i osoby niepełnosprawne nie powinny znajdować się w pobliżu urządzenia.

Nie używane urządzenie powinno być przechowywane w miejscu poza zasięgiem dzieci i osób niepełnosprawnych.

ŚRODKI OSTROŻNOŚCI PRZY UŻYCIU WIERTARKI

1. Podczas pracy z wiertarką udarową należy nosić słuchawki ochronne. Wysoki poziom hałasu może powodować utratę słuchu.
2. Korzystać z uchwytów pomocniczych dostarczanych wraz z urządzeniem. Utrata kontroli nad urządzeniem może spowodować obrażenia ciała.
3. Podczas pracy trzymaj mocno wiertarkę.
4. Nie wolno używać rękawic wykonanych z materiału, który może się zawijać, np. bawełny, wełny, sukna lub nici.
5. Przed wierceniem w ścianach, sufitach czy podłogach upewnij się, że nie ma w nich żadnych kabli elektrycznych.

DANE TECHNICZNE

Napięcie (w zależności od miejsca)*		(110V, 220V, 230V, 240V) ~	
Moc pobierana		460W*	
Prędkość obrotowa bez obciążenia		0-2300 min ⁻¹	
Wydajność uchwytu wiertarskiego		10 mm	
Możliwości	Stal	Wiertło śrubowe	10 mm
		Wiertło płaskie	25 mm
	Drewno	Wiertło kręte do drewna	16 mm
Waga (bez kabla)		1,3 kg	

* Sprawdź nazwę produktu, jako że ulega ona zmianie w zależności od miejsca zakupu.

WYPOSAŻENIE STANDARDOWE

- Klucz uchwytu (Spec. tylko dla uchwytu z kluczem)..... 1
Wposażenie standardowe może ulec zmianie bez uprzedzenia.

MOŻLIWE WYPOSAŻENIE DODATKOWE (sprzedawane oddzielnie)

- (1) Boczny uchwyt
(2) Haczyk
(3) Haczyk (A)
Dodatkowe akcesoria mogą ulec zmianie bez uprzedzenia.

ZASTOSOWANIE

- Wiercenie otworów w metalu, drewnie i plastyku.

PRZED UŻYCIEM

1. **Źródło mocy**
Upewnij się, że źródło mocy jest zgodne z wymogami mocy zaznaczonymi przy nazwie produktu.
2. **Przełącznik**
Upewnij się, że przełącznik jest wyłączony (pozycja OFF). Jeśli wtyczka jest włączona do prądu podczas gdy przełącznik jest włączony (pozycja ON), narzędzie zacznie działać natychmiast, co może spowodować poważny wypadek.
3. **Przedłużacz**
Kiedy miejsce pracy znajduje się daleko od źródła prądu, użyj przedłużacza o wystarczającym przekroju. Przedłużacz powinien być tak krótki jak tylko jest to możliwe.
4. **Wybór odpowiedniego wiertła:**
 - Do wiercenia w metalu lub plastyku
Używaj normalnych wiertel do metalu.
 - Do wiercenia w drewnie
Używaj normalnych wiertel do drewna.

Przy wierceniu otworów mniejszych niż 6,5 mm używaj jednak wiertła do metalu.

5. Mocowanie i wyjmowanie wiertła

Uchwyt z kluczem (Rys. 1)

- (1) Otwórz szczęki uchwytu i włóż wiertło do uchwytu.
- (2) Włóż klucz uchwytu do każdego z trzech otworów uchwytu i obracając kluczem zgodnie z ruchem wskazówek zegara (patrząc od przodu) zamocuj wiertło.
- (3) By wyjąć wiertło, włóż klucz do jednego z otworów w uchwycie i obróć klucz w kierunku przeciwnym do ruchu wskazówek zegara.

Uchwyt bez klucza (Rys. 2)

- (1) Otwórz szczęki uchwytu i włóż wiertło do uchwytu. Aby otworzyć szczęki uchwytu, schwyć pierścień i obracaj tuleję w kierunku przeciwnym do ruchu wskazówek zegara (patrząc z przodu).
- (2) Mocno schwyć pierścień i obracaj tuleję w kierunku zgodnym z ruchem wskazówek zegara. Zaciśnij uchwyt.
- (3) Aby wyjąć wiertło, mocno schwyć pierścień i obróć tuleję w kierunku przeciwnym do ruchu wskazówek zegara.
- (4) Kiedy poluzowanie tulei sprawia trudności, zablokuj trzpień obrotowy przy pomocy klucza płaskiego, mocno schwyć tuleję i obróć ją tak, by ją poluzować (w kierunku przeciwnym do ruchu wskazówek zegara patrząc od przodu). (Rys. 3)

6. Sprawdzanie kierunku obrotów (Rys. 4)

Wiertło obraca się w kierunku zgodnym z ruchem wskazówek zegara (patrząc od tyłu) po wciśnięciu przycisku ze strony oznaczonej literą R.

Wciśnięcie przycisku ze strony oznaczonej literą L służy do włączania obrotów w kierunku przeciwnym do ruchu wskazówek zegara.

(Litera (L) i (R) są umieszczone na obudowie narzędzia.)

7. Mocowanie uchwytu bocznego (Wyposażenie dodatkowe)

Uchwyt można montować po obu stronach urządzenia, odpowiednio dla osób praworęcznych i leworęcznych. Aby zamocować uchwyt boczny, wkręć go w otwór mocujący po wybranej stronie urządzenia i mocno dociśnij. (Rys. 6)

8. Mocowanie haczyka. (Wyposażenie dodatkowe)

Dla haczyka (o mocowaniu bocznym) (Rys. 7)

Zamocuj haczyk po wybranej stronie obudowy przeladni mocno dociskając sworzeń mocujący M10 dołączony do haczyka.

Dla haczyka (A) (do montażu góry) (Rys. 8)

Przed zamontowaniem haczyka (A) należy zdemontować tę część uchwytu, która przykrywa system elektryczny urządzenia. Ze względów bezpieczeństwa i ochrony przed porażeniem prądem elektrycznym, montowanie haczyka (A) w tej wiertarce należy zlecać JEDYNIEM AUTORYZOWANEMU CENTRUM OBSŁUGI HITACHI.

UWAGA:

Przy używaniu wiertarki z zainstalowanym haczykiem należy przestrzegać następujących zasad:

- Przed zawieszeniem głównego urządzenia na pasie narzędziowym należy upewnić się, że wiertło jest absolutnie nieruchome.
- Przed zawieszeniem urządzenia na pasie narzędziowym, wiertarkę należy odłączyć od źródła zasilania.
- Poruszanie się po terenie z wiertarką zawieszoną na pasie narzędziowym jest zabronione.

- W przypadku pracy na wysokości istnieje niebezpieczeństwo przypadkowego upuszczenia urządzenia. Jeśli haczyk jest zdeformowany lub zawieszony w niewłaściwej pozycji zachodzi niebezpieczeństwo ześlizgnięcia się haka i upadku urządzenia.

Pamiętaj, aby unikać niebezpiecznych sytuacji.

- Przy wierceniu otworów przelotowych wiertarka często ulega silnym wstrząsom, na przykład wtedy, gdy wiertło przebija się przez wierconą powierzchnię. W takich sytuacjach należy szczególnie uważać na to, by nie zranić się haczykiem.

JAK UŻYWAĆ WIERTARKI

1. Włączanie

- Gdy spust jest wciśnięty, urządzenie pracuje. Gdy spust zostanie zwolniony, urządzenie się zatrzymuje.
- Prędkością obrotową wiertła można sterować różnicując stopień wciśnięcia spustu. Prędkość jest mniejsza, gdy spust jest wciśnięty tylko trochę i wzrasta przy dalszym jego wciskaniu.
- Prędkość pracy wiertarki można ustawiać za pomocą pokręta kontroli prędkości. Przekręć pokrętło kontroli prędkości w kierunku zgodnym z ruchem wskazówek zegara, aby ustawić wyższą prędkość a w kierunku przeciwnym do ruchu wskazówek zegara, aby wybrać mniejszą prędkość. (Rys. 5)

- Wciśnięcie zatyczki po wciśnięciu spustu włącza narzędzie w tryb pracy, co jest przydatne przy pracy ciąglej. Przy wyłączeniu wiertarki zatyczkę wyłącza się ponownie wciskając spust.

2. Wiercenie

- Podczas wiercenia uruchamiaj narzędzie powoli i stopniowo zwiększaj prędkość obrotów.
- Wiertarkę dociskaj zawsze w kierunku wyznaczonym przez oś wiertła. Dociskaj narzędzie tylko na tyle, by końcówka wiertła mogła pobierać nowy materiał, nie dociskaj wiertarki zbyt mocno – możesz przeciążyć silnik i zatrzymać go lub wygiąć wiertło.
- By zminimalizować ryzyko unieruchomienia wiertła w otworze i gwałtownego przebicia się przez wiercony materiał pod koniec wiercenia otworu zmniejsz nacisk i pozwól, by wiertło popracowało pod mniejszym obciążeniem.
- Jeżeli wiertło utknie w otworze, natychmiast zwolnij spust i wyjmij wiertło z otworu – dopiero wtedy możesz ponownie uruchomić narzędzie i powrócić do wiercenia. Nie próbuj uruchamiać zablokowanej wiertarki wielokrotnie wciskając i zwalnając spust. Może to doprowadzić do jej uszkodzenia.
- Im większa średnica wiertła, z tym większą siłą wiertarka napiera na Twoje ramie. Używaj więc wiertarki ostrożnie, by nie ulec sile tej reakcji i nie utracić nad nią kontroli. By zachować pełnię kontroli nad wiertarką podczas pracy należy pewnie stać na ziemi, używać uchwytu bocznego, trzymać narzędzie mocno obiema rękami i upewnić się, że wiertło jest prostopadłe do powierzchni nawiercanego materiału.

KONSERWACJA I INSPEKCJA

1. Kontrola wiertel

Jako, że używanie tępych wiertel powoduje niewłaściwą pracę silnika i zmniejsza wydajność wiertarki, jeśli zauważysz, że wiertło się stępiło niezwłocznie wymień je na nowe lub naostrz.

2. Sprawdzanie śrub mocujących

Regularnie sprawdzaj wszystkie mocujące śruby i upewnij się, że są mocno przykręcone. Jeśli któraś z nich się obluzuje, natychmiast ją przykręć. Zaniedbanie tego może spowodować poważne zagrożenie.

3. Konserwacja silnika

Wirmnik silnika jest sercem narzędzia. Zadbaj, by wirnik nie został uszkodzony i nie zawilgotniał lub pokrył się olejem.

4. Kontrola szczoteczek węglowych

By praca z narzędziem zawsze była bezpieczna i aby uniknąć ryzyka porażenia prądem, węglowe szczoteczki tego narzędzia powinny być sprawdzane i wymieniane TYLKO przez Autoryzowane Centrum Obsługi Hitachi.

5. Lista części zamiennych

A: Nr części

B: Nr kodu

C: Ilość użytych części

D: Uwagi

UWAGA

Naprawy, modyfikacji i kontroli Narzędzi Elektrycznych Hitachi może dokonywać tylko Autoryzowane Centrum Obsługi Hitachi.

Ta lista części będzie przydatna, jeśli zostanie wręczona Autoryzowanemu Centrum Obsługi Hitachi, gdy zaniesiemy narzędzie do naprawy lub przeglądu.

Podczas używania i konserwacji narzędzi elektrycznych należy przestrzegać przepisów i norm bezpieczeństwa danego kraju.

MODYFIKACJE

Narzędzia elektryczne Hitachi są ciągle ulepszone i modyfikowane w celu wprowadzania najnowszych osiągnięć nauki i techniki

W związku z tym pewne części (a także numery kodów i konstrukcja) mogą ulec zmianom bez uprzedzenia.

WSKAZÓWKA

W związku z prowadzonym przez Hitachi programem badań i rozwoju, specyfikacje te mogą się zmienić w każdej chwili bez uprzedzenia.

Informacja dotycząca poziomu hałasu i wibracji

Mierzone wartości były określone według EN60745 i zadeklarowane zgodnie z ISO 4871.

Zmierzone ciśnienie akustyczne A: 75 dB (A)

Niepewność KpA: 3 dB (A)

Używaj ochroniacza uszu.

Typowa wartość skuteczna przyspieszenia wynosi:

2,5 m/s²

ÁLTALÁNOS BIZTONSÁGTECHNIKAI ELŐÍRÁSOK

FIGYELEM!

Olvassa végig az utasításokat

Az alábbi utasítások be nem tartása áramütést, tüzet és súlyos sérülést okozhat.

Az alábbi figyelmeztetésekben szereplő "elektromos szerszámgép" kifejezés az ön - hálózatról üzemeltetett (vezetékes) vagy akkumulátoros (vezeték nélküli) - elektromos szerszámgépére vonatkozik.

ŐRIZZE MEG AZ UTASÍTÁSOKAT

1) A munkahely

a) **A munkahelyet tartsa tisztán, és megfelelően világítsa meg.**

A túlzásfűtő és sötét munkahelyek vonzzák a baleseteket.

b) **Az elektromos szerszámgépeket ne használja robbanásveszélyes légterben, például gyúlékony folyadékok, gázok vagy por mellett.**

Az elektromos szerszámgépek szikrákat bocsáthatnak ki, melyek berobbanthatják a jelenlévő port.

c) **A szerszámgép működtetése közben tartsa távol a gyermekeket és a körülállókát.**

A figyelemelvonás a szerszámgép feletti kontroll elvesztését okozhatja.

2) Érintésvédelem

a) **Az elektromos szerszámgép dugaszának illeszkednie kell a hálózati csatlakozójelzatra.**

Semmilyen körülmények között ne módosítsa a dugaszt.

Ne használjon semmilyen átalakító dugaszt a földelt elektromos szerszámgéppel.

A módosítás nélküli dugaszok és a megfelelő aljzatok csökkentik az elektromos áramütés veszélyét.

b) **Ügyeljen arra, hogy munka közben ne érintsen meg földelt felületeket, pl. csővezetékeket, fűtőtesteket, tűzhelyeket vagy hűtőberendezéseket.**

Ha a kezelő teste földelve van, az áramütés veszélye megnő.

c) **Az elektromos szerszámgépeket ne tegye ki eső vagy nedvesség hatásának.**

Az elektromos szerszámgépbe kerülő víz növeli az áramütés veszélyét.

d) **Ne rongálja meg az elektromos csatlakozókábelet. A szerszámgépet ne hordozza a kábelnél fogva, és a villásdugót soha ne a kábelnél fogva húzza ki a dugaszolóaljzatból.**

Védje a kábelt a magas hőmérséklettől, olajtól és az éles sarkoktól.

A sérült vagy összegabalyodott vezetékek növelik az elektromos áramütés veszélyét.

e) **Ha a szabadban kell munkát végeznie, mindig csak az erre a célra alkalmas hosszabbító kábelt használjon.**

A kültéri használatra alkalmas hosszabbító használata csökkenti az elektromos áramütés veszélyét.

3) A testi épség védelme

a) **Mindig figyeljen oda a végzett munkára. Az elektromos szerszámgéppel végzett munka teljes figyelmet igényel.**

Ne használja a készüléket, ha nem érzi kipihentnek magát, ha kábítószer, alkohol vagy gyógyszer hatása alatt áll.

Egy pillanatnyi figyelmetlenség is súlyos sérülést okozhat.

b) **Használjon védőfelszerelést. Mindig használjon védőszemüveget.**

A védőfelszerelések, pl. a pormaszk, a csúszásbiztos biztonsági cipő, a védősisak és a füldugó használata csökkenti a sérülésveszélyt.

c) **Kerülje a gép véletlenszerű beindítását. Mielőtt a csatlakozó dugót a dugaszolóaljzatba bedugja, mindig győződjék meg róla, hogy a készülék ki van kapcsolva.**

Ne tartsa ujját az indító kapcsolón, ha hordozza a készüléket, és ne csatlakoztasson bekapcsolt készüléket az áramforrásra.

d) **Mielőtt a gépet bekapcsolja, mindig ellenőrizze, hogy kivette-e a készülékből a szerszámbeállító- illetve befogókulcsot.**

A forgó alkatrészben maradt szerszámbeállító- vagy befogókulcs személyi sérülést okozhat.

e) **Ne nyútsa ki a kezét túl nagy távolságra. Munka közben mindig álljon stabilan, és őrizze meg az egyensúlyát.**

Így a váratlan helyzetekben sem veszti el a szerszám feletti uralmát.

f) **Viseljen megfelelő munkaruhát. Munka közben ne viseljen bő öltözetet vagy ékszert. Haját, ruházatát és kesztyűjét tartsa távol a mozgó alkatrészekről.**

A bő öltözeteket, ékszereket vagy a hosszú hajat a mozgó alkatrészek elkapathatják.

g) **Ha a készülék rendelkezik porszivási, illetve -gyűjtési lehetőséggel, ügyeljen rá, hogy azok megfelelően legyenek csatlakoztatva és használva.**

A fenti eszközök használata csökkenti a por okozta veszélyt.

4) **Az elektromos szerszámgép használata és karbantartása**

a) **Ne erőltesse a szerszámot. Mindig az alkalmazásnak megfelelő szerszámot használjon.**

A megfelelő szerszámgép nominális teljesítményszinten jobban és biztonságosabban működik.

b) **Ne használja a szerszámot, ha a kapcsoló azt nem kapcsolja megfelelően be, illetve ki.**

A kapcsolóval nem szabályozható szerszámgép veszélyes, és azt meg kell javítani.

c) **Mindig húzza ki a dugaszoló aljzatról a csatlakozó dugót, mielőtt a készüléket beállításokat végezne, kicserélné a tartozékokat, vagy mielőtt eltárolná a készüléket.**

A fenti biztonsági óvintézkedések csökkentik a készülék véletlenszerű bekapcsolásának veszélyét.

d) **A használaton kívüli szerszámokat tárolja gyermekek által nem hozzáférhető helyen, és ne engedje, hogy a készüléket az üzemeltetéshez nem értő személyek használják.**

A gyakorlatlan használó kezében a szerszámgépek különösen nagy veszélyt jelentenek.

e) **A szerszámgépek karbantartása. Ellenőrizze a mozgó alkatrészek illesztését, rögzítését, és alkatrészek esetleges repedését és minden olyan**

tulajdonságot, mely hatással lehet a munkavégzésre.

Meghibásodás esetén használat előtt javítsa meg a készüléket.

A nem megfelelő karbantartás sok balesetet okoz.

- f) **A vágószerszámokat mindig tartsa élesen és tisztán.**

A megfelelően karbantartott - éles vágóélű-vágószerszámok kisebb eséllyel görbülnek el, és könnyebben irányíthatók.

- g) **Használja a szerszámgépet és a fűrőfejeket stb. az utasításoknak és az adott szerszámgép rendeltetésének megfelelően, mindig figyelembe véve a munkakörülményeket és az elvégzendő munka jellegét.**

A szerszámgép rendeltetéstől eltérő használata veszélyt okozhat.

5) Javítás

- a) **A szerszámot csak - eredeti cserealkatrészeket használó - szakképzett személlyel javíttassa. Így biztosítható a szerszámgép biztonságos üzemeltetése.**

ÖVINTÉZKEDÉS

A gyermekeket és a felügyeletre szoruló személyeket tartsa távol az elektromos szerszámgéptől.

A használaton kívüli szerszámgépeket gyermekektől és felügyeletre szoruló személyektől elzárva kell tartani.

A FÚRÓGÉP HASZNÁLATÁVAL KAPCSOLATOS ELŐVIGYÁZATOSSÁGI INTÉZKEDÉSEK

- Az útvefűrőgép használata közben viseljen fülvédőt. A zajnak való kitettség halláskárosodást okozhat.
- Használja a szerszámgéphez mellékelt kiegészítő fogantyút. Az ellenőrzés elvesztése személyi sérülést okozhat.
- Használat közben tartsa szilárdan a fűrőgépet.
- Ne viseljen olyan anyagból készült kesztyűt, amely hajlamos arra, hogy felcsavarodjon (pamut, gyapjú, textil vagy spárga, stb.)
- Falakra, mennyezetekbe vagy padlóba történő fúrás előtt győződjön meg arról, hogy azokban nem futnak elektromos vezetékek.

MŰSZAKI ADATOK

Feszültség (terület szerint)*		(110V, 220V, 230V, 240V) ~	
Névleges teljesítményfelvétel		460W*	
Üresjárat fordulatszám		0-2300 min ⁻¹	
Fúrótokmány kapacitás		10 mm	
Kapacitás	Acél	Csigafúró	10 mm
	Fa	Fafűrőhegy	25 mm
		Furdancsfúró	16 mm
Súly (tápkábel nélkül)		1,3 kg	

* Ne felejtse el ellenőrizni a típus táblán feltüntetett adatokat, mivel ezek eladási területenként változnak!

STANDARD TARTOZÉKOK

- Tokmánykulcs
(műszaki adatok csak kulcsos tokmányhoz)..... 1
A standard tartozékok előzetes tájékoztatás nélkül változhatnak.

TETSZÉS SZERINT VÁLASZTHATÓ TARTOZÉKOK (külön megrendelésre)

- (1) Oldalfogantyú
(2) Akasztó
(3) Akasztó (A)

A tetszés szerint választható tartozékok előzetes bejelentés nélkül bármikor változhatnak.

ALKALMAZÁSOK

- Lyukak fúrása fémbe, fába és műanyagba.

AZ ÜZEMBEHELYEZÉS ELŐTTI TENNIVALÓK

1. Áramforrás

Ügyeljen rá, hogy a készülék adattábláján feltüntetett feszültség értéke megegyezzen az alkalmazni kívánt hálózati feszültséggel.

2. Hálózati kapcsoló

Ügyeljen rá, hogy a hálózati kapcsoló KI állásba legyen kapcsolva. Ha a csatlakozódugót úgy csatlakoztatja a dugaszolóaljzatba, hogy közben a hálózati kapcsoló BE állásban van, a kéziszerszám azonnal működésbe lép, ami súlyos balesetet idézhet elő.

3. Hosszabbító vezeték

Ha a munkaterület az áramforrástól távol található, akkor egy megfelelő keresztmetszetű és teljesítményű hosszabbító vezetékkel kell alkalmazni.

4. A megfelelő fűrőhegy kiválasztása:

- Fém és műanyag fúrása esetén
Használjon normál fémmunkához való fűrőhegyeket.
 Fa fúrása esetén
Használjon normál famunkához való fűrőhegyeket.
Ha azonban 6,5 mm vagy ennél kisebb furatokat készít, használjon fémmunkához való fűrőhegyet.

5. A hegy beillesztése és eltávolítása

Kulcsos tokmány esetében (1. Ábra)

- Nyissa ki a tokmány szorítópfáit és helyezze be a hegyet a tokmányba.
- Illessze be a tokmánykulcsot a tokmány mindhárom lyukába és fordítsa el az óra járásával egyező irányban (a szerszám elejéről szemlélve), majd pedig biztonságosan szorítsa meg.

- (3) A hegy eltávolításához illesse be a tokmánykulcsot a tokmány egyik lyukába és fordítsa el az óra járásával ellenkező irányba.

Kulcs nélküli tokmány esetén (2. Ábra)

- (1) Nyissa ki a tokmány szorítópozáit és helyezze be a hegyet a tokmányba
A tokmány szorítópozáinak kinyitásához fogja le a gyűrűt, közben pedig forgassa a karmantyút az óra járásával ellentétes irányba (a szerszám elejéről szemlélve).
- (2) Erősen fogja meg a gyűrűt és forgassa a karmantyút az óra járásával egyező irányba, majd pedig biztonságosan szorítsa meg.
- (3) A hegy eltávolításához fogja meg erősen a gyűrűt és forgassa a karmantyút az óra járásával ellentétes irányba.
- (4) Amennyiben nehéz volna a karmantyú meglazítása, rögzítse az ersőt egy villáskulccsal, tartsa erősen a karmantyút, és fordítsa el a lazításnak megfelelő irányba (az óra járásával ellenkező irányba, ha a szerszám elejéről szemléljük) (3. Ábra)

6. A forgásirány ellenőrzése (4. Ábra)

A nyomógomb jobb oldalának R megnyomására a hegy az óramutató járásával egyező irányban forog (ha a szerszám hátulja felől szemléljük).

A hegynek az óramutató járásával ellenkező irányban történő forgatásához a nyomógomb bal oldalát L kell megnyomni.

(A bal és a jobb irány jelei (L) és (R) a szerszám házán található.)

7. Az oldalfogantyú felszerelése (Választható felszerelés)

A fogantyú a jobb- vagy balkezes használathoz a szerszám bármelyik oldalára felszerelhető.

Az oldalfogantyú felszerelése a menetes aljzatba történő becsavarással történik a szerszám hajtómű burkolatának tetszőleges oldalán. Ezt követően ne feledje el biztonságosan megszorítani. (6. Ábra)

8. Az akasztó csatlakoztatása. (választható tartozék)

Az (oldalra csatlakoztatott) akasztó (7. Ábra)

Rögzítse szilárdan az akasztót a hajtómű burkolat tetszőleges oldalán az akasztóval együtt szállított M10 csavar felhasználásával.

Az (Felül csatlakozó) akasztó (A) (8. Ábra)

Az akasztó (A) csatlakoztatásához le kell szerelni azt a fogantyú részt, amely a szerszám elektromos rendszerét takarja. Az Ön folyamatos biztonsága és az elektromos áramütés elleni védelem miatt az akasztót (A) erre a szerszámról CSAK HITACHI márkaszerviz szerelheti fel.

FIGYELEM:

Ha a kéziszerszámot úgy használja, hogy ahhoz akasztó van rögzítve, akkor az alábbi pontokra kell figyelnie.

- Mielőtt a fúróegységet a nadrágszíjára akasztaná, győződjön meg arról, hogy a fúró teljesen leállt.
- Amíg a szerszám a nadrágszíjra lóg, a hálózati csatlakozót ki kell húzni a dugaszoló aljzataból.
- Ne közeledjen úgy, hogy a kéziszerszám az övén lóg.
- Ha magas helyen dolgozik, akkor a szerszám véletlen eljutása veszélyes lehet. Ha az akasztó deformálódott, vagy ha rossz helyzetben van beakasztva, akkor fennáll a veszélye annak, hogy a szerszám kicsúszik és leesik. Kerülje el a veszélyhelyzeteket.

- Átmenő furat készítésekor a kéziszerszám néha erősen beremeg, például a munkadarab átszakításakor. Ügyeljen arra, hogy az akasztó ilyen eset előfordulásakor se okozzon sérülést.

HASZNÁLAT

1. A kapcsoló működtetése

- A kapcsoló lenyomása esetén a szerszám forog. A kapcsoló felengedése esetén a szerszám leáll.
- A fúró forgási sebességét a kapcsoló megnyomásának intenzitását változtatva tudjuk szabályozni. A kapcsoló enyhe megnyomásakor a fúró sebessége alacsony, és a nyomás fokozásával a sebesség is növekszik.
- A kívánt forgási sebességet a fordulatszám szabályzóval előre is kiválaszthatjuk. Magasabb fordulatszámhoz fordítsuk el a fordulatszám szabályzót az óramutató járásával megegyező irányban, alacsonyabb fordulatszámhoz pedig az óramutató járásával ellenkező irányban. (5. Ábra)

- A kapcsoló és az ütköző együttes megnyomásakor a fúró olyan bekapcsolt állapotban marad, amely kényelmes a folyamatos működéshöz. Kikapcsoláskor az ütközőt a kapcsoló ismételt megnyomásával lehet oldani.

2. Fúrás

- Fúrásuk kezdjük a fúrást lassan, majd pedig fúrás közben fokozatosan emeljük a fordulatszámot.
- Mindig a hegyes vonalban alkalmazzon nyomást. Alkalmazzon a fúráshoz elegendő nyomást, de ne nyomja annyira, hogy leálljon a motor, vagy pedig a hegy elhajoljon.

A motor leállításához vagy az anyag áttörésének minimalizálásához csökkentse a fúróra nehezedő nyomást és a lyuk utolsó részében könnyítve nyomja a hegyet.

- Ha a fúró leáll, azonnal engedje fel a kapcsolót, távolítsa el a hegyet a munkadarabból, és kezdje újra. Ne nyomkodja a kapcsolót a leállt fúró elindítását megkísérelve, ez ugyanis károsíthatja a fúrót.
- Minél nagyobb a fúróhegy átmérője, annál nagyobb a karra visszaható erő.
- Ügyeljen arra, hogy ezen visszaható erő miatt el ne veszítse a fúró feletti ellenőrzést.

A biztos ellenőrzéshez vesse meg alaposan a lábát, használja az oldalfogantyút, fogja erősen a fúrót mindkét kezével, és gondoskodjon arról, hogy a fúró függőlegesen hatoljon be a fúrandó anyagba.

ELLENŐRZÉS ÉS KARBANTARTÁS

1. A fúróhegyek ellenőrzése

Miután az elkopott fúróhegyek használata a motor hibás működését és a hatékonyság romlását okozhatja, a kopottság észlelésekor késedelem nélkül cserélje ki a fúróhegyeket új, vagy pedig megelezett hegyekre.

2. A rögzítő csavarok ellenőrzése

Rendszeresen ellenőrizzen minden rögzítő csavart, és ügyeljen rá, hogy azok megfelelően meg legyenek szorítva. Minden meglazult csavart azonnal szorítson meg. Ennek elhanyagolása súlyos veszélyeket hordoz magában.

3. A motor karbantartása

A motor tekeréscselése az elektromos szerszám "szíve". Gondosan ügyeljen rá, hogy a tekeréscselés ne sérüljön, illetve ne kerüljön kapcsolatba olajjal vagy vízzel.

4. A szénkefék ellenőrzése

Az Ön folyamatos biztonsága és az elektromos áramütés veszélyének elkerülése érdekében e szerszám szénkeféinek ellenőrzését és cseréjét **KIZÁRÓLAG** csak Hitachi Szakszervíz végezheti.

5. Szervizelési alkatrészlista

- A: Alkatrész-szám
- B: Kódszám
- C: Használt darabszám
- D: Megjegyzések

FIGYELEM

Hitachi kéziszerszámok javítását, módosítását és ellenőrzését csak Hitachi Szakszervíz végezheti.

Javítás vagy egyéb karbantartás esetén hasznos ha ezt a szervíz-alkatrész listát a szerszámmal együtt átadjuk a Hitachi szakszervíznek.

A kéziszerszámok üzemeltetése és karbantartása során be kell tartani az egyes országokban érvényben lévő biztonsági rendelkezéseket és szabványokat.

MÓDOSÍTÁSOK

A Hitachi kéziszerszámok állandó tökéletesítéseken mennek át, hogy alkalmazni tudják a legújabb műszaki fejlesztések eredményeit.

Éppen ezért egyes alkatrészek (azok kódszámai illetve kiviteli módjai) előzetes bejelentés nélkül megváltozhatnak.

MEGJEGYZÉS

A HITACHI folyamatos kutatási és fejlesztési programja következtében az itt szereplő műszaki adatok előzetes bejelentés nélkül változhatnak.

A környezeti zajra és vibrációra vonatkozó információk

A mért értékek az EN60745 szabványnak megfelelően kerültek meghatározásra és az ISO 4871 alapján kerülnek közzétételre.

Mért A hangnyomás-szint: 75 dB (A)

Bizonytalanság KpA: 3 dB (A)

Viseljen hallásvédelmi eszközt.

A jellemző súlyozott gyorsulás négyzetes középértéke:
2,5 m/s²

VŠEOBECNÉ BEZPEČNOSTNÍ PŘEDPISY

UPOZORNĚNÍ!

Prostudujte si všechny pokyny

Nedodržování všech níže uvedených pokynů může způsobit úraz elektrickým proudem, vznik požáru a/nebo vážné zranění. Pojem "elektrické nářadí" ve všech níže uvedených upozorněních se vztahuje na elektricky poháněné nářadí připojené (pomocí přívodní šňůry) k elektrické síti nebo na elektrické (bezšňurové) nářadí poháněné akumulátorem.

DODRŽUJTE TYTO POKYNY

1) Pracovní prostor

- a) Udržujte pracovní prostor v čistotě a zajistěte jeho dobré osvětlení.
Neuspořádaný pracovní prostor a neosvětlené plochy mohou být příčinou nehod.
- b) Neprovozujte elektrické nářadí ve výbušných prostředích, jako je například prostor s výskytem hořlavých kapalin, plynů nebo prachu.
Při provozu elektrického nářadí vznikají jiskry, které mohou vznítit prach nebo výparu.
- c) Zajistěte, aby se při provozu elektrického nářadí nezdřezovaly v blízkosti dětí nebo okolostojící osoby.
Odvedení pozornosti může způsobit ztrátu kontroly nad nářadím.

2) Elektrická bezpečnost

- a) Zástrčky elektrického nářadí musí odpovídat používané zásuvce.
Nikdy jakýmkoli způsobem neupravujte zástrčku. Nepoužívejte jakékoli rozvodné zástrčky s uzemněným (ukostřeným) elektrickým nářadím. Původní neupravené zástrčky a vhodné zásuvky snižují nebezpečí úrazu elektrickým proudem.
- b) Vyvarujte se kontaktu s uzemněnými nebo ukostřenými plochami, jako jsou např. trubky, radiátory, sporáky a chladničky.
Vzniká zvýšené nebezpečí úrazu elektrickým proudem, pokud je Vaše tělo uzemněné nebo ukostřené.
- c) Nevystavujte elektrické nářadí dešti nebo mokřým podmínkám.
Voda, která vnikne do elektrického nářadí, zvyšuje nebezpečí úrazu elektrickým proudem.
- d) Nezacházejte s přívodní šňůrou nevhodným způsobem. Nikdy nepoužívejte přívodní šňůru pro nošení, tahání nebo vypořádání elektrického nářadí. Zajistěte, aby se přívodní šňůra nedostala do kontaktu se zdroji tepla, olejem, ostrými hranami nebo pohyblivými se částmi.
Poškozené nebo zauzlené přívodní šňůry zvyšují nebezpečí úrazu elektrickým proudem.
- e) Při práci s elektrickým nářadím ve vnějších prostorách používejte prodlužovací šňůru vhodnou pro venkovní použití.
Použití přívodní šňůry vhodné pro venkovní prostředí snižuje nebezpečí úrazu elektrickým proudem.

3) Bezpečnost osob

- a) Buďte při práci vždy pozorní, sledujte prováděnou práci a během práce s elektrickým nářadím postupujte rozumně.
Nepoužívejte elektrické nářadí v případě únavy nebo pod vlivem drog, alkoholu nebo léků.

Pouhý okamžik nepozornosti při práci s elektrickým nářadím může způsobit vážné zranění.

- b) **Používejte ochranné pomůcky. Vždy používejte ochranu zraku.**

Ochranné pomůcky, jako jsou protiprachová maska, obuv s nekouzavou úpravou podrážky, ochranná přilba nebo chrániče sluchu použité pro vhodné podmínky sniží nebezpečí zranění.

- c) **Zajistěte, aby nedošlo k náhodnému spuštění nářadí. Zabejte, aby vypínač byl před zapojením do sítě v poloze vypnuto.**

Nošení elektrického nářadí s prstem na vypínači a připojování elektrického nářadí s vypínačem v poloze zapnuto může způsobit nehody.

- d) **Před zapnutím elektrického nářadí vymontujte všechny seřizovací klíče.**

Klíč upevněný na otáčející se části elektrického nářadí může způsobit zranění osob.

- e) **Zajistěte náležitou stabilitu při práci. Během práce je třeba vždy zaujmout náležitý a stabilní postoj.**

Tim se dosáhne lepšího ovládní elektrického nářadí v neočekávaných situacích.

- f) **Při práci používejte vhodný oděv. Nepoužívejte volný oděv nebo šperky. Zajistěte, aby se Vaše vlasy, oděv nebo rukavice nedostaly do kontaktu s pohyblivými se částmi nářadí.**

Volný oděv, šperky nebo dlouhé vlasy se mohou zachytit do pohyblivých se částí.

- g) **Pokud se používají zařízení pro připojení odsávání prachu a sběrných zařízení, zajistěte jejich správné zapojení a použití.**

Používejte tato zařízení pro snížení nebezpečí, která vznikají v prašném prostředí.

4) Použití a ošetřování elektrického nářadí

- a) **Netlačte na elektrické nářadí. Pro Váš způsob použití zvolte správné elektrické nářadí.**

Správné elektrické nářadí provede práci lépe a bezpečněji rychleji, pro které bylo konstruováno.

- b) **Nepoužívejte elektrické nářadí, pokud vypínač není funkční.**

Jakékoli elektrické nářadí, které nelze ovládat vypínačem, je nebezpečné a je třeba je opravit.

- c) **Při provádění jakýchkoli nastavení, změně příslušenství nebo uskladňování elektrického nářadí odpojte vždy zástrčku ze zdroje energie.**

Tato preventivní bezpečnostní opatření snižují nebezpečí náhodného uvedení elektrického nářadí do chodu.

- d) **Uložte nepoužívané elektrické nářadí mimo dosah dětí a nedovolte, aby osoby, které nejsou seznámeny s provozem elektrického nářadí a s těmito pokyny, toto elektrické nářadí používaly.**

Elektrické nářadí je v rukou nevyškoleného uživatele nebezpečné.

- e) **Provádějte údržbu elektrického nářadí. Zkontrolujte elektrické nářadí, zda je správně seřízené nebo nedochází k vážnutí chodu pohyblivých se částí, zda nejsou nějaké části poškozené a zda nevznikly jakékoli jiné poruchy, které mohou negativně ovlivnit provoz elektrického nářadí.**

V případě poškození si nechejte elektrické nářadí před použitím opravit.

Velký počet nehod je způsobeno nedostatečnou údržbou elektrického nářadí.

f) Udržujte řezné nástroje ostré a čisté.

Správným způsobem udržované řezné nástroje s ostrými břity mají menší sklon k uváznutí a snadněji se při práci ovládají.

g) Používejte elektrické nářadí, příslušenství, nástavce nástroje atd. ve shodě s těmito předpisy a způsobem stanoveným pro jednotlivý typ elektrického nářadí a přitom zohledněte pracovní podmínky a druh prováděné práce.

Použití elektrického nářadí pro práce odlišné od stanoveného účelu použití může způsobit nebezpečné situace.

5) Servis

a) Nechejte si provádět servis Vašeho elektrického nářadí kvalifikovanými opraváři a přitom používejte jen originální náhradní díly.

Tím se zajistí zachování bezpečnosti elektrického nářadí.

PREVENTIVNÍ OPATŘENÍ

Zajistěte, aby děti a nemocné osoby se nezdržovaly v blízkosti.

Pokud se nářadí nepoužívá, je třeba je uskladnit mimo dosah dětí a nemocných osob.

BEZPEČNOSTNÍ UPOZORNĚNÍ PŘI POUŽITÍ VRTAČKY

1. U přiklepových vrtaček používejte ochranu sluchu. V důsledku vystavení hluku může dojít ke ztrátě sluchu.
2. Používejte pomocné rukojeti dodané s nářadím. V případě ztráty kontroly může dojít k poranění osob.
3. Při práci pevně vrtačku přidržíte.
4. Nepoužívejte rukavice vyrobené z materiálu, který by se mohl smotat, jako například bavlna, vlna, tkanina nebo síťovina, atd.
5. Před vrtáním do zdí, stropů, nebo podlah se ujistěte, že uvnitř se nevyskytují žádné elektrické kabely nebo jiné sítě.

PARAMETRY

Napětí (podle oblastí)*		(110V, 220V, 230V, 240V) ~	
Vstupní příkon		460W*	
Rychlost bez zatížení		0–2300 min ⁻¹	
Upínací průměr nástroje ve sklíčidle		10 mm	
Kapacita	Ocel	Spirálový vrták	10 mm
	Dřevo	Plochý vrták	25 mm
		Hadovitý vrták	16 mm
Váha (bez napájecího kabelu)		1,3 kg	

* Zkontrolujte, prosíme, štítek na výrobku. Štítek podléhá změnám v závislosti na oblastech použití.

STANDARDNÍ PŘÍSLUŠENSTVÍ

- Klíč pro sklíčidlo
(Specifikace pouze pro sklíčidlo s klíčem) 1
Standardní příslušenství podléhá změnám bez upozornění.

**DOPLŇKOVÉ PŘÍSLUŠENSTVÍ
(prodává se zvlášť)**

- (1) Vysouvací držadlo
(2) Hák
(3) Hák (A)
Doplňky podléhají změnám bez předchozího upozornění.

POUŽITÍ

- Vrtání otvorů do kovu, dřeva a plastu.

PŘED POUŽITÍM

1. Zdroj napětí

Ujistěte se, že používaný zdroj napětí splňuje požadavky specifikované na štítku výrobku.

2. Spínač

Ujistěte se, že spínač je v poloze vypnuto. Pokud je zástrčka zasunuta v zásuvce elektrického proudu a spínač je v poloze „ON“, nástroj začne okamžitě pracovat, a to může způsobit vážný úraz.

3. Prodlužovací kabel

Pokud je pracoviště vzdáleno od zdroje, použijte prodlužovací kabel o správné tloušťce a kapacitě. Je třeba, aby prodlužovací kabel byl co nejkratší.

4. Výběr vhodného vrtáku:

- Pro vrtání do kovu nebo plastu
Použijte standardní vrtáky pro obrábění kovů.
- Pro vrtání do dřeva
Použijte standardní vrtáky pro obrábění dřeva. Nicméně, při vrtání otvorů s průměrem 6,5 mm nebo menším použijte vrtáky pro obrábění kovů.

5. Upevnění a vyjmutí vrtáku

Pro sklíčidla dotahovaná klíčem (Obr. 1)

- (1) Otevřete čelisti sklíčidla a vložte do něj vrták.
- (2) Umístěte klíč pro dotahování sklíčidla do některého ze tří otvorů ve sklíčidle a otočte jím po směru hodinových ručiček (při pohledu z přední strany). Pečlivě dotáhněte.
- (3) Vyjmutí vrtáku provedete tak, že klíč vložíte do jednoho z otvorů ve sklíčidle a otočte jím proti směru hodinových ručiček.

Pro sklíčidla bez klíče (Obr. 2)

- (1) Otevřete čelisti sklíčidla a vložte do něj vrták. Čelisti sklíčidla otevřete tak, že podržíte kroužek a otočíte pouzdrzem proti směru hodinových ručiček (při pohledu z přední strany).
- (2) Pevně uchopte kroužek a otočte pouzdrzem po směru hodinových ručiček. Pečlivě dotáhněte.

- (3) Vyjmutí vrtáku provedete tak, že pevně uchopíte kroužek a otočíte pouzdrům proti směru hodinových ručiček.
- (4) Pokud lze pouzdro povolit jenom obtížně, zablokujte hřídel pomocí plochého klíče a pevně pouzdro pozdržte, a otočte jím ve směru, ve kterém se povoluje (proti směru hodinových ručiček při pohledu z přední strany). (Obr. 3)

6. Zkontrolujte směr otáčení (Obr. 4)

Vrták se otáčí po směru hodinových ručiček (při pohledu ze zadní strany) při stisku strany tlačítka označené písmenem R.

Stranu označenou písmenem L stiskněte v případě, že chcete, aby se vrták otáčel proti směru hodinových ručiček.

(Značky (L) a (R) jsou umístěny na těle vrtáčky.)

7. Montáž boční rukojeti (volitelné příslušenství)

Boční rukojeť je možné namontovat na jednu ze stran nástroje pro pravostanné nebo levostranné použití. Montáž boční rukojeti provedete jejím zašroubováním do otvoru na požadované straně krytu převodu a pečlivým dotažením. (Obr. 6)

8. Připevnění háku. (volitelné příslušenství)

Pro hák (boční montáž) (Obr. 7)

Upevněte hák na požadovanou stranu krytu převodu pomocí šroubu M10, který je dodaný s hákem.

Pro hák (A) (ontáž seshora) (Obr. 8)

K připevnění háku (A) je nutné demontovat část rukojeti, která zakrývá elektrický systém nástroje. K zajištění trvalé bezpečnosti a ochrany před úrazem elektrickým proudem by mělo být připevnění háku (A) na této vrtačce provedeno VÝHRADNĚ autorizovaným servisním střediskem HITACHI.

POZOR:

Pokud používáte nástroj s připevněným hákem, věnujte pozornost následujícím pokynům:

- Před zavěšením nástroje na opasek se ujistěte, že vrtáčka se zcela přestala otáčet. Pokud máte nástroj zavěšený na opasku, napájecí zástrčka musí být odpojena od zdroje.
- Nepřecházejte s nástrojem zavěšeným na opasku.
- V případě používání na vysokém místě hrozí nebezpečí náhodného upuštění nástroje. Pokud dojde k deformaci háku nebo k zavěšení nástroje v nevhodné poloze, existuje nebezpečí, že hák vyklouzne a nástroj spadne. Pracujte opatrně a vyhýbejte se nebezpečným situacím.
- Při vrtání otvorů se někdy nástroj silně zachvěje v okamžiku, kdy dojde k proražení skrz obrobek. Proto buďte opatrní, abyste se v takovém případě o hák nezranili.

ZPŮSOB POUŽITÍ

1. Funkce spínače

- Pokud je spínač (spoušť) stisknuta, nástroj se začne otáčet. Pokud je spínač (spoušť) uvolněn, nástroj se otáčet přestane.
- Rychlost otáčení vrtáčky lze řídit změnou přítlaku na tlačítko spínače. Otáčky jsou nižší, pokud na tlačítko působíte menší silou a zvyšují se úměrně se zvýšením přítlaku prstu.
- Požadované otáčky lze navolit pomocí otočného ovladače.

Otočte ovladačem po směru hodinových ručiček a zvýšte otáčky, naopak otočením proti směru hodinových ručiček je snižíte. (Obr. 5)

- Stiskem tlačítka a současným stiskem zářáky je nástroj trvale zapnutý, což je vhodné pro jeho dlouhodobější použití. Pokud nástroj potřebujete vypnout, stačí znovu pevněji stisknout spínač (spoušť).

2. Vrtání

- Při vrtání spusťte vrtáčku na nízké otáčky a pak je postupně zvyšujte.
- Vždy působte silou rovně, v jedné ose s vrtákem. Působte takovou silou, aby nástroj trvale vrtal do materiálu, ale natlačte příliš, aby nedošlo k zastavení motoru nebo k ohnutí vrtáku.
- K minimalizaci nebezpečí zastavování vrtáku nebo pronášení skrze vrtaný materiál se doporučuje snížit přítlak na vrtáčku a nechat vrták proniknout skrze materiál volně a pomaleji.
- Pokud se vrtáčka přestane otáčet, uvolněte ihned spínač, vytáhněte vrták z materiálu a začněte pracovat znovu. Nezapínejte střídavě spínač a nepokoušejte se roztočit zastavenou vrtáčku. Mohlo by dojít k jejímu poškození.
- Čím větší je průměr vrtáku, tím větší bude reakční síla působící na vaši paži. Buďte opatrní, abyste neztratili kontrolu nad vrtáčkou v důsledku této reakční síly. K udržení pevné kontroly nad nástrojem je vhodné pevně zapřít svůj postoj, používat boční rukojeť, držet vrtáčku pevně oběma rukama a zajistit, aby byla směřována svisle do materiálu, který vrtáte.

ÚDRŽBA A KONTROLA

1. Kontrola vrtáků

Protože použití opotřebovaného vrtáku způsobí přetěžování a poruchy motoru či jeho sníženou účinnost, vyměňte vrták za nový nebo naostřený vždy neprodleně poté, co si všimnete jeho utupení.

2. Kontrola šroubů

Pravidelně zkontrolujte všechny šrouby a ujistěte se, že jsou správně utažené. Pokud najdete některé šrouby uvolněné, ihned je utáhněte. Neutažené šrouby mohou vést k vážnému riziku.

3. Údržba motoru

Vinutí motoru je srdce elektrického zařízení. Ujistěte se, že vinutí není poškozené nebo vlhké vodou nebo olejem.

4. Kontrola uhlíkových kartáčků

V zájmu zachování bezpečnosti a ochrany před úrazem elektrickým proudem by kontrola a výměna uhlíkových kartáčků tohoto zařízení mělo provádět POUZE Autorizované servisní středisko Hitachi.

5. Seznam servisních položek

- A: Číslo položky
- B: Kód položky
- C: Číslo použití
- D: Poznámky

POZOR

Opravy, modifikace a kontroly zařízení Hitachi musí provádět Autorizované servisní středisko Hitachi. Tento seznam servisních položek bude užitečný, předložíte-li jej s vaším zařízením Autorizovanému servisnímu středisku Hitachi společně s požadavkem na opravu nebo další servis. Při obsluze a údržbě elektrických zařízení musí být

dodržovány bezpečnostní předpisy a normy platné v každé zemi, kde je výrobek používán.

MODIFIKACE

Výrobky firmy Hitachi jsou neustále zdokonalovány a modifikovány tak, aby se zavedly nejposlednější výsledky výzkumu a vývoje.

Následně, některé díly (např. čísla kódů nebo návrh) mohou být změněny bez předešlého oznámení.

POZNÁMKA

Vlivem stále pokračujícího výzkumného a vývojového programu HITACHI mohou zde uvedené parametry podléhat změnám bez předchozího upozornění.

Informace o hluku a vibracích

Měřené hodnoty byly určeny podle EN60745 a deklarovány ve shodě s ISO 4871.

Změřená vážená hladina akustického tlaku A: 75 dB (A)
Neurčitost KpA: 3 dB (A)

Použijte ochranu sluchu.

Typická vážená střední hodnota zrychlení nepřesahuje 2,5 m/s²

GENEL GÜVENLİK KURALLARI

DİKKAT!

Bütün talimatları okuyun

Aşağıda belirtilen talimatların tümünün uygulamaması, elektrik çarpması, yangın ve/veya ciddi yaralanmalara sonulanabilir.

Aşağıdaki uyarılarda belirtilen "Elektrikli alet" terimi, iřletilen (kablolu) veya (kablesuz) ana elektrik aletlerini kapsar.

BU TALİMATLARI SAKLAYINIZ

1) Çalışma ortamı

a) Çalışma ortamı temiz ve iyi ışıklandırılmış olmalıdır.

Dağınık ve karanlık ortamlar kazanın davetçisidir.

b) Yanıcı sıvıların, gazların veya tozların bulunduğu patlayıcı ortamlarda elektrikli aletlerle çalışmayınız.

Elektrikli aletler kıvılcım sıçratabilir ve de gaz tozlarını ateşleyebilir.

c) Elektrikli alet kullanırken ocuklardan ve seyircilerden uzak tutun.

Dikkat dağıtıcı şeyler kontrolü kaybetmenize yol açabilir.

2) Elektrik güvenliđi

a) Elektrikli aletin fiři prize uygun olmalıdır.

Fiři hibir şekilde deđiřtirmeye çalışmayın. Elektrikli aletin topraklanmış fiřinde herhangi bir adaptör kullanmayın.

Deđiřtirilmemiş fiřler ve onlarla uygun prizler elektrik çarpmaya riskini azaltır.

b) Boru, radyatör, ocak/fırın ve buzdolabı gibi topraklanmış yüzeylerle vücut temasından sakının.

Vücutünüzdün toprakla temasa gemesi elektrik çarpmaya riskini artırır.

c) Elektrikli aletleri yağmur ve ıslak ortamlara maruz bırakmayın.

Elektrikli aletin içersine su girmesi elektrik çarpmaya riskini artırır.

d) Güç kablosuna zarar vermeyin. Elektrikli aleti taşımak, çekmek veya prizden çıkarmak için kabloyu kullanmayın.

Kabloyu kesici veya hareketli paralardan, sıcak yüzeylerden ve yağdan uzak tutun.

Hasar görmüş veya dolaşmış kablolar elektrik çarpmaya riskini artırır.

e) Elektrikli aleti açık alanlarda kullanırken, açık alana özel uzatma kablosu kullanın.

Açık alana özel kablolar elektrik çarpmaya riskini azaltır.

3) Kişisel güvenliđ

a) Daima tetikte olun, elektrikli aleti kullanırken ne yaptığınızın farkında ve duyarlı olun.

Elektrikli aleti alkol, ilaç veya uyuşturucu etkisi altındayken veya yorgunken çalıştırmayın.

Elektrikli aleti kullanırken gösterilecek bir saniyelik dikkatsizlik, ciddi yaralanmalara yol açabilir.

b) Koruyucu ekipman kullanın. Daima koruyucu gözlük takın.

Toz maskesi, kaymayan emniyet ayakkabısı, sert başlık veya iřitme koruyucusu gibi kořullara uygun olan ve yaralanma riskini azaltıcı koruyucu ekipmanlar kullanın.

c) Aletin istem dışı çalışmasına karşı önlem alın. Prize takmadan önce şalter düğmesinin kapalı konumda olduğundan emin olun.

Elektrikli aleti parmağınız şalter üzerinde olduğu halde taşımak veya prize takmak kazanın davetçisidir.

d) Elektrikli aleti çalıştırmadan önce ayar anahtarlarını çıkartın.

Elektrikli aletin dönen kısmına takılı kalmış olan bir anahtar, yaralanmalara yol açabilir.

e) Fazla uzanmayın. Ayaklarınızın konumuna ve dengeye her zaman dikkat edin.

Böylece beklenmedik bir durumla karşılaştığınızda, elektrikli aleti daha iyi kontrol altında tutmanızı sağlar.

f) Uygun çalışma giysisi giyin. Bol giysiler ve takılardan kaçının. Saçınızı, giysilerinizi ve eldiveninizi hareketli paralardan uzak tutun.

Bol giysiler, takılar veya uzun saç oynayan paralara takılabilir.

g) Toz toplama bağlantısı için gerekli teçhizat ve bağlantı araçları sağlanmışsa, bunların bağlı olduğundan ve doğru şekilde kullanıldığından emin olun.

Bu teçhizatların kullanılması tozun yaratacağı tehlikeleri azaltacaktır.

4) Elektrikli aletin kullanımı ve bakımı

a) Elektrikli aleti zorlamayın. Yapacağınız işe uygun doğru aleti kullanın.

Doğru elektrikli aletin kullanılması işinizi hem kolaylaştıracak gibi hem de tasarlanmış süratte daha güvenli bir şekilde yapmanızı sağlar.

b) Eğer elektrikli aletin şalter düğmesi açılıp kapanmıyorsa, aleti kullanmayın.

Şalter düğmesinden kumanda edilemeyen elektrikli aletler tehlike yaratır ve tamir edilmeleri gerekir.

c) Aksesuar deđişimlerinde, ayarlamalar sırasında veya elektrikli alet saklamadan önce elektrik bağlantısını kesin.

Bu gibi önleyici emniyet tedbirleri elektrikli aletin istem dışı çalışmaya riskini azaltır.

d) Kullanılmayan elektrikli aletleri ocukların ulaşamayacağı yerlerde tutun. Aleti kullanmasını bilmeyen ve bu talimatlara aşına olmayan kişilere kullandırmayın.

Elektrikli aletler deneyimsiz ve eğitilmemiş kişilerin eline tehlikeli olur.

e) Elektrikli aletin bakımını yapın. Hareketli paraların yapışmamasını, kırık olmasını, düzensiz hizalanmasını veya aletin işletimini etkileyecek herhangi bir durumun olmadığını kontrol edin.

Çoğ u kazaya yetersiz bakımlı elektrikli aletleri neden olur.

f) Aletlerinizi keskin ve temiz tutun.

Düzenli bakımı yapılmış keskin uçlu takımların yapışma ihtimali azdır ve de kontrol edilmeleri daha kolaylaşır.

g) Elektrikli aleti, aksesuarları ve uçları vs. bu talimatlar doğrultusunda ve o elektrikli aletin amaçlanan kullanımı için, çalışma kořullarını ve de yapılacak işi göz önüne alarak kullanın.

Elektrikli aletin amaçlanan kullanımı dışında kullanılması tehlikeli bir durum yaratabilir.

5) Servis

- a) Elektrikli aleti vasıflı bir kişi tarafından sadece özdeş yedek parçalar kullanarak tamir edilmesini sağlayın. Böylece elektrikli aletin güvenli kullanımı sağlanacaktır.

ÖNLEM

Çocukları ve diğer yeterli güce sahip olmayan kişileri uzak tutun.

Kullanılmadığı zamanlarda aleti çocuk ve yeterli güce sahip olmayan kişilerin ulaşamayacağı bir yerde saklayın.

MATKABIN KULLANIMIYLA İLGİLİ ÖNLEMLER

1. Darbeli matkaplarla kulak koruyucu kullanın. Gürültüye maruz kalma işitme kaybına yol açabilir.
2. Aletle gelen yardımcı kolları kullanın. Aletin kontrolden çıkması yaralanmalara sebep olabilir.
3. Kullanım sırasında matkabı sağlam bir şekilde tutun.
4. Pamuklu, yün, kumaş veya ipikli gibi kayabilececek malzemeden yapılmış eldivenler takmayın.
5. Duvar, tavan veya zemini delmeden önce içlerinde elektrik kablosu veya kanal olmadığından emin olun.

TEKNİK ÖZELLİKLER

Voltaj (bölgelere göre)*		(110V, 220V, 230V, 240V) ~	
Güç girişi		460W*	
Yüksüz hız		0-2300 dak ⁻¹	
Mandren kapasitesi		10 mm	
Kapasite	Çelik	Çevirme Ucu	10 mm
	Ahşap	Düz Spatula Uç	25 mm
		Ağaç burgusu	16 mm
Ağırlık (kordonsuz)		1,3 kg	

* Bu değer bölgeden bölgeye değişiklik gösterdiği için ürünün üzerindeki plakayı kontrol etmeyi unutmayın.

STANDART AKSESUARLAR

- Mandren ucu (Sadece anahtarlı mandren için özellikler) ... 1 Standart aksesuarlarda önceden bildirimde bulunulmadan değişiklik yapılabilir.

İSTEĞE BAĞLI AKSESUARLAR (ayrıca satılır)

- (1) Yan Kol
(2) Askı
(3) Askı (A)

İsteğe bağlı aksesuarlarda önceden bildirimde bulunulmadan değişiklik yapılabilir.

UYGULAMALAR

- Metal, ağaç ve plastikte delik açma.

ALETİ KULLANMADAN ÖNCE

1. Güç kaynağı

Kullanılan güç kaynağının, ürünün üzerinde bulunan plakada belirtilen güç gerekliliklerine uygun olduğundan emin olun.

2. Açma/ Kapama anahtarı

Açma/ kapama anahtarının OFF konumunda olduğundan emin olun. Açma/ kapama anahtarı ON konumundayken aletin fişi prize takılırsa, alet derhal çalışmaya başlar ve ciddi kazalar meydana gelebilir.

3. Uzatma kablosu

Çalışma alanı güç kaynağından uzakta olduğunda, yeterli kalınlıkta ve belirtilen gücü kaldırabilen bir uzatma kablosu kullanın. Uzatma kablosu olabildiğince kısa tutulmalıdır.

4. Uygun matkap ucunu seçme:

- Metal veya plastikte delik açarken Normal metal işleme matkap uçlarını kullanın.
○ Ağaçta delik açarken Normal ağaç işleme matkap uçlarını kullanın. Ancak 6,5 mm veya daha küçük delikler açarken, metal işleme matkap ucu kullanın.

5. Ucu takılması ve çıkarılması

Anahtarlı mandren için (Şekil 1)

- (1) Mandren ağızlarını açın ve ucu mandrene yerleştirin.
- (2) Mandrendeki üç deliğin her birine mandren ucunu takın ve saat yönünde çevirin (önden bakıldığında). İyice sıkıştırın.
- (3) Ucu çıkarmak için, mandren ucunu mandrendeki deliklerden birine takın ve saatin ters yönünde çevirin.

Anahtarsız mandren için (Şekil 2)

- (1) Mandren ağızlarını açın ve ucu mandrene yerleştirin. Mandren ağızlarını açmak için segmanı saatin ters yönünde (önden bakıldığında) çevirirken halkayı tutun.
- (2) Halkayı sıkıca kavrayın ve segmanı saat yönünde çevirin. İyice sıkıştırın.
- (3) Ucu çıkarmak için halkayı sıkıca kavrayın ve segmanı saatin ters yönünde çevirin.
- (4) Segmanı gevşetmek zorsa, açık uçlu anahtarı kullanarak mil sabitleyin, segmanı sıkıca tutun ve gevşetme yönünde çevirin (önden bakıldığında saatin ters yönünde). (Şekil 3)

6. Dönme yönünü kontrol edin (Şekil 4)

Kilit iğnesinin R tarafına basıldığında uç saat yönünde (arkadan bakıldığında) döner.

Ucu saatin ters yönünde döndürmek için kilit iğnesinin L tarafına basılır.

(L) ve (R) işaretleri gövdenin üzerindedir.)

7. Yan kolun takılması (İsteğe bağlı aksesuar)

Sağ veya sol elle kullanım için aletin her iki tarafına da bir yan kol takılabilir.

Yan kolu takmak için, dişli kapağının istenen tarafındaki sokete vidalayın ve sağlam bir şekilde sıkıştırın. (Şekil 6)

8. Askının takılması. (İsteğe bağlı aksesuar)**Askı için (yandan takılan) (Şekil 7)**

Askıyla birlikte verilen M10 somunu kullanarak askıyı, dişli kapağının istenen tarafına iyice sabitleyin.

Askı için (A) (Üstten takmalı) (Şekil 8)

Askıyı takmak için (A), aletin elektrik sistemini örten sap bölümünü sökmek gerekir. Kendi güvenliğiniz ve elektrik çarpmasına karşı korunmanız için bu matkapta askı sadece HITACHI YETKİLİ SERVİS MERKEZİ tarafından takılmaktadır.

DİKKAT:

Alet, askı takılı olarak kullanıldığında aşağıdaki hususlara dikkat edin:

- Ana üniteyi bel kayışına asmadan önce matkabın tamamen durduğundan emin olun.
- Bel kayışına asılıyken, fişin güç kaynağından sökülmesi gerekir.
- Alet bel kayışına asılıyken dolaşmayın.
- Yüksek bir yerde çalışırken aletin yanlışlıkla düşürülmesi tehlikeli olabilir. Askı deforme olmuşsa veya yanlış yerden asılmışsa, askının kayması ve aletin düşmesi tehlikesi vardır.
- Tehlikelerden kaçınmaya özen gösterin.
- İki tarafı açık bir delik açarken, örneğin, üzerinde çalıştığınız parça delindiğinde alet bazen şiddetli bir şekilde sallanır. Böyle bir durumda askının sizi yaralamamasına özen gösterin.

NASIL KULLANILIR**1. Şalterin çalışması**

- Anahtar basıldığında alet döner.
- Anahtar bırakıldığında alet durur.
- Matkabın dönme hızı anahtar şalterinin çekilme miktarını değiştirerek kontrol edilebilir. Anahtar şalteri hafifçe çekildiğinde hız düşüktür, şalter daha fazla çekildiğinde hız artar.
- İstenen dönüş hızı, hız kontrol düğmesi ile önceden seçilebilir.
- Hızı artırmak için hız kontrol düğmesini saat yönünde, düşürmek için de saatin ters yönünde çevirin. (Şekil 5)
- Anahtarı çekip durdurucuyu ittiğinizde, sürekli çalışma için rahat olacak şekilde matkap açık kalır. Kapatılırken, durdurucu anahtarı yeniden çekerek ayrılabilir.

2. Delik delme

- Delik delme sırasında matkabı önce yavaş çalıştırın sonra çalışırken hızı kademeli olarak artırın.
- Uçla daima düz bir çizgi halinde baskı uygulayın. Delik delmeye yetecek kadar baskı uygulayın ama motoru durduracak veya ucu eğecek kadar sert itmeyin.
- Matkabın durmasını veya malzemenin kırılmasını en aza indirmek için deliğin sonuna doğru matkabın üzerindeki baskıyı azaltın ve ucu rahatlatın.
- Matkap duracak olursa, anahtarı hemen serbest bırakın, ucu üzerinde çalıştığınız işten ayırın ve tekrar başlayın. Durmuş bir matkabı yeniden çalıştırmak için anahtarı açıp kapamayın. Bu, matkaba zarar verebilir.

- Matkap ucunun çapı arttıkça kolunuza gelen tepki kuvveti daha yüksek olur.
- Bu kuvvetten dolayı matkabın kontrolünü kaybetmemeye özen gösterin.
- Kontrolü koruyabilmek için ayağınızı sağlam basın, yan kolu kullanın, matkabı iki elinizle sıkı tutun ve matkabın delinen malzemeye dik durduğundan emin olun.

BAKIM VE İNCELEME**1. Matkap uçlarının incelenmesi**

Yıpranmış matkap uçlarının kullanılması motorda arızaya ve verimlilikte düşüğe neden olacağından, yıpranma gördüğünüzde matkap uçlarını yenisiyle değiştirin veya bileyin.

2. Montaj vidalarının incelenmesi

Tüm montaj vidalarını düzenli olarak inceleyin ve sağlam şekilde sıkılı olduğundan emin olun. Gevşeyen vidaları derhal sıkın. Gevşemiş vidalar ciddi tehlikelere yol açabilir.

3. Motorun incelenmesi

Motor biriminin sargıları, bu ağır iş aletin "kalbidir". Sargının hasar görmediğinden ve/veya yağ ya da su ile ıslanmadığından emin olun.

4. Karbon fırçaların gözden geçirilmesi

Güvenliğinizi sağlamak için ve elektrik şokuna karşı koruma sağlamak amacıyla bu takım üzerindeki karbon fırçaların gözden geçirilmesi ve değiştirilmesi YALNIZCA Hitachi yetkili Servis Merkezi tarafından yapılmalıdır.

5. Servis parçaları listesi

- A: Parça no.
- B: Kod no.
- C: Kullanılan sayı
- D: Açıklamalar

DİKKAT

Hitachi Güç Takımlarının onarımı, modifikasyonu ve gözden geçirilmesi Hitachi yetkili Servis Merkezi tarafından yapılmalıdır.

Hitachi yetkili Servis Merkezine tamir ya da bakım amacıyla başvurulduğunda Parça Listesinin takım ile birlikte verilmesi faydalı olacaktır.

Güç takımlarının çalıştırılması ve bakımlarının yapılması esnasında her ülke için belirtilen güvenlik düzenlemelerine ve standartlarına uyulması gerekmektedir.

DEĞİŞİKLİKLER

Hitachi Ağır İş Aletleri en son teknolojik ilerlemelere uygun olarak sürekli değiştirilmekte ve geliştirilmektedir. Dolayısıyla, bazı kısımlarda (örneğin kod numaraları ve/veya tasarım gibi) önceden bildirimde bulunulmadan değişiklik yapılabilir.

NOT:

HITACHI'nin süregelen araştırma ve geliştirme programına bağlı olarak burada belirtilen teknik özelliklerde önceden bildirimde bulunulmadan değişiklik yapılabilir.

Havadan yayılan gürültü ve titreşimle ilgili bilgiler

Ölçülen değerlerin EN60745 ve ISO 4871'e uygun olduğu tespit edilmiştir.

Ölçülmüş A-ağırlıklı ses basınç seviyesi: 75 dB (A)

Belirsiz KpA: 3dB (A)

Kulak koruyucusu kullanın.

Tipik ağırlıklı ortalama karekök ivme değeri: 2,5 m/s²

ОБЩИЕ ПРАВИЛА ПО ТЕХНИКЕ БЕЗОПАСНОСТИ**ПРЕДУПРЕЖДЕНИЕ!****Прочтите руководство по эксплуатации**

Невыполнение всех приведенных ниже положений данного руководства может привести к поражению электрическим током, пожару и/или к серьезной травме. Термин "электроинструмент" в контексте всех приведенных ниже мер предосторожности относится к эксплуатируемому Вами электроинструменту с питанием от сетевой розетки (с сетевым шнуром) или электроинструменту с питанием от аккумуляторной батареи (беспроводному).

СОХРАНИТЕ ДАННОЕ РУКОВОДСТВО**1) Рабочее место**

- a) **Поддерживайте чистоту и хорошее освещение на рабочем месте.**

Беспорядок и плохое освещение на рабочих местах приводит к несчастным случаям.

- b) **Не используйте электроинструменты во взрывоопасных окружающих условиях, например, в непосредственной близости от огнеопасных жидкостей, горячих газов или легко воспламеняющейся пыли.**

Электроинструменты порождают искры, которые могут воспалить пыль или испарения.

- c) **Держите детей и наблюдателей на безопасном расстоянии во время эксплуатации электроинструмента.**

Отвлечение внимания может стать для Вас причиной потери управления.

2) Электробезопасность

- a) **Штепсельные вилки электроинструментов должны соответствовать сетевой розетке. Никогда не модифицируйте штепсельную вилку никоим образом.**

Не используйте никакие адаптерные переходники с заземленными (замкнутыми на землю) электроинструментами.

Немодифицированные штепсельные вилки и соответствующие им сетевые розетки уменьшат опасность поражения электрическим током.

- b) **Не прикасайтесь телом к заземленным поверхностям, например, к трубопроводам, радиаторам, кухонным плитам и холодильникам.**

Если Ваше тело соприкоснется с заземленными поверхностями, возрастает опасность поражения электрическим током.

- c) **Не подвергайте электроинструменты воздействию дождя или влаги.**

При попадании воды в электроинструмент возрастает опасность поражения электрическим током.

- d) **Правильно обращайтесь со шнуром. Никогда не переносите электроинструмент, взявшись за шнур, не тяните за шнур, и не дергайте за шнур с целью отсоединения электроинструмента от сетевой розетки. Располагайте шнур подальше от источников тепла, нефтепродуктов, предметов с острыми кромками и движущихся деталей.**

Поврежденные или запутанные шнуры увеличивают опасность поражения электрическим током.

- e) **При эксплуатации электроинструмента вне помещений, используйте удлинительный шнур, предназначенный для использования вне помещения.**

Использование шнура, предназначенного для работы вне помещений, уменьшит опасность поражения электрическим током.

3) Личная безопасность

- a) **Будьте готовы к неожиданным ситуациям, внимательно следите за своими действиями и руководствуйтесь здравым смыслом при эксплуатации электроинструмента.**

Не используйте электроинструмент, когда Вы устали или находитесь под влиянием наркотиков, алкоголя или лекарственных препаратов.

Мгновенная потеря внимания во время эксплуатации электроинструментов может привести к серьезной травме.

- b) **Используйте защитное снаряжение. Всегда надевайте средство защиты глаз.**

Защитное снаряжение, например, противопылевой респиратор, защитная обувь с нескользкой подошвой, защитный шлем-каска или средства защиты органов слуха, используемые для соответствующих условий, уменьшат травмы.

- c) **Избегайте непреднамеренного включения двигателя. Убедитесь в том, что выключатель находится в положении выключения перед подсоединением к сетевой розетке.**

Переноска электроинструментов, когда Вы держите палец на выключателе, или подсоединение электроинструментов к сетевой розетке, когда выключатель будет находиться в положении включения, приводит к несчастным случаям.

- d) **Снимите все регулировочные или гаечные ключи перед включением электроинструмента.**

Гаечный или регулировочный ключ, оставленный прикрепленным к вращающейся детали электроинструмента может привести к получению личной травмы.

- e) **Не теряйте устойчивость. Все время имейте надежную точку опоры и сохраняйте равновесие.**

Это поможет лучше управлять электроинструментом в непредвиденных ситуациях.

- f) **Одевайтесь надлежащим образом. Не надевайте просторную одежду или ювелирные изделия. Держите волосы, одежду и перчатки как можно дальше от движущихся частей.**

Просторная одежда, ювелирные изделия или длинные волосы могут попасть в движущиеся части.

- g) **Если предусмотрены устройства для присоединения приспособлений для отвода и сбора пыли, убедитесь в том, что они присоединены и используются надлежащим образом.**

Использование данных устройств может уменьшить опасности, связанные с пылью.

- 4) Эксплуатация и обслуживание электроинструментов
- а) Не перегружайте электроинструмент. Используйте надлежащий для Вашего применения электроинструмент.
Надлежащий электроинструмент будет выполнять работу лучше и надежнее в том режиме работы, на который он рассчитан.
- б) Не используйте электроинструмент с неисправным выключателем, если с его помощью нельзя будет включить и выключить электроинструмент.
Каждый электроинструмент, которым нельзя управлять с помощью выключателя, будет представлять опасность и его будет необходимо отремонтировать.
- в) Отсоедините штепсельную вилку от источника питания перед началом выполнения какой-либо из регулировок, перед сменой принадлежности или хранением электроинструментов.
Такие профилактические меры безопасности уменьшат опасность непреднамеренного включения двигателя электроинструмента.
- г) Храните неиспользуемые электроинструменты в недоступном для детей месте, и не разрешайте людям, не знающим как обращаться с электроинструментом или не изучившим данное руководство, работать с электроинструментом.
Электроинструменты представляют опасность в руках неподготовленных пользователей.
- д) Содержите электроинструменты в исправности. Проверьте, нет ли несоосности или заедания движущихся частей, повреждения деталей или какого-либо другого обстоятельства, которое может повлиять на функционирование электроинструментов.
При наличии повреждения, отремонтируйте электроинструмент перед его эксплуатацией. Большое количество несчастных случаев связано с плохим обслуживанием электроинструментов.
- е) Содержите режущие инструменты остро заточенными и чистыми.
Содержащиеся в исправности надлежащим образом режущие инструменты с острыми режущими кромками будут меньше заедать, и будут легче в управлении.
- г) Используйте электроинструмент, принадлежности, насадки и т.п., в соответствии с данным руководством и определенным типом электроинструмента для выполнения работы по его прямому назначению, принимая во внимание условия и объем выполняемой работы.
Использование электроинструмента для выполнения работ не по прямому назначению может привести к опасной ситуации.
- 5) Обслуживание
- а) Обслуживание Вашего электроинструмента должно выполняться квалифицированным представителем ремонтной службы с использованием только идентичных запасных частей.
Это обеспечит сохранность и безопасность электроинструмента.

МЕРА ПРЕДОСТОРОЖНОСТИ

Держите подальше от детей и слабых людей. Если инструменты не используются, их следует хранить в недоступном для детей и слабых людей месте.

МЕРЫ ПРЕДОСТОРОЖНОСТИ ПРИ ЭКСПЛУАТАЦИИ ЭЛЕКТРОДРЕЛИ

- Одевайте наушники во время работы с ударной дрелью.
Воздействие шума может привести к потере слуха.
- Используйте ручки, прилагаемые к инструменту.
Потеря контроля над инструментом может привести к травме.
- Надежно удерживайте электродрель во время работы.
- Не надевайте перчатки, сделанные из скатывающегося материала, например, хлопка, шерсти, байки или нитяные перчатки и т.п.
- Перед сверлением отверстий в стенах, потолках или полах, обязательно убедитесь в отсутствии проложенных внутри электрических кабелей или кабельных каналов.

ТЕХНИЧЕСКИЕ ХАРАКТЕРИСТИКИ

Напряжение (по регионам)*		(110 В, 220 В, 230 В, 240 В) √	
Потребляемая мощность		460Вт*	
Число оборотов холостого хода		0–2300 мин ⁻¹	
Производительность зажимного патрона сверла		10 мм	
Диаметр бурения	Сталь	Спиральное сверло	10 мм
	Дерево	Перовое заостренное сверло	25 мм
		Червячное сверло	16 мм
Вес (без шнура)		1,3 кг	

* Проверьте паспортную табличку на изделии, так как она меняется в зависимости от региона

СТАНДАРТНЫЕ АКССУАРЫ

- Патронный гаечный ключ (только для зажимного патрона с переключателем) ... 1
- Набор стандартных аксессуаров может быть без предупреждения изменён.

ДОПОЛНИТЕЛЬНЫЕ АКССУАРЫ (продаются отдельно)

- (1) Боковая рукоятка
 - (2) Крючок
 - (3) Крючок (А)
- Набор дополнительных аксессуаров может быть без предупреждения изменён.

ОБЛАСТЬ ПРИМЕНЕНИЯ

- Сверление отверстий в металле, дереве и пластмассе.

ПОДГОТОВКА К ЭКСПЛУАТАЦИИ

1. Источник электропитания

Проследите за тем, чтобы используемый источник электропитания соответствовал требованиям к источнику электропитания, указанным на типовой табличке изделия.

2. Переключатель "Вкл./Выкл."

Убедитесь в том, что переключатель находится в положении "Выкл.". Если вы вставляете штепсель в розетку, а переключатель находится в положении "Вкл.", инструмент немедленно заработает, что может стать причиной серьёзной травмы.

3. Удлинитель

Когда рабочая площадка удалена от источника электропитания, пользуйтесь удлинителем. Удлинитель должен иметь требуемую площадь поперечного сечения и обеспечивать работу инструмента заданной мощности. Разматывайте удлинитель только на реально необходимую для данного конкретного применения длину.

4. Выбор подходящего сверла:

- При сверлении металла или пластмассы Используйте обычные сверла для сверления металлоконструкций.
- При сверлении дерева Используйте обычные сверла для сверления деревянных конструкций. Однако при сверлении отверстий 6,5 мм или менее, используйте сверло для сверления металлоконструкций.

5. Установка и снятие сверла

Для зажимного патрона с переключателем (Рис. 1)

- (1) Откройте кулачки зажимного патрона и вставьте сверло в зажимной патрон.
- (2) Вставьте патронный гаечный ключ в каждое из трех отверстий зажимного патрона и поверните в направлении по часовой стрелке (если смотреть спереди). Надежно затяните.
- (3) Для снятия сверла, вставьте патронный гаечный ключ в одно из отверстий зажимного патрона и поверните в направлении против часовой стрелки.

Для зажимного патрона без переключателя (Рис. 2)

- (1) Откройте кулачки зажимного патрона и вставьте сверло в зажимной патрон. Для того чтобы открыть кулачки зажимного патрона, удерживайте кольцо в то время, когда поворачиваете обод в направлении против часовой стрелки (если смотреть спереди).

- (2) Крепко держите кольцо и поверните обод в направлении по часовой стрелке. Надежно затяните.
- (3) Для снятия сверла, крепко держите кольцо и поверните обод в направлении против часовой стрелки.
- (4) Если возникнет затруднение при ослаблении обода, зафиксируйте шпиндель при помощи гаечного ключа с открытым зевом, крепко возьмитесь за обод и поверните его в направлении ослабления (против часовой стрелки, если смотреть спереди). (Рис. 3)

6. Проверка направления вращения (Рис. 4)

Сверло вращается по часовой стрелке (если смотреть сзади) при нажатии на нажимную кнопку со стороны Р.

Для того чтобы сверло вращалось против часовой стрелки, необходимо нажать на нажимную кнопку со стороны L.

(На корпусе электродрели предусмотрены метки (L) и (R).)

7. Установка боковой рукоятки (Дополнительная принадлежность)

А Боковую рукоятку можно установить на любую из двух сторон электродрели для правостороннего или левостороннего использования.

Для того чтобы установить боковую рукоятку, ввинтите ее в гнездо

на нужной стороне крышки привода электродрели, и надежно затяните. (Рис. 6)

8. Прикрепление крючка. (Дополнительная принадлежность)

Относительно крючка (прикрепление сбоку) (Рис. 7)

Плотно закрепите крючок на нужной стороне крышки привода электродрели при помощи болта М10, который поставляется вместе с крючком.

Относительно крючка (А) (крепление сверху) (Рис. 8)

Для того чтобы прикрепить крючок (А) необходимо снять участок рукоятки, который закрывает электрическую систему инструмента. С целью обеспечения Вашей безопасности и защиты от поражения электрическим током, установку крючка (А) на данную электродрель должны выполнять ТОЛЬКО специалисты УПОЛНОМОЧЕННОГО СЕРВИСНОГО ЦЕНТРА ФИРМЫ HILTI.

ОСТОРОЖНО!

При использовании электроинструмента с прикрепленным к нему крючком, обратите внимание на следующие пункты:

- Перед тем как повесить главный аппарат на поясной ремень, обязательно убедитесь в том, что электродрель полностью остановлена. В то время, когда электродрель свисает с поясного ремня, вилка должна быть отсоединена от источника питания.
- Не прохаживайтесь с электроинструментом, свисающим с поясного ремня.
- В случае работы на возвышении возникнет опасность непреднамеренно уронить инструмент. Если крючок поврежден или электродрель свисает в неправильном положении, возникнет опасность соскальзывания крючка и падения инструмента. Будьте осторожны для того, чтобы избежать опасности.
- При сверлении сквозного отверстия электроинструмент иногда может очень сильно встряхнуть, например, когда обрабатываемая конструкция будет просверлена насквозь. Будьте осторожны, не пострадаете от крючка, если случится такая ситуация.

ИСПОЛЬЗОВАНИЕ

1. Операция включения

- Инструмент останавливается при нажатом пускателе. Инструмент останавливается при отпущенном пускателе.
- Скорость вращения электродрели можно регулировать изменением усилия, приложенного к пускателю переключателя. Если пускатель тянуть с легким усилием, скорость будет низкой, а с увеличением усилия, приложенного для натяжения пускателя, скорость будет увеличиваться.
- Нужная скорость вращения может быть установлена предварительно при помощи диска регулировки скорости. Поворачивайте диск регулировки скорости по часовой стрелке для установки более высокой скорости и против часовой стрелки для установки более низкой скорости. (Рис. 5)
- Натяжением пускателя и нажатием на ограничитель можно поддерживать электродрель во включенном состоянии, что очень удобно при длительной работе. При выключении ограничитель может быть отключен при натяжении пускателя еще раз.

2. Сверление

- При сверлении, запускайте электродрель медленно и увеличивайте скорость постепенно по мере сверления.
- Всегда нажимайте на электродрель прямо по линии сверла. Прилагайте достаточное усилие при нажатии на электродрель для продолжения сверления, но не нажимайте на нее сильными толчками, чтобы не заглох электродвигатель или не сломалось сверло.
- Для того, чтобы уменьшить до минимума возможность потери скорости или пролом сквозь материал, уменьшите усилие нажатия на электродрель и давление на сверло при сверлении последнего участка отверстия.
- Если электродрель заглохнет, немедленно отпустите пускатель, выньте сверло из сделанного отверстия и начните еще раз. Не щелкайте пускателем, переключая из положения включения в положение выключения при попытке запустить заглохший двигатель электродрели. Это может привести к повреждению электродрели.
- Чем больше диаметр сверла, тем сильнее отдача, действующая на Ваши руки. Будьте осторожны, не потеряйте способность управлять электродрелью вследствие действия отдачи. Для поддержания способности надежно управлять электродрелью, примите устойчивое положение, используйте боковую рукоятку, крепко держите электродрель обеими руками и обеспечьте вертикальное положение электродрели по отношению к материалу, который Вы сверлите.

ТЕХНИЧЕСКОЕ ОБСЛУЖИВАНИЕ И ПРОВЕРКА

1. Осмотр сверла электродрели

Так как использование изношенных сверл приводит к неисправности двигателя и к снижению эффективности, заменяйте сверла новыми сверлами или затачивайте сверла сразу же, как только заметите признаки износа.

2. Проверка установленных винтов

Регулярно проверяйте все установленные на инструменте винты, следите за тем, чтобы они были как следует затянуты. Немедленно затяните винт, который окажется ослабленным. Невыполнение этого правила грозит серьезной опасностью.

3. Техническое обслуживание двигателя

Обмотка двигателя - "сердце" электроинструмента. Проявляйте должное внимание, следя за тем, чтобы обмотка не была повреждена и/или залита маслом или водой.

4. Осмотр угловых щеток

Чтобы обеспечить Вашу безопасность и защитить от поражения электрическим током, осмотр и замену угловых щеток этого инструмента следует проводить ТОЛЬКО в авторизованном сервисном центре Hitachi.

5. Порядок записей по техобслуживанию

- A: Пункт №
- B: Код №
- C: Количество применений
- D: Замечания

ПРЕДОСТЕРЕЖЕНИЕ

Ремонт, модификацию и осмотр механизированного инструмента фирмы Hitachi следует проводить в авторизованном сервисном центре Hitachi.

Этот перечень запасных частей пригодится при предоставлении его вместе с инструментом в авторизованный сервисный центр Hitachi с запросом на ремонт или прочее обслуживание. При работе и обслуживании механизированных инструментов нужно соблюдать правила и стандарты безопасности, действующие в каждой данной стране.

ЗАМЕЧАНИЕ

Фирма HITACHI непрерывно работает над усовершенствованием своих изделий, поэтому мы сохраняем за собой право на внесение изменений в технические характеристики, упомянутые в данной инструкции по эксплуатации, без предупреждения об этом.

ПРИМЕЧАНИЕ

На основании постоянных программ исследования и развития, HITACHI оставляют за собой право на изменение указанных здесь технических данных без предварительного уведомления.

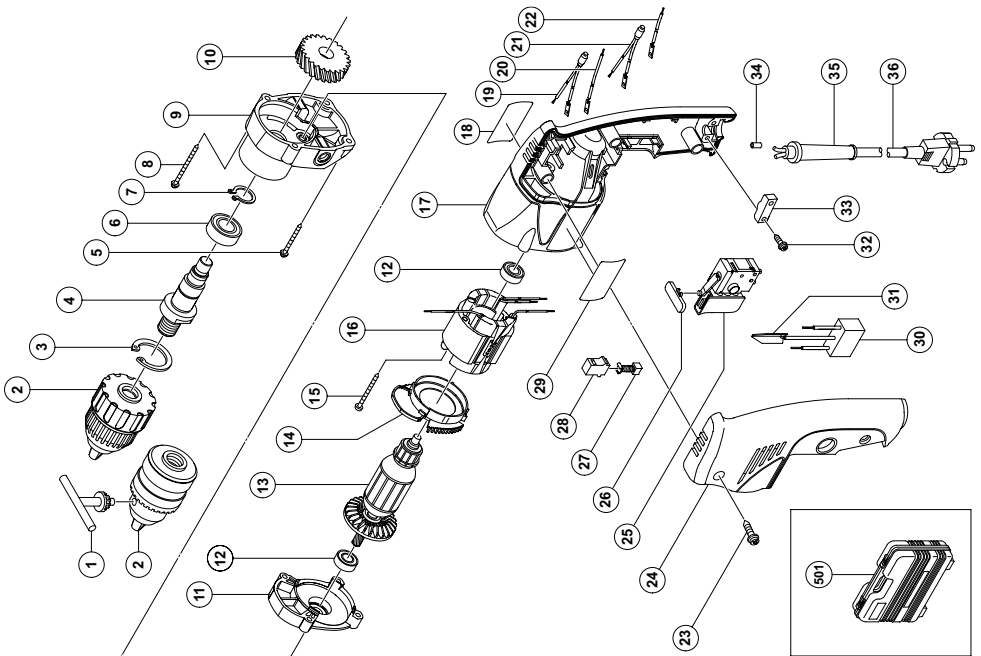
Информация, касающаяся создаваемого шума и вибрации

Измеряемые величины были определены в соответствии с EN60745 и заявлены в соответствии с ISO 4871.

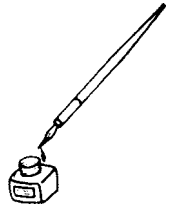
Измеренный средневзвешенный уровень звукового давления: 75 дБ (A)
Погрешность Кра: 3 дБ (A)

Надевайте наушники.

Типичное значение вибрации: 2,5 м/с²



A	B	C	D	A	B	C	D
1	980-057	1	10TL2	31	992-635	1	
2.1	950-292	1	10TLRA "1"	32	984-750	2	D4x16
2.2	312-516	1	10TLRD-N	33	937-631	1	
3	948-001	1		34	981-373	2	
4	321-626	1		35	953-327	1	D8.8
5	305-490	2	D4x30	36	-----	1	
6	600-2VV	1	6002VVCMP2S2L	501	321-635	1	
7	939-544	1					
8	301-815	2	D4x45				
9	321-625	1					
10	321-627	1					
11	321-624	1					
12	608-VVM	2	608VVC2PS2L				
13.1	360-596G	1	220V				
13.2	360-596E	1	230V-240V				
14	321-623	1					
15	950-514	2	D4x40				
16.1	340-547G	1	220V				
16.2	340-547E	1	230V				
16.3	340-547F	1	240V				
17	321-622	1					
18	-----	1					
19	321-633	1	110V-240V				
20	321-630	1					
21	321-634	1	110V-240V				
22	321-631	1					
23	301-653	3	D4x20				
24	321-629	1					
25	321-632	1					
26	321-628	1					
27	999-041	2					
28	955-203	2					
29	-----	1					
30	994-273	1					



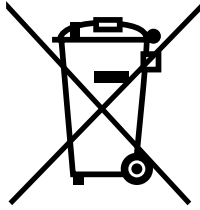
<p>English</p> <p><u>GUARANTEE CERTIFICATE</u></p> <ol style="list-style-type: none"> ① Model No. ② Serial No. ③ Date of Purchase ④ Customer Name and Address ⑤ Dealer Name and Address (Please stamp dealer name and address) 	<p>Magyar</p> <p><u>GARANCIA BIZONYLAT</u></p> <ol style="list-style-type: none"> ① Típuszám ② Sorozatszám ③ A vásárlás dátuma ④ A Vásárló neve és címe ⑤ A Kereskedő neve és címe (Kérjük ide elhelyezni a Kereskedő nevének és címének pecsétjét)
<p>Deutsch</p> <p><u>GARANTIESCHEIN</u></p> <ol style="list-style-type: none"> ① Modell-Nr. ② Serien-Nr. ③ Kaufdatum ④ Name und Anschrift des Kunden ⑤ Name und Anschrift des Händlers (Bitte mit Namen und Anschrift des Handlers abstempeln) 	<p>Čeština</p> <p><u>ZÁRUČNÍ LIST</u></p> <ol style="list-style-type: none"> ① Model č. ② Série č. ③ Datum nákupu ④ Jméno a adresa zákazníka ⑤ Jméno a adresa prodejce (Prosíme o razítko se jménem a adresou prodejce)
<p>Ελληνικά</p> <p><u>ΠΙΣΤΟΠΟΙΗΤΙΚΟ ΕΓΓΥΗΣΗΣ</u></p> <ol style="list-style-type: none"> ① Αρ. Μοντέλου ② Αύξων Αρ. ③ Ημερομηνία αγοράς ④ Όνομα και διεύθυνση πελάτη ⑤ Όνομα και διεύθυνση μεταπωλητή (Παρακαλούμε να χρησιμοποιηθεί σφραγίδα) 	<p>Türkçe</p> <p><u>GARANTİ SERTİFİKASI</u></p> <ol style="list-style-type: none"> ① Model No. ② Seri No. ③ Satın Alma Tarihi ④ Müşteri Adı ve Adresi ⑤ Bayi Adı ve Adresi (Lütfen bayi adını ve adresini kaşe olarak basın)
<p>Polski</p> <p><u>GWARANCJA</u></p> <ol style="list-style-type: none"> ① Model ② Numer seryjny ③ Data zakupu ④ Nazwa klienta i adres ⑤ Nazwa dealera i adres (Pieczęć punktu sprzedaży) 	<p>Русский</p> <p><u>ГАРАНТИЙНЫЙ СЕРТИФИКАТ</u></p> <ol style="list-style-type: none"> ① Модель № ② Серийный № ③ Дата покупки ④ Название и адрес заказчика ⑤ Название и адрес дилера (Пожалуйста, внесите название и адрес дилера)

HITACHI

①	
②	
③	
④	
⑤	

Hitachi Koki





English

Only for EU countries

Do not dispose of electric tools together with household waste material!

In observance of European Directive 2002/96/EC on waste electrical and electronic equipment and its implementation in accordance with national law, electric tools that have reached the end of their life must be collected separately and returned to an environmentally compatible recycling facility.

Deutsch

Nur für EU-Länder

Werfen Sie Elektrowerkzeuge nicht in den Hausmüll!

Gemäss Europäischer Richtlinie 2002/96/EG über Elektro- und Elektronik- Altgeräte und Umsetzung in nationales Recht müssen verbrauchte Elektrowerkzeuge getrennt gesammelt und einer umweltgerechten Wiederverwertung zugeführt werden.

Ελληνικά

Μόνο για τις χώρες της ΕΕ

Μην πετάτε τα ηλεκτρικά εργαλεία στον κάδο οικιακών απορριμμάτων!

Σύμφωνα με την ευρωπαϊκή οδηγία 2002/96/EK περί ηλεκτρικών και ηλεκτρονικών συσκευών και την ενσωμάτωσή της στο εθνικό δίκαιο, τα ηλεκτρικά εργαλεία πρέπει να συλλέγονται ξεχωριστά και να επιστρέφονται για ανακύκλωση με τρόπο φιλικό προς το περιβάλλον.

Polski

Dotyczy tylko państw UE

Nie wyrzucaj elektronarzędzi wraz z odpadami z gospodarstwa domowego!

Zgodnie z Europejską Dyrektywą 2002/96/WE w sprawie zużytego sprzętu elektrotechnicznego i elektronicznego oraz dostosowaniem jej do prawa krajowego, zużyte elektronarzędzia należy posegregować i zutylizować w sposób przyjazny dla środowiska.

Magyar

Csak EU-országok számára

Az elektromos kéziszerszámokat ne dobja a háztartási szemétkébe!

A használt villamos és elektronikai készülékekről szóló 2002/96/EK irányelv és annak a nemzeti jogba való átültetése szerint az elhasznált elektromos kéziszerszámokat külön kell gyűjteni, és környezetbarát módon újra kell hasznosítani.

Čeština

Jen pro státy EU

Elektrické nářadí nevyhazujte do komunálního odpadu!

Podle evropské směrnice 2002/96/EG o nakládání s použitými elektrickými a elektronickými zařízeními a odpovídajících ustanovení právních předpisů jednotlivých zemí se použitá elektrická nářadí musí sbírat odděleně od ostatního odpadu a podrobit ekologicky šetrnému recyklování.

Türkçe

Sadece AB ülkeleri için

Elektrikli el aletlerini evdeki çöp kutusuna atmayınız! Kullanılmış elektrikli aletleri, elektrik ve elektronikleri eski cihazlar hakkındaki 2002/96/EC Avrupa yönergelerine göre ve bu yönergeler ulusal hukuk kurallarına göre uygulanarak, ayrı olarak toplanmalı ve çevre şartlarına uygun bir şekilde tekrar değerlendirilmeye gönderilmelidir.

Русский

Только для стран ЕС

Не выкидывайте электроприборы вместе с обычным мусором!

В соответствии с европейской директивой 2002/96/EG об утилизации старых электрических и электронных приборов и в соответствии с местными законами электроприборы, бывшие в эксплуатации, должны утилизироваться отдельно безопасным для окружающей среды способом.

<p>English</p> <p>EC DECLARATION OF CONFORMITY</p> <p>We declare under our sole responsibility that this product is in conformity with standards or standardized documents EN60745, EN55014 and EN61000-3 in accordance with Council Directives 73/23/EEC, 89/336/EEC and 98/37/EC.</p> <p>This declaration is applicable to the product affixed CE marking.</p>	<p>Magyar</p> <p>EU MEGFELELŐSÉGI NYILATKOZAT</p> <p>Teljes felelősségünk tudatában kijelentjük, hogy ez a termék megfelel az EN60745, EN55014, és EN 61000-3 szabványoknak illetve szabványosított dokumentumoknak, az Európa Tanács 73/23/EEC, 89/336/EEC, és 98/37/EC Tanácsi Direktíváival összhangban.</p> <p>Jelen nyilatkozat a terméken feltüntetett CE jelzésre vonatkozik.</p>
<p>Deutsch</p> <p>ERKLÄRUNG ZUR KONFORMITÄT MIT CE-REGELN</p> <p>Wir erklären mit alleiniger Verantwortung, daß dieses Produkt den Standards oder standardisierten Dokumenten EN60745, EN55014 und EN61000-3 in Übereinstimmung mit den Direktiven des Europarats 73/23/EWG, 89/336/EWG und 98/37/CE entspricht.</p> <p>Diese Erklärung gilt für Produkte, die die CE-Markierung tragen.</p>	<p>Čeština</p> <p>PROHLÁŠENÍ O SHODĚ S CE</p> <p>Prohlašujeme na svoji zodpovědnost, že tento výrobek odpovídá normám EN60745, EN55014 a EN61000-3 v souladu se směrnicemi 73/23/EEC, 89/336/EEC a 98/37/EC.</p> <p>Toto prohlášení platí pro výrobek označený značkou CE.</p>
<p>Ελληνικά</p> <p>EK ΔΗΛ-ΣΗ ΕΝΑΡΜΟΝΙΣΜΟΥ</p> <p>Δηλώνουμε με απόλυτη υπευθυνότητα ότι αυτό το προϊόν είναι εναρμονισμένο με τα πρότυπα ή τα έγγραφα προτύπων EN60745, EN55014 και EN61000-3 σε συμφωνία με τις Οδηγίες του Συμβουλίου 73/23/ΕΟΚ, 89/336/ΕΟΚ και 98/37/ΕΚ.</p> <p>Αυτή η δήλωση ισχύει στο προϊόν με το σημάδι CE.</p>	<p>Türkçe</p> <p>AB UYGUNLUK BEYANI</p> <p>Bu ürünün, 73/23/EEC, 89/336/EEC ve 98/37/EC sayılı Konsey Direktiflerine uygun olarak, EN60745, EN55014 ve EN61000-3 sayılı standartlara ve standartlaştırılmış belgelere uygun olduğunu, tamamen kendi sorumluluğumuz altında beyan ederiz.</p> <p>Bu beyan, üzerinde CE işareti bulunan ürünler için geçerlidir.</p>
<p>Polski</p> <p>DEKLARACJA ZGODNOŚCI Z EC</p> <p>Oznajmiamy z całkowitą odpowiedzialnością, że produkt ten pozostaje w zgodzie ze standardami lub standardową formą dokumentów EN60745, EN55014 i EN61000-3 w zgodzie z Zasadami Rady 73/23/EEC 89/336/ EEC i 98/37/EC.</p> <p>To oświadczenie odnosi się do załączonego produktu z oznaczeniami CE.</p>	<p>Русский</p> <p>ДЕКЛАРАЦИЯ СООТВЕТСТВИЯ ЕС</p> <p>Мы с полной ответственностью заявляем, что данное изделие соответствует стандартам или стандартизованным документам EN60745, EN55014 и EN61000-3 согласно Директивам Совета 73/23/EEC, 89/336/EEC и 98/37/EC.</p> <p>Данная декларация относится к изделиям, на которых имеется маркировка CE.</p>
<p>Representative office in Europe Hitachi Power Tools Europe GmbH Siemensring 34, 47877 Willich 1, F. R. Germany</p> <p>Head office in Japan Hitachi Koki Co., Ltd. Shinagawa Intercity Tower A, 15-1, Konan 2-chome, Minato-ku, Tokyo, Japan</p> <p style="text-align: center;">CE</p> <p style="text-align: right;">30. 12. 2005</p> <p style="text-align: right;"><i>K. Kato</i></p> <hr style="width: 20%; margin-left: auto; margin-right: 0;"/> <p style="text-align: right;">K. Kato Board Director</p>	

 **Hitachi Koki Co., Ltd.**

McGrp.Ru



Сайт техники и электроники

Наш сайт McGrp.Ru при этом не является просто хранилищем [инструкций по эксплуатации](#), это живое сообщество людей. Они общаются на форуме, задают вопросы о способах и особенностях использования техники. На все вопросы очень быстро находят ответы от таких же посетителей сайта, экспертов или администраторов. Вопрос можно задать как на форуме, так и в специальной форме на странице, где описывается интересующая вас техника.