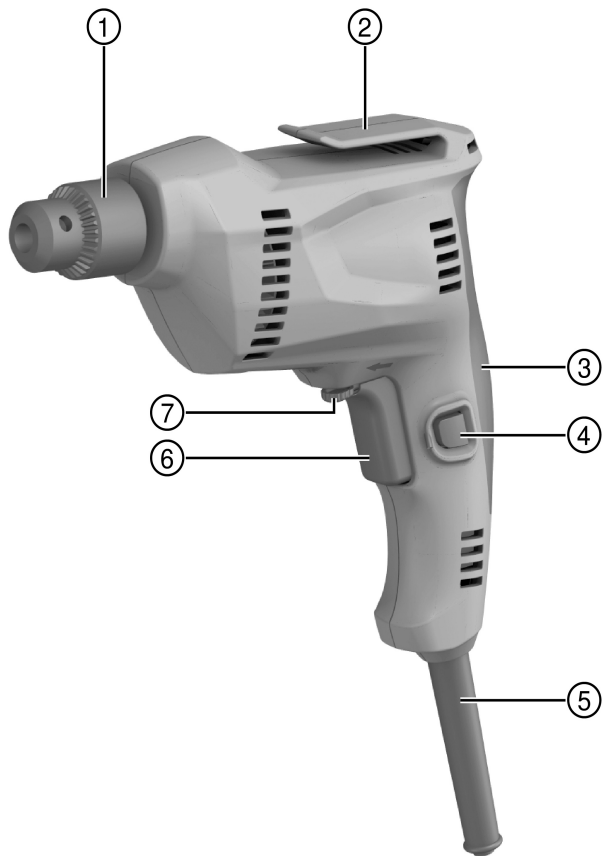
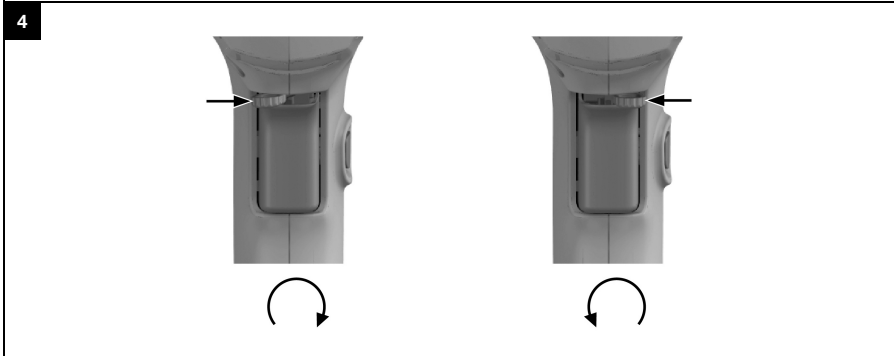
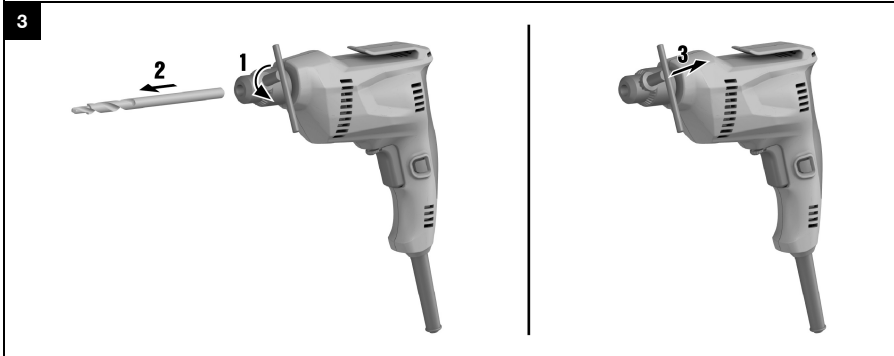
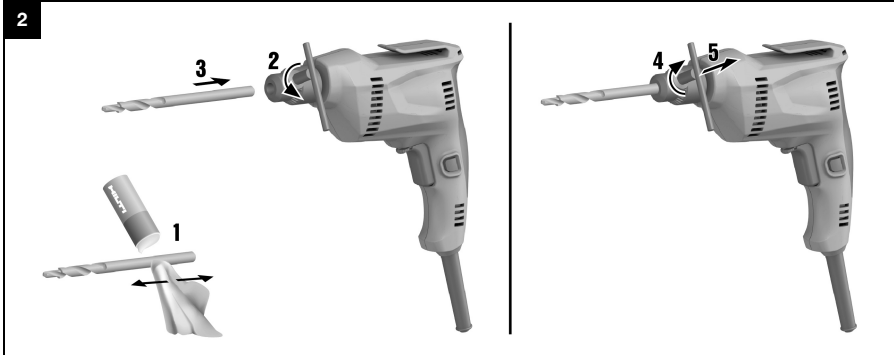




UD 4

English	1
Русский	14
Українська	28
Қазақ	42
繁體中文	56
中文	68





UD 4

en	Original operating instructions	1
ru	Оригинальное руководство по эксплуатации	14
uk	Оригінальна інструкція з експлуатації	28
kk	Түпнұсқа пайдалану бойынша нұсқаулық	42
zh	原始操作說明	56
cn	原版操作说明	68

1 Information about the documentation




1.1 About this documentation

- Read this documentation before initial operation or use. This is a prerequisite for safe, trouble-free handling and use of the product.
- Observe the safety instructions and warnings in this documentation and on the product.
- Always keep the operating instructions with the product and make sure that the operating instructions are with the product when it is given to other persons.

1.2 Explanation of symbols





1.2.1 Warnings

Warnings alert you to hazards that can occur when you are handling or using the product. The following signal words are used in combination with a symbol:

	DANGER! Draws attention to imminent danger leading to serious injury or fatality.
	WARNING! Draws attention to a potential threat of danger that can lead to serious injury or fatality.
	CAUTION! Draws attention to a potentially dangerous situation that can lead to minor injury or damage to the equipment or other property


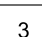



1.2.2 Symbols in the documentation

The following symbols are used in this document:

	Read the operating instructions before use
	Instructions for use and other useful information
	Dealing with recyclable materials
	Do not dispose of electric equipment as household waste

1.2.3 Symbols in the illustrations

The following symbols are used in illustrations:

	These numbers refer to the corresponding illustrations found at the beginning of these operating instructions
	The numbering reflects the sequence of operations shown in the illustrations and may deviate from the steps described in the text
	Item reference numbers are used in the overview illustrations and refer to the numbers used in the product overview section
	This symbol is intended to draw special attention to certain points when handling the product.
	Wireless data transfer

1.3 Symbols on the product

1.3.1 Symbols on the product

The following symbols are used on the product:

	Protection class II (double-insulated)
---	--

1.4 Product information

Hilti products are designed for professional use and may be operated, serviced and maintained only by trained, authorized personnel. This personnel must be informed of any particular hazards that may be

encountered. The product and its ancillary equipment can present hazards if used incorrectly by untrained personnel or if used not in accordance with the intended use.

The type designation and serial number are stated on the rating plate.

- ▶ Write down the serial number in the table below. You will be required to state the product details when contacting Hilti Service or your local Hilti organization to inquire about the product.

Product information

Drill	UD 4
Generation:	01
Serial no.:	

1.5 Declaration of conformity

We declare, on our sole responsibility, that the product described here complies with the applicable directives and standards. A copy of the declaration of conformity can be found at the end of this documentation.

The technical documentation is filed and stored here:

Hilti Entwicklungsgesellschaft mbH | Tool Certification | Hiltistrasse 6 | 86916 Kaufering, Germany

2 Safety

2.1 General power tool safety warnings

⚠ WARNING Read all safety warnings, instructions, illustrations and specifications provided with this power tool. Failure to follow the instructions below may result in electric shock, fire and/or serious injury.

Save all warnings and instructions for future reference.

The term "power tool" in the warnings refers to your mains-operated (corded) power tool or battery-operated (cordless) power tool.

Work area safety

- ▶ **Keep your work area clean and well lit.** Cluttered or dark work areas invite accidents.
- ▶ **Do not operate the power tool in explosive atmospheres, such as in the presence of flammable liquids, gases or dust.** Power tools create sparks which may ignite the dust or fumes.
- ▶ **Keep children and bystanders away while operating a power tool.** Distractions can cause you to lose control.

Electrical safety

- ▶ **Power tool plugs must match the outlet. Never modify the plug in any way. Do not use any adapter plugs with earthed (grounded) power tools.** Unmodified plugs and matching power outlets reduce the risk of electric shock.
- ▶ **Avoid body contact with earthed or grounded surfaces, such as pipes, radiators, ranges and refrigerators.** There is an increased risk of electric shock if your body is earthed or grounded.
- ▶ **Do not expose power tools to rain or wet conditions.** Water entering a power tool will increase the risk of electric shock.
- ▶ **Do not abuse the cord. Never use the cord for carrying, pulling or unplugging the power tool. Keep cord away from heat, oil, sharp edges or moving parts.** Damaged or entangled cords increase the risk of electric shock.
- ▶ **When operating a power tool outdoors, use an extension cord suitable for outdoor use.** Use of a cord suitable for outdoor use reduces the risk of electric shock.
- ▶ **If operating a power tool in a damp location is unavoidable, use a residual current device (RCD) protected supply.** Use of an RCD reduces the risk of electric shock.

Personal safety

- ▶ **Stay alert, watch what you are doing and use common sense when operating a power tool. Do not use a power tool while you are tired or under the influence of drugs, alcohol or medication.** A moment of inattention while operating the power tool may result in serious personal injury.
- ▶ **Use personal protective equipment. Always wear eye protection.** Protective equipment such as a dust mask, non-skid safety shoes, hard hat or hearing protection used for appropriate conditions will reduce personal injuries.
- ▶ **Prevent unintentional starting. Ensure the switch is in the off-position before connecting to power source and/or battery pack, picking up or carrying the tool.** Carrying power tools with your finger on the switch or energising power tools that have the switch on invites accidents.
- ▶ **Remove any adjusting key or wrench before turning the power tool on.** A wrench or a key left attached to a rotating part of the power tool may result in personal injury.

- ▶ **Do not overreach. Keep proper footing and balance at all times.** This enables better control of the power tool in unexpected situations.
- ▶ **Dress properly. Do not wear loose clothing or jewellery. Keep your hair and clothing away from moving parts.** Loose clothes, jewellery or long hair can be caught in moving parts.
- ▶ **If devices are provided for the connection of dust extraction and collection facilities, ensure these are connected and properly used.** Use of dust collection can reduce dust-related hazards.
- ▶ **Do not let familiarity gained from frequent use of tools allow you to become complacent and ignore tool safety principles.** A careless action can cause severe injury within a fraction of a second.

Power tool use and care

- ▶ **Do not force the power tool. Use the correct power tool for your application.** The correct power tool will do the job better and safer at the rate for which it was designed.
- ▶ **Do not use the power tool if the switch does not turn it on and off.** Any power tool that cannot be controlled with the switch is dangerous and must be repaired.
- ▶ **Disconnect the plug from the power source and/or remove the battery pack, if detachable, from the power tool before making any adjustments, changing accessories, or storing power tools.** Such preventive safety measures reduce the risk of starting the power tool accidentally.
- ▶ **Store idle power tools out of the reach of children and do not allow persons unfamiliar with the power tool or these instructions to operate the power tool.** Power tools are dangerous in the hands of untrained users.
- ▶ **Maintain power tools and accessories. Check for misalignment or binding of moving parts, breakage of parts and any other condition that may affect the power tool's operation. If damaged, have the power tool repaired before use.** Many accidents are caused by poorly maintained power tools.
- ▶ **Keep cutting tools sharp and clean.** Properly maintained cutting tools with sharp cutting edges are less likely to bind and are easier to control.
- ▶ **Use the power tool, accessories and tool bits etc. in accordance with these instructions, taking into account the working conditions and the work to be performed.** Use of the power tool for operations different from those intended could result in a hazardous situation.
- ▶ **Keep handles and grasping surfaces dry, clean and free from oil and grease.** Slippery handles and grasping surfaces do not allow for safe handling and control of the tool in unexpected situations.

Service

- ▶ **Have your power tool serviced by a qualified repair person using only identical replacement parts.** This will ensure that the safety of the power tool is maintained.

2.2 Safety instructions for power drills

Safety instructions for work of all kinds

- ▶ **Wear ear protection when hammer drilling.** Exposure to noise can cause hearing loss.
- ▶ **Always support the power tool firmly in preparation for use.** This power tool produces high torque. If the power tool is not securely supported at all times during operation loss of control can result and lead to injuries.
- ▶ **Hold the power tool by the insulated gripping surfaces only, when carrying out work in which the accessory tool or the screws can come into contact with concealed wiring or the tool's own supply cord.** If the accessory tool comes into contact with a live wire, metal parts of the power tool can also become live, resulting in an electric shock.

Safety instructions for using long drill bits

- ▶ **Do not under any circumstances attempt to work with the power tool operating at a speed higher than the maximum permissible speed for the drill bit.** A drill bit spinning at a speed higher than its maximum permissible speed when not in contact with the workpiece can develop a slight curvature and this can lead to injuries.
- ▶ **Always start drilling at a low speed and with the drill bit in contact with the workpiece.** A drill bit spinning at a speed higher than its maximum permissible speed when not in contact with the workpiece can develop a slight curvature and this can lead to injuries.
- ▶ **Do not apply too much pressure to the drill bit and apply pressure only along the drill bit's longitudinal axis.** Drill bits can bend and subsequently break or cause a loss of control and resultant injury.

2.3 Additional safety instructions for torquing threaded fasteners

Personal safety

- ▶ Use the product only when it is in perfect working order.

- ▶ Never tamper with or modify the tool in any way.
- ▶ Always hold the tool firmly with both hands on the grips provided. Keep the grips clean and dry.
- ▶ Do not touch rotating parts – risk of injury!
- ▶ Wear suitable protective glasses, a hard hat, ear protection, protective gloves and light respiratory protection while using the power tool.
- ▶ Wear protective gloves also when changing the tool. Touching the accessory tool can result in cuts and burns.
- ▶ Wear eye protection. Flying fragments can injure the body and eyes.
- ▶ Before starting work, check the hazard class of the dust that will be produced when working. Use an industrial vacuum cleaner with an officially approved protection class in compliance with the locally applicable dust protection regulations. Dust from materials such as lead-based paint, certain types of wood and concrete/masonry/stone containing quartz, minerals or metal can be harmful to health.
- ▶ Make sure that the workplace is well ventilated and, where necessary, wear a respirator appropriate for the type of dust generated. Contact with or inhalation of the dust may cause allergic reactions and/or respiratory or other diseases among operators or bystanders. Certain kinds of dust are classified as carcinogenic such as oak and beech dust, especially in conjunction with additives for wood conditioning (chromate, wood preservative). Only specialists are permitted to handle material containing asbestos.
- ▶ Take breaks and do physical exercises to improve the blood circulation in your fingers. Exposure to vibration during long periods of work can lead to disorders of the blood vessels and nervous system in the fingers, hands and wrists.

Electrical safety

- ▶ Before beginning work, check the working area for concealed electric cables or gas and water pipes. External metal parts of the power tool can become live, presenting a risk of electric shock, if you accidentally damage an electric cable.
- ▶ Check the condition of the supply cord and the plug. Have the power cord or the plug checked, and if necessary replaced, by a trained electrical specialist.

Power tool use and care

- ▶ Immediately switch off the power tool if the accessory tool jams. The power tool might twist off-line.
- ▶ Wait until the power tool stops completely before you lay it down.

3 Description

3.1 Product overview 1

- | | |
|--------------------------------------|--------------------------|
| ① Chuck | ⑤ Supply cord |
| ② Belt hook | ⑥ Control switch |
| ③ Grip | ⑦ Forward/reverse switch |
| ④ Lockbutton for sustained operation | |

3.2 Intended use

The product described is an electric drill. It is designed for drilling in steel, wood and plastic and for driving and removing screws.

3.3 Items supplied

Electric drill, operating instructions.

Other system products approved for use with this product can be found at your local **Hilti Store** or at: www.hilti.group | USA: www.hilti.com

4 Technical data

4.1 Drill



Note

For details of the rated voltage, frequency, current and input power, please refer to the power tool's country-specific type identification plate.

When powered by a generator or transformer, the generator or transformer's power output must be twice the rated power shown on the rating plate of the power tool. The operating voltage of the transformer or generator must always be within +5% and -15% of the rated voltage of the power tool.

	UD 4
Weight	1.4 kg
Protection class	II

4.1.1 Noise information and vibration values in accordance with EN 60745

The sound pressure and vibration values given in these instructions were measured in accordance with a standardized test and can be used to compare one power tool with another. They can also be used for a preliminary assessment of exposure. The data given represents the main applications of the power tool. However, if the power tool is used for different applications, with different accessory tools, or is poorly maintained, the data can vary. This can significantly increase exposure over the total working period. An accurate estimation of exposure should also take into account the times when the tool is switched off, or when it is running but not actually being used for a job. This can significantly reduce exposure over the total working period. Identify additional safety measures to protect the operator from the effects of noise and/or vibration, for example: Maintaining the power tool and accessory tools, keeping the hands warm, organization of work patterns.

Noise information

	UD 4
Sound (power) level	96.5 dB
Sound pressure level	85.5 dB
Uncertainty	3 dB

Information about vibration

	UD 4
Drilling (a_n)	3.5 m/s ²
Uncertainty (K)	1.5 m/s ²

4.1.2 Using extension cords



WARNING

A damaged supply cord presents a hazard! Do not touch the supply cord or extension cord if damaged while working. Disconnect the supply cord plug from the power outlet.

- ▶ Check the appliance's supply cord at regular intervals and have it replaced by a qualified specialist if found to be damaged.

- Use only extension cords of a type approved for the application and with conductors of adequate gauge (cross section). The power tool may otherwise suffer a drop in performance and the extension cord may overheat.
- Check the extension cord for damage at regular intervals.
- Replace damaged extension cords.
- When working outdoors, use only extension cords that are approved and correspondingly marked for this application.

Recommended minimum conductor cross-section and maximum power-cord length for 120V supply voltage

Cord	AWG 16	AWG 14	AWG 12	AWG 10
Conductor cross-section	1,31 mm ²	2,08 mm ²	3,31 mm ²	5,26 mm ²
Conductor cross-section	2,58 kcmil	4,11 kcmil	6,53 kcmil	10,4 kcmil
Cord length	25 m	30 m	50 m	100 m
Cord length	75 ft	100 ft	150 ft	250 ft

5 Preparations at the workplace



CAUTION

Risk of injury! Inadvertent starting of the product.

- ▶ Unplug the supply cord before making adjustments to the power tool or before changing accessories.

Observe the safety instructions and warnings in this documentation and on the product.

5.1 Fitting an accessory tool 2



CAUTION

Risk of injury! Inadvertent starting of the product.

- ▶ Unplug the supply cord before making adjustments to the power tool or before changing accessories.

1. Use the chuck key to open the keyed chuck.
2. Check that the connection end of the accessory tool is clean and then insert it in the keyed chuck or, respectively, pull the accessory tool out of the keyed chuck.
3. Use the chuck key to close the keyed chuck.
4. Remove the key from the chuck and insert it in the chuck key holder.

5.2 Removing the accessory tool 3



CAUTION

Risk of injury! Inadvertent starting of the product.

- ▶ Unplug the supply cord before making adjustments to the power tool or before changing accessories.

1. Use the chuck key to open the chuck.
2. Remove the accessory tool.
3. Remove the chuck key and secure the chuck key to the key strap.

6 Types of work



WARNING

A damaged supply cord presents a hazard! Do not touch the supply cord or extension cord if damaged while working. Disconnect the supply cord plug from the power outlet.

- ▶ Check the appliance's supply cord at regular intervals and have it replaced by a qualified specialist if found to be damaged.

Check extension cords at regular intervals and replace them if found to be damaged.

6.1 Switching on

- ▶ Press the control switch.



Note

Speed is controlled steplessly up to maximum speed by varying how far the control switch is pressed in.

6.2 Switching off

- ▶ Release the control switch.

6.3 Activating / deactivating continuous operation



Note

When the tool is in operation, the control switch can be locked in the “on” position.

1. Press the control switch.
2. Press the lockbutton for continuous operation.
 - ◁ The product is now in continuous operation mode.
3. To switch off continuous operation, press the control switch.
4. Release the control switch.
 - ◁ The product switches off.

6.4 Direction of rotation

- ▶ Set the direction of rotation.
 - ◁ The selector switch engages in this position.

7 Repair



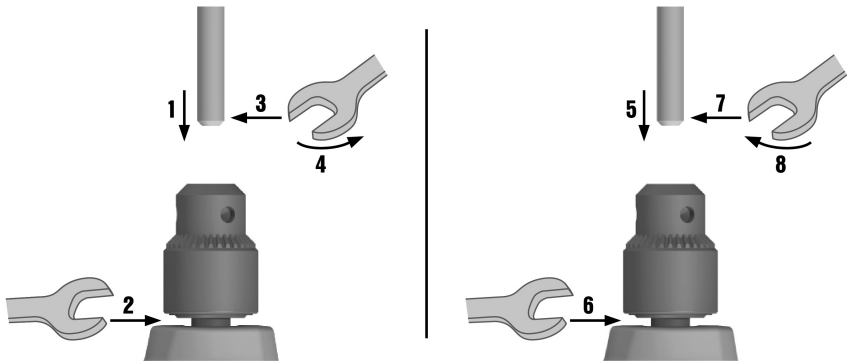
Note

Only trained and qualified specialists are permitted to carry out maintenance and repair work!

Shoddy repair work can lead to severe accidents or damage to the device. Cases of this nature void the manufacturer's warranty.

Parts can vary depending on the version.

7.1 Replacing the chuck



1. You require the following items:

Materials

Chuck
2179576

Open-ended wrench

Chuck key
2167774

2. Disconnect the electric drill from the electric supply.
3. Use the chuck key to open the chuck.
4. To release the screw in the chuck, insert a hexagon steel rod in the head of the screw in the chuck.
5. Use the chuck key to close the chuck.
6. Grip the drive spindle under the chuck with an open-end wrench and hold the wrench securely.

7. Grip the hexagon steel rod with a correctly-sized open-end wrench and turn the wrench in a counter-clockwise direction.
 - ◀ The chuck is released.
8. Use the chuck key to open the chuck.
9. Remove the hexagon rod from the chuck and insert it in the head of the screw in the new chuck.
10. Use the chuck key to close the chuck.
11. Grip the drive spindle under the chuck with an open-end wrench and hold the wrench securely.
12. Grip the hexagon steel rod with a correctly-sized open-end wrench and turn the wrench in a clockwise direction.

Technical data	
Torque (Spindle)	11 Nm ... 18 Nm (8 ftlb, ... 13 ftlb)

13. Use the chuck key to open the chuck.
14. Tighten the screw in the chuck.

Technical data	
Torque (Chuck screw)	8 Nm ... 13 Nm (6 ftlb, ... 10 ftlb)

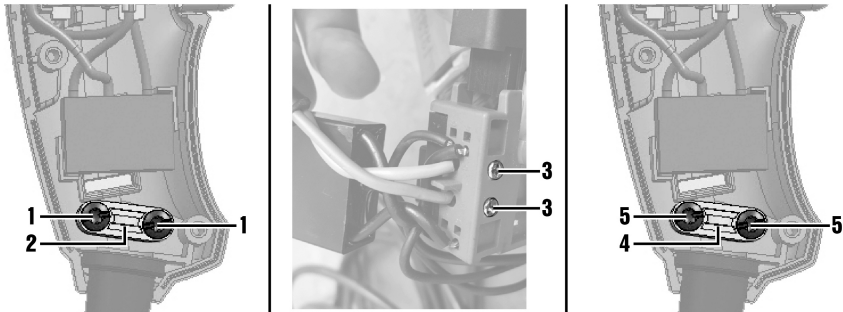
7.2 Replacing the supply cord



DANGER

Risk of injury! Risk of electric shock.

- ▶ The power tool may be operated, serviced and repaired only by trained, authorized personnel. This personnel must be specially informed of any possible hazards.



1. You will need the following items:

Materials
Supply cord 2167712 (110 V GB) 2167713 (230 V GB) 2167714 (230 V CH) 2167715 (120 V US) 2167717 (230 V CN) 2188143 (230 V EU)
Screwdriver (combi Torx)

2. Disconnect the electric drill from the electricity supply.
3. Unscrew the casing screws and remove the casing.
4. Unscrew the clamp screws and remove the clamp.

- Release the two screws on the switch unit, so that the two conductors can be pulled out of the switch unit.

**Note**

Depending on the version, the switch unit has a capacitor connected.

- Remove the supply cord.
- Push the new supply cord through the protective sleeve.
- Insert the ends of the flexible conductors in the switch unit and tighten both screws on the switch unit.
 - Both flexible conductors should be firmly secured in the switch unit.
- Place the supply cord in the clamp.
- Fit the upper part of the clamp over the supply cord and tighten the clamp screws.

Technical data

Torque (Clamp)

1.35 Nm ... 1.75 Nm
(1.00 ftlb_f ... 1.29 ftlb_f)

**Note**

Take care to ensure that the insulation on the supply cord still extends 5 mm beyond the clamp.

- Fit the protective sleeve into the retaining groove provided in the casing.
- Place the casing in position and insert and tighten the casing screws.

Technical data

Torque (Casing)

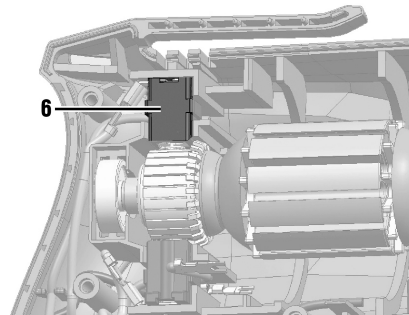
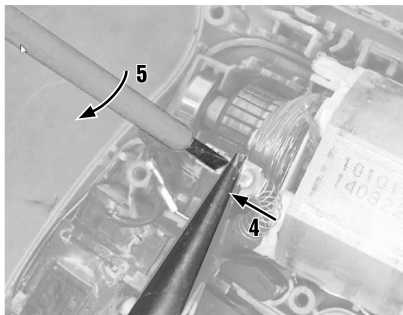
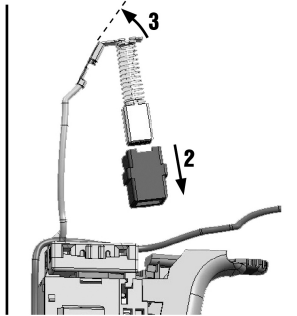
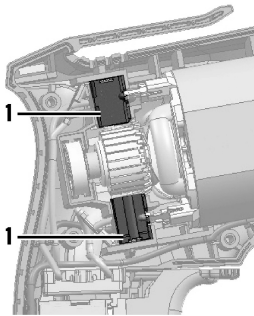
1.35 Nm ... 1.75 Nm
(1.00 ftlb_f ... 1.29 ftlb_f)

7.3 Replacing the carbon brushes

**DANGER**

Risk of injury! Risk of electric shock.

- The power tool may be operated, serviced and repaired only by trained, authorized personnel. This personnel must be specially informed of any possible hazards.



1. You will need the following items:

Materials

Carbon brushes

2167718

Long-nose pliers

Screwdriver (flat)

Screwdriver (combi Torx)

2. Disconnect the electric drill from the electricity supply.
3. Unscrew the casing screws and remove the casing.
4. Note how the wires and the carbon brushes are fitted.
5. Remove the top carbon brush from the cage.
6. Disconnect the top carbon brush from the socket.
7. Straighten the connector.
8. Grip the connector of the bottom carbon brush with long-nose pliers.
9. Insert the tip of a flat screwdriver between the long-nose pliers and the connector socket.
10. Ease the connector out of the connector socket by turning the flat screwdriver.
11. Remove the bottom carbon brush.
12. Straighten the connector.
13. Connect the top connector to the connector socket of the top carbon brush.
14. Push the top carbon brush into the socket.
15. Place the top carbon brush in the top cage.
16. Connect the bottom connector to the connector socket of the bottom carbon brush.

17. Place the bottom carbon brush in the bottom cage.



Note

Make sure that no wires are trapped. The carbon brushes and the wires have to be fitted exactly as they were before replacement.

18. Place the casing in position and insert and tighten the casing screws.

Technical data	
Torque (Casing)	1.35 Nm ... 1.75 Nm (1.00 ftlb, ... 1.29 ftlb)

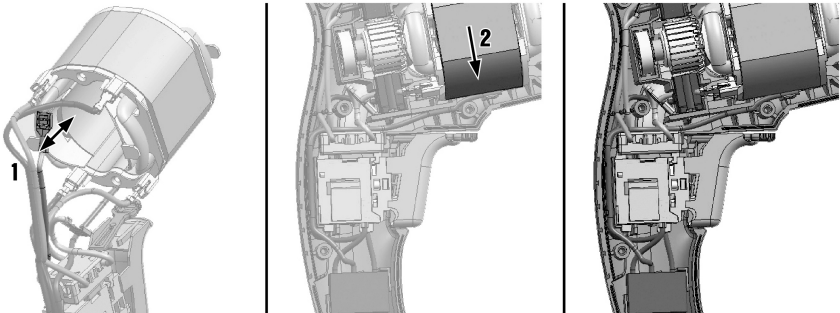
7.4 Replacing the control switch



DANGER

Risk of injury! Risk of electric shock.

- ▶ The power tool may be operated, serviced and repaired only by trained and authorized personnel. This personnel must be specially informed of any possible hazards.



1. You will need the following items:

Materials
Control switch 2167705 (230 V) 2173716 (110 V) 2197122 (120~127 V)
Screwdriver (flat)
Screwdriver (combi Torx)

2. Disconnect the electric drill from the electricity supply.
3. Unscrew the casing screws and remove the casing.
4. Make a note of the positions of the plug connections.
5. Remove the supply cord. → page 8
6. Remove the carbon brushes. → page 9
7. Lift the motor out of the casing.
8. Use long-nose pliers to disconnect the 4 connectors from the stator.
9. Connect the 4 connectors of the new control switch to the stator.
10. Connect the cable from the capacitor to the stator (see illustration).
11. Position the motor and the control switch in the casing.
12. Insert the carbon brushes.
13. Fit the supply cord.
14. Position the wires as shown in the illustration.

15. Place the casing in position and insert and tighten the casing screws.

Technical data	
Torque (Casing)	1.35 Nm ... 1.75 Nm (1.00 ftlb _f ... 1.29 ftlb _f)

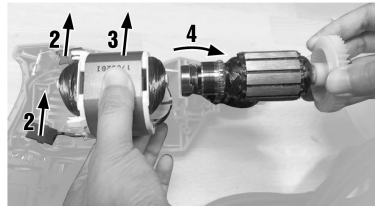
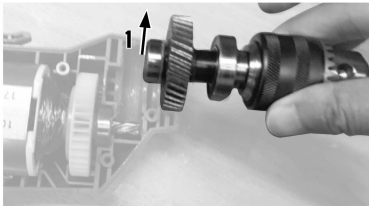
7.5 Exchange rotor



DANGER

Risk of injury! Risk of electric shock.

- ▶ The power tool may be operated, serviced and repaired only by trained, authorized personnel. This personnel must be specially informed of any possible hazards.



1. You will need the following items:

Materials
Rotor 2197108 (110 V) 2197109 (120-127 V) 2197120 (220-230 V) 2197121 (240 V)
Screwdriver (flat)
Screwdriver (combi Torx)

2. Disconnect the electric drill from the electricity supply.
3. Unscrew the casing screws and remove the casing.
4. Remove the carbon brushes. → page 9
5. Remove the chuck from the casing.
6. Remove the motor from the casing.
7. Remove the rotor from the motor and replace it with a new rotor.
8. Insert the motor in the casing.
9. Insert the chuck in the casing.
10. Insert the carbon brushes.
11. Place the casing in position and insert and tighten the casing screws.

Technical data	
Torque (Casing)	1.35 Nm ... 1.75 Nm (1.00 ftlb _f ... 1.29 ftlb _f)

8 Care and maintenance



WARNING

Danger of electric shock! Carrying out care and maintenance while the supply cord is connected to the power outlet presents a risk of serious injuries including burns.

- ▶ Always unplug the supply cord before carrying out all care and maintenance tasks.

Care

- Carefully remove stubborn dirt from the tool.
- Clean the air vents carefully with a dry brush.
- Use only a slightly damp cloth to clean the casing. Do not use cleaning agents containing silicone as they can attack the plastic parts.

Maintenance



WARNING


Danger of electric shock! Improper repairs to electrical components may lead to serious injuries including burns.

- ▶ Repairs to the electrical section of the tool or appliance may be carried out only by trained electrical specialists.
-
- At regular intervals, check all visible parts and the controls for signs of damage and make sure that they all function correctly.
 - Do not operate the power tool if signs of damage are found or if parts malfunction. Have damage repaired immediately by **Hilti Service**.
 - After cleaning and maintenance, refit all guards or protective devices and check that they function correctly.

9 Transport and storage

- Do not transport electric tools with accessory tools fitted.
- Always unplug the supply cord before storing an electric tool or appliance.
- Store tools and appliances in a dry place where they cannot be accessed by children or unauthorized persons.
- Check electric tools or appliances for damage after long periods of transport or storage.

10 Disposal

 Most of the materials from which **Hilti** tools and appliances are manufactured can be recycled. The materials must be correctly separated before they can be recycled. In many countries, your old tools, machines or appliances can be returned to **Hilti** for recycling. Ask **Hilti Service** or your Hilti representative for further information.



- ▶ Disposal of electric tools or appliances together with household waste is not permissible.

11 China RoHS (Restriction of Hazardous Substances)

Click on the link to go to the table of hazardous substances: qr.hilti.com/r7490568.

There is a link to the RoHS table, in the form of a QR code, at the end of this document.

12 Manufacturer's warranty

- ▶ Please contact your local **Hilti** representative if you have questions about the warranty conditions.

1 Указания к документации




1.1 Об этом документе

- Ознакомьтесь с этим документом перед началом работы. Это является залогом безопасной работы и бесперебойной эксплуатации.
- Соблюдайте указания по технике безопасности и предупреждающие указания, приводимые в данном документе и на изделии.
- Храните руководство по эксплуатации всегда рядом с электроинструментом и передавайте электроинструмент будущим владельцам только вместе с этим руководством.

1.2 Пояснение к знакам





1.2.1 Предупреждающие указания

Предупреждающие указания служат для предупреждения об опасностях при обращении с изделием. Следующие сигнальные слова используются в комбинации с символом:

	ОПАСНО! Общее обозначение непосредственной опасной ситуации, которая влечет за собой тяжелые травмы или смертельный исход.
	ПРЕДУПРЕЖДЕНИЕ! Общее обозначение потенциально опасной ситуации, которая может повлечь за собой тяжелые травмы или смертельный исход.
	ОСТОРОЖНО! Общее обозначение потенциально опасной ситуации, которая может повлечь за собой легкие травмы или повреждение оборудования.


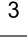



1.2.2 Символы, используемые в руководстве

В этом руководстве используются следующие символы:

	Перед использованием прочтите руководство по эксплуатации
	Указания по эксплуатации и другая полезная информация
	Обращение с материалами, пригодными для вторичной переработки
	Не выбрасывайте электроинструменты вместе с обычным мусором!

1.2.3 Символы на изображениях

На изображениях используются следующие символы:

	Эти цифры указывают на соответствующее изображение в начале данного руководства.
	Нумерация на изображениях отображает порядок выполнения рабочих операций и может отличаться от нумерации, используемой в тексте.
	Номера позиций используются в обзорном изображении. В обзоре изделия они указывают на номера в экспликации.
	Этот знак должен привлечь особое внимание пользователя при обращении с изделием.
	Беспроводная передача данных

1.3 Символы на изделии

1.3.1 Символы на изделии

На изделии используются следующие символы:

	Класс защиты II (двойная изоляция)
---	------------------------------------

1.4 Информация об изделии

Изделия **Hilti** предназначены для профессионального использования, поэтому они могут обслуживаться и ремонтироваться только уполномоченным и обученным персоналом. Этот персонал должен пройти

специальный инструктаж по технике безопасности. Использование изделия и его оснастки не по назначению или его эксплуатация необученным персоналом могут представлять опасность.

Типовое обозначение и серийный номер указаны на заводской табличке.

- ▶ Перепишите серийный номер в нижеприведенную табличную форму. Данные изделия необходимы при обращении в наше представительство или сервисный центр.

Указания к изделию

Дрель	UD 4
Поколение:	01
Серийный номер:	

1.5 Декларация соответствия нормам

Настоящим мы с полной ответственностью заявляем, что данное изделие соответствует действующим директивам и нормам. Копию декларации соответствия нормам см. в конце этого документа.

Техническая документация (оригиналы) хранится здесь:

Hilti Entwicklungsgesellschaft mbH | Zulassung Geräte | Hiltistraße 6 | 86916 Kaufering, Германия

2 Безопасность

2.1 Общие указания по технике безопасности для электроинструментов

⚠ ПРЕДУПРЕЖДЕНИЕ Изучите все указания по технике безопасности, инструкции, иллюстрации и технические данные, которые прилагаются к данному электроинструменту. Несоблюдение приводимых ниже указаний может привести к поражению электрическим током, пожару и/или тяжелым травмам.

Сохраните все указания по технике безопасности и инструкции для следующего пользователя.

Используемый далее термин «электроинструмент» относится к электроинструменту, работающему от электрической сети (с кабелем электропитания) и от аккумулятора (без кабеля электропитания).

Безопасность рабочего места

- ▶ Следите за чистотой и хорошей освещенностью на рабочем месте. Беспорядок на рабочем месте или плохое освещение могут привести к несчастным случаям.
- ▶ Не используйте электроинструмент во взрывоопасной зоне, где имеются горючие жидкости, газы или пыль. При работе электроинструмент искрит, и искры могут воспламенить пыль или пары/газы.
- ▶ Не разрешайте детям и посторонним приближаться к работающему электроинструменту. Отвлекаясь от работы, можно потерять контроль над электроинструментом.

Электрическая безопасность

- ▶ Соединительная вилка электроинструмента должна соответствовать розетке электросети. Не изменяйте конструкцию вилки! Не используйте переходные вилки с электроинструментами с защитным заземлением. Использование оригинальных вилок и соответствующих им розеток снижает риск поражения электрическим током.
- ▶ Избегайте непосредственного контакта с заземленными поверхностями, например с трубами, отопительными приборами, газо-/электропластинами и холодильниками. При контакте с заземленными предметами возникает повышенный риск поражения электрическим током.
- ▶ Предохраняйте электроинструмент от дождя или воздействия влаги. В результате попадания воды в электроинструмент возрастает риск поражения электрическим током.
- ▶ Не используйте кабель электропитания не по назначению, например для переноски электроинструмента, его подвешивания или для выдергивания вилки из розетки электросети. Защищайте кабель электропитания от воздействий высоких температур, масла, острых кромок или вращающихся деталей/узлов. В результате повреждения или схлестывания кабелей электропитания повышается риск поражения электрическим током.
- ▶ Если работы с электроинструментом выполняются на открытом воздухе, применяйте только удлинительные кабели, которые разрешено использовать вне помещений. Использование удлинительного кабеля, пригодного для использования вне помещений, снижает риск поражения электрическим током.
- ▶ Если избежать работы с электроинструментом в условиях влажности не представляется возможным, используйте автомат защиты от тока утечки. Использование автомата защиты от тока утечки снижает риск поражения электрическим током.

Безопасность персонала

- ▶ **Будьте внимательны, следите за своими действиями и серьезно относитесь к работе с электроинструментом. Не пользуйтесь электроинструментом, если вы устали или находитесь под действием наркотиков, алкоголя или медикаментов.** Незначительная ошибка при невнимательной работе с электроинструментом может стать причиной серьезного травмирования.
- ▶ **Используйте средства индивидуальной защиты и всегда надевайте защитные очки.** Использование средств индивидуальной защиты, например респиратора, защитной обуви на нескользящей подошве, защитной каски или защитных наушников, в зависимости от вида и условий эксплуатации электроинструмента, снижает риск травмирования.
- ▶ **Избегайте непреднамеренного включения электроинструмента. Убедитесь в том, что электроинструмент выключен, прежде чем подключить его к электропитанию и/или вставить аккумулятор, поднимать или переносить электроинструмент.** Ситуации, когда при переноске электроинструмента палец находится на выключателе или когда включенный электроинструмент подключается к электросети, могут привести к несчастным случаям.
- ▶ **Перед включением электроинструмента удалите регулировочные приспособления или гаечные ключи.** Рабочий инструмент или гаечный ключ, находящийся во вращающейся части электроинструмента, может стать причиной получения травм.
- ▶ **Старайтесь избегать неестественных поз при работе. Постоянно сохраняйте устойчивое положение и равновесие.** Это позволит лучше контролировать электроинструмент в непредвиденных ситуациях.
- ▶ **Носите спецодежду. Не надевайте очень свободную одежду или украшения. Оберегайте волосы, одежду и защитные перчатки от вращающихся узлов электроинструмента.** Свободная одежда, украшения и длинные волосы могут быть захвачены ими.
- ▶ **Если предусмотрено подсоединение устройств для удаления и сбора пыли, убедитесь в том, что они подсоединены и используются по назначению.** Использование пылеудаляющего аппарата снижает вредное воздействие пыли.
- ▶ **Не пребывайте в ложной уверенности в собственной безопасности и не пренебрегайте правилами техники безопасности для электроинструментов, даже если вы являетесь опытным пользователем электроинструмента.** Неосторожное обращение может в течение долей секунды стать причиной получения тяжелых травм.

Использование и обслуживание электроинструмента

- ▶ **Не допускайте перегрузки электроинструмента. Используйте электроинструмент, предназначенный именно для данной работы.** Соблюдение этого правила обеспечит более высокое качество и безопасность работы в указанном диапазоне мощности.
- ▶ **Не используйте электроинструмент с неисправным выключателем.** Электроинструмент, включение или выключение которого затруднено, представляет опасность и должен быть отремонтирован.
- ▶ **Прежде чем приступить к регулировке электроинструмента, замене принадлежностей или перед перерывом в работе выньте вилку из розетки и/или аккумулятор из электроинструмента.** Данная мера предосторожности позволит предотвратить непреднамеренное включение электроинструмента.
- ▶ **Храните неиспользуемые электроинструменты в местах, недоступных для детей. Не позволяйте использовать электроинструмент лицам, которые не ознакомлены с ним или не читали эти инструкции.** Электроинструменты представляют собой опасность в руках неопытных пользователей.
- ▶ **Бережно обращайтесь с электроинструментами и принадлежностями. Проверяйте безупречное функционирование подвижных частей, легкость их хода, целостность и отсутствие повреждений, которые могли бы отрицательно повлиять на работу электроинструмента. Сдавайте поврежденные части электроинструмента в ремонт до его использования.** Причиной многих несчастных случаев является несоблюдение правил технического обслуживания электроинструментов.
- ▶ **Необходимо следить за тем, чтобы режущие инструменты были острыми и чистыми.** Заклинивание содержащихся в надлежащем состоянии режущих инструментов происходит реже, ими легче управлять.
- ▶ **Применяйте электроинструмент, принадлежности (оснастку), рабочие инструменты и т. д. согласно данным указаниям. Учитывайте при этом рабочие условия и характер выполняемой работы.** Использование электроинструментов не по назначению может привести к опасным ситуациям.
- ▶ **Засмазанные рукоятки и поверхности для хвата немедленно очищайте — они должны быть сухими и чистыми.** Скользкие рукоятки и поверхности для хвата не обеспечивают безопасное управление и контроль электроинструмента в непредвиденных ситуациях.

Сервис

- ▶ **Доверяйте ремонт своего электроинструмента только квалифицированному персоналу, использующему только оригинальные запчасти.** Этим обеспечивается поддержание электроинструмента в безопасном и исправном состоянии.

2.2 Указания по технике безопасности при работе с дрелями

Указания по технике безопасности при выполнении любых работ

- ▶ **При сверлении с ударом пользуйтесь защитными наушниками.** В результате воздействия шума возможна потеря слуха.
- ▶ **Перед использованием позаботьтесь о достаточно надежном удержании/подпирации электроинструмента.** Этот электроинструмент генерирует высокий крутящий момент. Если не обеспечить достаточно надежное удержание/подпираание электроинструмента во время работы, возможна потеря контроля над ним и, как следствие, получение травм.
- ▶ **При опасности повреждения рабочим инструментом или шурупами скрытой электропроводки или кабеля электропитания электроинструмента держите электроинструмент за изолированные поверхности.** При контакте с токопроводящей линией металлические части электроинструмента также находятся под напряжением, что может привести к поражению электрическим током.

Указания по технике безопасности при использовании длинных сверл

- ▶ **Категорически запрещается превышать максимально допустимую частоту вращения, предписанную для эксплуатации сверла.** В противном случае сверло может легко деформироваться, если оно будет свободно вращаться без контакта с заготовкой, и травмировать пользователя.
- ▶ **Процесс сверления всегда начинайте с низкой частотой вращения. При этом сверло должно контактировать с заготовкой.** В противном случае сверло может легко деформироваться, если оно будет свободно вращаться без контакта с заготовкой, и травмировать пользователя.
- ▶ **Не прижимайте сверло с чрезмерным усилием. При сверлении следите за тем, чтобы прилагаемое усилие было направлено (распределялось) по оси сверла.** Сверла могут деформироваться и вследствие этого ломаться или возможна потеря контроля, что, в свою очередь, может привести к получению травм.

2.3 Дополнительные указания по технике безопасности при работе с шурупвертом

Безопасность персонала

- ▶ Используйте электроинструмент только в технически исправном состоянии.
- ▶ Внесение изменений в конструкцию электроинструмента или его модификация категорически запрещаются.
- ▶ Всегда надежно удерживайте электроинструмент обеими руками за предусмотренные для этого рукоятки. Следите за тем, чтобы рукоятки были сухими и чистыми.
- ▶ Не прикасайтесь к вращающимся деталям/узлам электроинструмента — опасность травмирования!
- ▶ При работе с электроинструментом надевайте подходящие защитные очки, защитную каску, защитные наушники, защитные перчатки и легкий респиратор.
- ▶ При замене рабочего инструмента надевайте защитные перчатки. Соблюдайте осторожность при замене рабочего инструмента — контакт с ним может привести к порезам и ожогам.
- ▶ Пользуйтесь защитными очками. Осколки материала могут травмировать тело и глаза.
- ▶ Перед началом работы выясните по материалу заготовки класс опасности возникающей пыли. Для работы с электроинструментом используйте строительный (промышленный) пылесос, степень защиты которого соответствует нормам пылезащиты, действующим в месте эксплуатации. Пыль, возникающая при обработке лакокрасочных покрытий, содержащих свинец, некоторых видов древесины, бетона/кирпичной и каменной кладки с частицами кварца, минералов, а также металла может представлять опасность для здоровья.
- ▶ Обеспечьте оптимальную вентиляцию рабочей зоны и при необходимости надевайте респиратор, который подходит для защиты от конкретного вида пыли. Вдыхание частиц такой пыли или контакт с ней может стать причиной появления аллергических реакций и/или заболеваний дыхательных путей как у пользователя, так и находящихся вблизи лиц. Некоторые виды пыли (например, пыль, возникающая при обработке дуба или бука) считаются канцерогенными, особенно в комбинации с дополнительными материалами, используемыми для обработки древесины (соль хромовой кислоты, средства защиты древесины). К работам с асбестосодержащим материалом должны допускаться только специалисты.
- ▶ Чтобы во время работы руки не затекали, время от времени делайте упражнения для расслабления и разминки пальцев. При длительной работе возникающие вибрации могут привести к сбоям в кровоснабжении сосудов или в нервных окончаниях пальцев/кистей рук или в запястьях.

Электрическая безопасность

- ▶ Перед началом работы проверяйте рабочее место на наличие скрытой электропроводки, газо- и водопроводных труб. Открытые металлические части электроинструмента могут стать проводниками электрического тока, если случайно задеть электропроводку.
- ▶ Проверьте состояние кабеля электропитания и его вилки. Вызовите для проверки кабеля электропитания и его вилки специалиста-электрика. При необходимости выполните замену.

Бережное обращение с электроинструментами и их правильная эксплуатация

- ▶ Немедленно выключайте электроинструмент в случае блокировки рабочего инструмента. Электроинструмент может увести в сторону.
- ▶ Дождитесь, пока электроинструмент полностью не остановится, прежде чем отложить его в сторону.

3 Назначение

3.1 Обзор изделия 1

- | | | | |
|---|----------------------|---|--|
| ① | Зажимной патрон | ⑤ | Кабель электропитания (сетевой кабель) |
| ② | Крепежный крючок | ⑥ | Выключатель |
| ③ | Рукоятка | ⑦ | Переключатель правого/левого вращения |
| ④ | Фиксатор выключателя | | |

3.2 Использование по назначению

Данное изделие представляет собой электрическую дрель, предназначенную для сверления стали, древесины и пластмассы, а также для заворачивания и выворачивания шурупов.

3.3 Комплект поставки

Дрель, руководство по эксплуатации.

Другие системные принадлежности, допущенные для использования с этим изделием, вы можете найти в **Hilti Store** или на сайте **www.hilti.group | США: www.hilti.com**

4 Технические данные

4.1 Дрель

Указание

Номинальное напряжение, номинальный ток, частота и номинальная потребляемая мощность указаны на заводской табличке (данные могут варьироваться в зависимости от экспортного исполнения).

При запитывании от генератора/трансформатора его выходная мощность должна быть как минимум вдвое выше номинальной потребляемой мощности, которая указана на заводской табличке электроинструмента. Рабочее напряжение трансформатора или генератора должно всегда находиться в диапазоне между +5 % и -15 % номинального напряжения электроинструмента.

	UD 4
Масса	1,4 кг
Класс защиты	II

4.1.1 Данные по шуму и вибрациям согласно EN 60745

Приводимые здесь значения уровня звукового давления и вибрации были измерены согласно стандартизированной процедуре измерения и могут использоваться для сравнения электроинструментов между собой. Они также подходят для предварительной оценки вредных воздействий. Указанные данные применимы к основным областям применения электроинструмента. Однако, если электроинструмент используется для других целей, с другими рабочими (сменными) инструментами или в случае его неудовлетворительного технического обслуживания, данные могут быть иными. Вследствие этого в течение всего периода работы электроинструмента возможно значительное увеличение вредных воздействий. Для точного определения вредных воздействий следует также учитывать промежутки времени, в течение которых электроинструмент находится в выключенном состоянии или работает вхолостую. Вследствие этого в течение всего периода работы электроинструмента возможно заметное уменьше-

ние вредных воздействий. Примите дополнительные меры безопасности для защиты пользователя от воздействия возникающего шума и/или вибраций, например: техническое обслуживание электроинструмента и рабочих инструментов, сохранение тепла рук, правильная организация рабочих процессов.

Данные о шуме

	UD 4
Уровень звуковой мощности	96,5 дБ
Уровень звукового давления	85,5 дБ
Коэффициент погрешности	3 дБ

Данные о вибрации

	UD 4
Сверление (a_h)	3,5 м/с ²
Коэффициент погрешности (К)	1,5 м/с ²

4.1.2 Использование удлинительного кабеля



ВНИМАНИЕ

Опасность вследствие поврежденных кабелей! При повреждении кабеля электропитания или удлинительного кабеля во время работы ни в коем случае не прикасайтесь к ним. Выньте вилку кабеля электропитания из розетки.

- ▶ Регулярно проверяйте кабель электропитания электроинструмента. Замена поврежденного кабеля должна осуществляться специалистом-электриком.

- Используйте только подходящие для данной области применения удлинительные кабели с достаточным сечением. В противном случае возможна потеря мощности электроинструмента и перегрев кабеля.
- Регулярно проверяйте, не поврежден ли удлинительный кабель.
- Поврежденные удлинительные кабели немедленно заменяйте.
- При выполнении работ вне помещений используйте только допущенные к эксплуатации удлинительные кабели с соответствующей маркировкой.

Рекомендуемое минимально допустимое сечение и максимальная длина кабеля при напряжении сети 120 В

Кабель	AWG 16	AWG 14	AWG 12	AWG 10
Сечение проводов	1,31 mm ²	2,08 mm ²	3,31 mm ²	5,26 mm ²
Сечение проводов	2,58 kcmil	4,11 kcmil	6,53 kcmil	10,4 kcmil
Длина кабеля	25 m	30 m	50 m	100 m
Длина кабеля	75 ft	100 ft	150 ft	250 ft

5 Подготовка к работе



ОСТОРОЖНО

Опасность травмирования! Непреднамеренное включение электроинструмента

- ▶ Перед регулировкой электроинструмента или заменой принадлежностей вынимайте вилку из розетки электросети.

Соблюдайте указания по технике безопасности и предупреждающие указания, приводимые в данном документе и на изделии.

5.1 Установка рабочего инструмента 2



ОСТОРОЖНО

Опасность травмирования! Непреднамеренное включение электроинструмента

- ▶ Перед регулировкой электроинструмента или заменой принадлежностей вынимайте вилку из розетки электросети.

1. С помощью ключа разблокируйте патрон с зубчатым венцом.
2. Вставьте рабочий инструмент чистым хвостовиком в патрон с зубчатым венцом или извлеките рабочий инструмент из быстрозажимного патрона.
3. Затяните ключом патрон с зубчатым венцом.
4. Извлеките ключ и вставьте его в крепление.

5.2 Снятие рабочего инструмента



ОСТОРОЖНО

Опасность травмирования! Непреднамеренное включение электроинструмента

- ▶ Перед регулировкой электроинструмента или заменой принадлежностей вынимайте вилку из розетки электросети.

1. С помощью ключа разблокируйте патрон с зубчатым венцом.
2. Извлеките рабочий инструмент.
3. Извлеките ключ для патрона и закрепите его в предусмотренном месте на ремне.

6 Выполнение работ



ВНИМАНИЕ

Опасность вследствие поврежденных кабелей! При повреждении кабеля электропитания или удлинительного кабеля во время работы ни в коем случае не прикасайтесь к ним. Выньте вилку кабеля электропитания из розетки.

- ▶ Регулярно проверяйте кабель электропитания электроинструмента. Замена поврежденного кабеля должна осуществляться специалистом-электриком.

Регулярно проверяйте удлинительные кабели и при наличии повреждений заменяйте их.

6.1 Включение

- ▶ Нажмите выключатель.



Указание

Частоту вращения можно плавно регулировать в пределах выбранного диапазона соразмерным нажатием на выключатель.

6.2 Выключение

- ▶ Отпустите выключатель.

6.3 Включение/выключение режима непрерывной работы



Указание

В ходе работы выключатель можно зафиксировать в нажатом (включенном) положении.

1. Нажмите выключатель.
2. Нажмите стопорную кнопку для работы в непрерывном режиме.
 - ◀ После этого электроинструмент будет работать в непрерывном режиме.
3. Для отключения режима непрерывной работы нажмите выключатель.
4. Отпустите выключатель.
 - ◀ Электроинструмент выключится.

6.4 Направление вращения

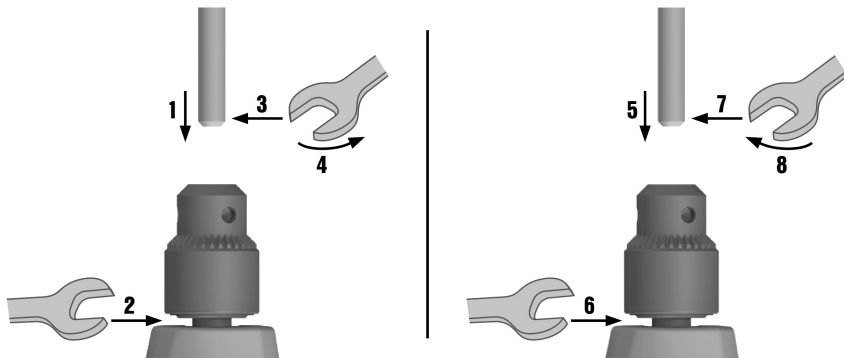
- ▶ Отрегулируйте направление вращения.
 - ◀ Переключатель зафиксируется в этом положении.

**Указание**

Ремонтно-технические работы должны проводиться только специально обученным и квалифицированным персоналом!

Ремонт, выполненный ненадлежащим образом, может стать причиной получения серьезных травм или привести к повреждению электроинструмента. В этом случае гарантия производителя аннулируется.

В зависимости от модели детали/узлы могут отличаться.

7.1 Замена зажимного патрона

1. Необходимые материалы:

Материал

Зажимной патрон
2179576

Гаечный ключ

Ключ для разблокировки/блокировки зажимного патрона
2167774

2. Отсоедините дрель от электросети.
3. С помощью соответствующего ключа разблокируйте зажимной патрон.
4. Для ослабления винта в зажимном патроне установите на головку винта шестигранную штангу-насадку.
5. С помощью соответствующего ключа заблокируйте зажимной патрон.
6. Установите гаечный ключ на привод шпинделя под зажимным патроном и крепко удерживайте ключ.
7. Наклейте подходящий гаечный ключ на шестигранную штангу-насадку и поворачивайте ключ против часовой стрелки.
◀ Зажимной патрон будет разблокирован.
8. С помощью соответствующего ключа разблокируйте зажимной патрон.
9. Извлеките шестигранную штангу-насадку и установите ее на головку винта в новом зажимном патроне.
10. С помощью соответствующего ключа заблокируйте зажимной патрон.
11. Установите гаечный ключ на привод шпинделя под зажимным патроном и крепко удерживайте ключ.
12. Наклейте подходящий гаечный ключ на шестигранную штангу-насадку и поворачивайте ключ по часовой стрелке.

Технические данные

Крутящий момент (Шпиндель)

11 Н·м ... 18 Н·м
(8 ftlb, ... 13 ftlb)

13. С помощью соответствующего ключа разблокируйте зажимной патрон.

14. Затяните винт в зажимном патроне.

Технические данные	
Крутящий момент (Винт фиксации зажимного патрона)	8 Н·м ... 13 Н·м (6 ftlb, ... 10 ftlb)

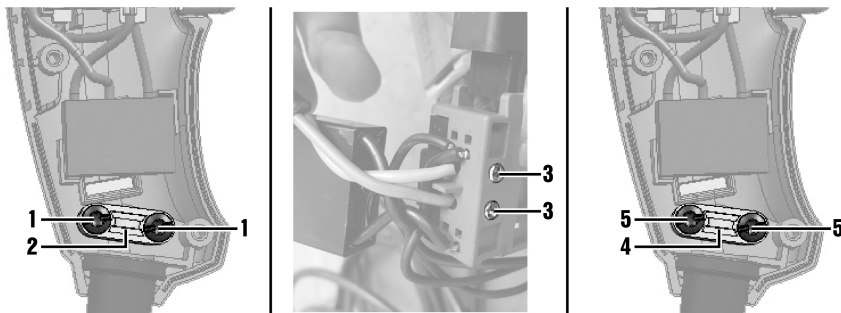
7.2 Замена кабеля электропитания



ОПАСНО

Опасность травмирования! Опасность вследствие удара электрического тока.

- ▶ Электроинструмент может эксплуатироваться, обслуживаться и ремонтироваться только уполномоченным и обученным персоналом, который должен быть специально проинформирован о возможных опасностях.



1. Необходимые материалы:

Материал
Кабель электропитания 2167712 (110 V GB) 2167713 (230 V GB) 2167714 (230 V CH) 2167715 (120 V US) 2167717 (230 V CN) 2188143 (230 V EU)
Отвертка (Combi Torx)

2. Отсоедините дрель от электросети.
3. Выверните винты крепления корпуса и снимите корпус.
4. Выверните винты крепления скобы и снимите скобу.
5. Выверните оба винта на корпусе переключателя таким образом, чтобы из корпуса переключателя можно было извлечь оба кабеля.



Указание

В зависимости от модели к корпусу переключателя может быть подсоединен конденсатор.

6. Извлеките кабель электропитания.
7. Проведите новый кабель электропитания через защиту кабеля.
8. Вставьте жилы кабеля в блок питания и снова заверните оба винта на корпусе переключателя.
 - ◀ Обе кабельные жилы надежно установлены в корпусе переключателя.
9. Проложите кабель в скобу.

10. Установите верхнюю часть скобы на кабель и заверните винты крепления скобы.

Технические данные	
Крутящий момент (Зажим)	1,35 Н·м ... 1,75 Н·м (1,00 ftlb _f ... 1,29 ftlb _f)



Указание

Обратите внимание: под скобой проходит кабельная изоляция толщиной 5 мм.

11. Проложите защиту кабеля в предусмотренные для этого углубления в корпусе.

12. Установите корпус на место и приверните его винтами крепления.

Технические данные	
Крутящий момент (Корпус)	1,35 Н·м ... 1,75 Н·м (1,00 ftlb _f ... 1,29 ftlb _f)

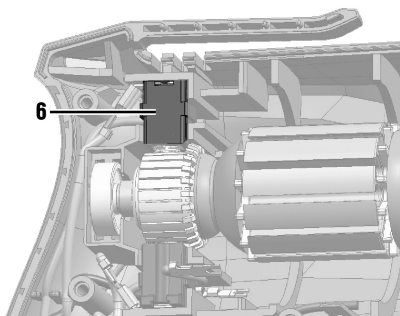
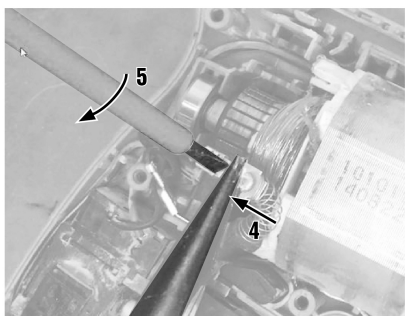
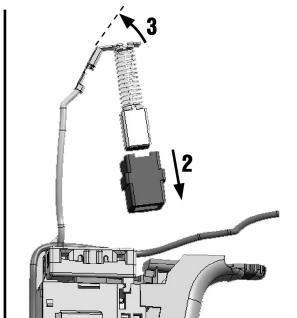
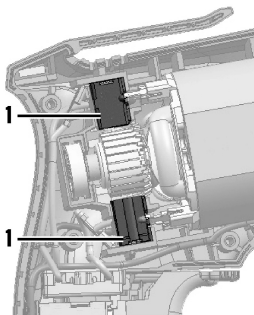
7.3 Замена угольных щеток



ОПАСНО

Опасность травмирования! Опасность вследствие удара электрического тока.

- ▶ Электроинструмент может эксплуатироваться, обслуживаться и ремонтироваться только уполномоченным и обученным персоналом, который должен быть специально проинформирован о возможных опасностях.



1. Необходимые материалы:

Материал
Угольные щетки 2167718
Длинногубцы
Отвертка (штицевая)
Отвертка (Combi Torx)

2. Отсоедините дрель от электросети.
3. Выверните винты крепления корпуса и снимите корпус.
4. Запомните расположение проводов и угольных щеток.
5. Извлеките верхнюю угольную щетку из гнезда.
6. Отсоедините верхнюю угольную щетку от патрона.
7. Выпрямите штекерный соединитель.
8. Зажмите штекерный соединитель нижней угольной щетки длинногубцами.
9. Вставьте отвертку (штицевую) между длинногубцами и креплением штекерного соединителя.
10. Высвободите штекерный соединитель из его крепления, повернув отвертку (штицевую).
11. Извлеките нижнюю угольную щетку.
12. Выпрямите штекерный соединитель.
13. Соедините верхний штекерный соединитель с креплением штекерного соединителя верхней угольной щетки.
14. Задвиньте верхнюю угольную щетку в патрон.
15. Установите верхнюю угольную щетку в верхнее гнездо.
16. Соедините нижний штекерный соединитель с креплением штекерного соединителя нижней угольной щетки.

17. Установите нижнюю угольную щетку в нижнее гнездо.



Указание

Убедитесь в том, что ни один из кабелей не зажат. Угольные щетки и провода должны быть установлены так же, как и перед заменой.

18. Установите корпус на место и приверните его винтами крепления.

Технические данные

Крутящий момент (Корпус)

1,35 Н·м ... 1,75 Н·м
(1,00 ftlb, ... 1,29 ftlb)

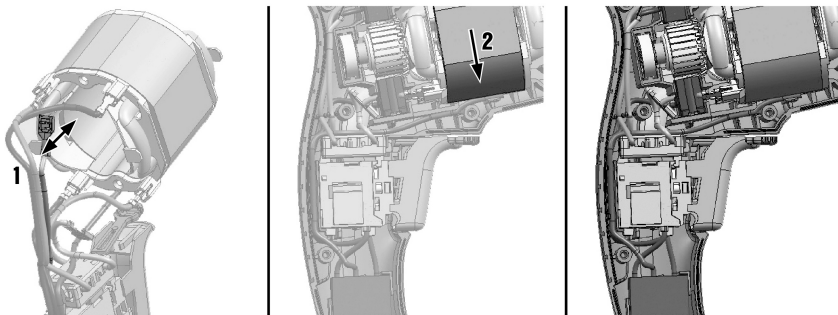
7.4 Замена выключателя



ОПАСНО

Опасность травмирования! Опасность вследствие удара электрического тока.

- ▶ Электроинструмент может эксплуатироваться, обслуживаться и ремонтироваться только уполномоченным и обученным персоналом, который должен быть специально проинформирован о возможных опасностях.



1. Необходимые материалы:

Материал

Выключатель
2167705 (230 V)
2173716 (110 V)
2197122 (120~127 V)

Отвертка (шлицевая)

Отвертка (Combi Torx)

2. Отсоедините дрель от электросети.
3. Выверните винты крепления корпуса и снимите корпус.
4. Запомните позицию штекерных соединений.
5. Извлеките кабель электропитания. → страница 22
6. Извлеките угольные щетки. → страница 23
7. Извлеките двигатель из корпуса.
8. С помощью длинногубцев разъедините четыре штекерных соединения на статоре.
9. Подсоедините четыре штекерных соединения нового выключателя к статору.
10. Подсоедините кабель конденсатора к статору (см. рис.).
11. Установите двигатель и выключатель в корпус.
12. Вставьте угольные щетки.
13. Подсоедините кабель электропитания.
14. Проложите кабель, как показано на рисунке.

15. Установите корпус на место и заверните винты крепления.

Технические данные	
Крутящий момент (Корпус)	1,35 Н·м ... 1,75 Н·м (1,00 ftlb, ... 1,29 ftlb)

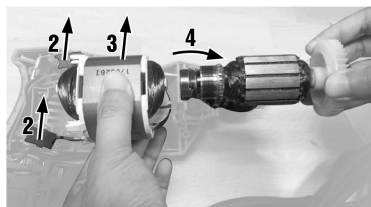
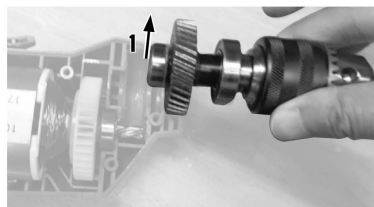
7.5 Замена ротора



ОПАСНО

Опасность травмирования! Опасность вследствие удара электрического тока.

- ▶ Электроинструмент может эксплуатироваться, обслуживаться и ремонтироваться только уполномоченным и обученным персоналом, который должен быть специально проинформирован о возможных опасностях.



1. Необходимые материалы:

Материал
Ротор 2197108 (110 V) 2197109 (120-127 V) 2197120 (220-230 V) 2197121 (240 V)
Отвертка (шлицевая)
Отвертка (Combi Torx)

2. Отсоедините дрель от электросети.
3. Выверните винты крепления корпуса и снимите корпус.
4. Извлеките угольные щетки. → страница 23
5. Извлеките зажимной патрон из корпуса.
6. Извлеките двигатель из корпуса.
7. Извлеките ротор из двигателя и вставьте новый ротор.
8. Вставьте двигатель в корпус.
9. Установите зажимной патрон в корпус.
10. Вставьте угольные щетки.
11. Установите корпус на место и приверните его винтами крепления.

Технические данные	
Крутящий момент (Корпус)	1,35 Н·м ... 1,75 Н·м (1,00 ftlb, ... 1,29 ftlb)

8 Уход и техническое обслуживание



ВНИМАНИЕ

Опасность вследствие удара электрического тока! Выполнение работ по уходу и обслуживанию с подключенной вилкой сетевого кабеля может привести к тяжелым травмам и ожогам.

- ▶ Перед проведением любых работ по уходу и обслуживанию всегда вынимайте из розетки вилку сетевого кабеля!

Уход

- Осторожно удаляйте налипшую грязь.
- Осторожно очищайте вентиляционные прорези сухой щеткой.
- Очищайте корпус только с помощью слегка увлажненной ткани. Не используйте средства по уходу с содержанием силикона, поскольку они могут повредить пластиковые детали.

Техническое обслуживание



ВНИМАНИЕ


Опасность вследствие удара электрического тока! Неквалифицированный ремонт компонентов электрической части может привести к получению серьезных травм и ожогам.

- ▶ Ремонт электрической части перфоратора поручайте только специалисту-электрику.
- Регулярно проверяйте все видимые части устройства на отсутствие повреждений, а элементы управления — на исправное функционирование.
- Не используйте устройство при повреждениях и/или функциональных сбоях. Сразу сдавайте его в сервисный центр **Hilti** для ремонта.
- После ухода за устройством и его технического обслуживания установите все защитные приспособления на место и проверьте их исправное функционирование.

9 Транспортировка и хранение

- Транспортировка электроинструмента с установленным рабочим инструментом запрещается.
- Храните электроинструмент всегда с вынутой вилкой кабеля.
- Храните электроинструмент в сухом виде в недоступном для детей и других лиц, не допущенных к работе с данным электроинструментом, месте.
- После продолжительной транспортировки или длительного хранения перед использованием проверяйте электроинструмент на отсутствие повреждений.

10 Утилизация

 Большинство материалов, из которых изготовлены электроинструменты **Hilti**, подлежат вторичной переработке. Перед утилизацией следует тщательно рассортировать материалы (для удобства их последующей переработки). Во многих странах фирма **Hilti** уже организовала прием старых (электро)инструментов (изделий) для утилизации. Дополнительную информацию по этому вопросу можно получить в отделе по обслуживанию клиентов или у консультантов по продажам фирмы **Hilti**.



- ▶ Не выбрасывайте электроинструменты вместе с обычным мусором!

11 China RoHS (Директива об ограничении применения опасных веществ)

По этой ссылке доступна таблица опасных веществ: qr.hilti.com/r7490568.

Ссылку в виде QR-кода на таблицу опасных веществ согласно директиве RoHS см. в конце этого документа.

12 Гарантия производителя

- ▶ С вопросами относительно гарантийных условий обращайтесь в ближайшее представительство **Hilti**.

1 Інформація про документацію

1.1 Інформація про цей документ

- Перш ніж розпочинати роботу з інструментом, прочитайте цей документ. Це є передумовою безпечної роботи та відсутності несправностей під час застосування інструмента.
- Дотримуйтеся попереджувальних вказівок та вказівок з техніки безпеки, наведених у цьому документі та на корпусі інструмента.
- Завжди зберігайте інструкцію з експлуатації поблизу інструмента та передавайте інструмент іншим особам лише разом з інструкцією.

1.2 Пояснення символів

1.2.1 Попереджувальні вказівки

Попереджувальні вказівки інформують користувача про фактори небезпеки, пов'язані із застосуванням інструмента. Наведені нижче сигнальні слова використовуються у комбінації з відповідними символами:



НЕБЕЗПЕКА! Указує на безпосередню небезпеку, що може призвести до отримання тяжких тілесних ушкоджень або навіть смерті.



ПОПЕРЕДЖЕННЯ! Указує на потенційну небезпеку, яка може призвести до отримання тяжких тілесних ушкоджень або навіть смерті.



УВАГА! Указує на потенційно небезпечну ситуацію, яка може призвести до отримання легких тілесних ушкоджень або до матеріальних збитків

1.2.2 Символи у документі

У цьому документі використовуються такі символи:



Перед використанням прочитайте інструкцію з експлуатації



Указівки щодо експлуатації та інша корисна інформація



Поводження з матеріалами, придатними для вторинної переробки



Не викидайте електроінструменти у баки для побутового сміття!

1.2.3 Символи на ілюстраціях

На ілюстраціях використовуються такі символи:

2

Цифрами позначаються відповідні ілюстрації, наведені на початку цієї інструкції

3

Нумерація відображає послідовність робочих кроків на ілюстраціях та може відрізнитися від нумерації у тексті

11

Номера позицій, наведені на **оглядовій ілюстрації**, відповідають номерам у легенді, що представлена у розділі «**Огляд продукту**»



Цей символ позначає аспекти, на які слід звернути особливу увагу під час застосування інструмента.



Бездротова передача даних

1.3 Символи на інструменті

1.3.1 Символи на інструменті

На інструменті наведені такі символи:



Клас захисту II (подвійна ізоляція)

1.4 Інформація про інструмент

Інструменти **Hilti** призначені для професійного використання, а тому їхню експлуатацію, технічне обслуговування та ремонт слід доручати лише авторизованому персоналу зі спеціальною підготовкою. Цей

персонал повинен бути спеціально проінструктований про можливі ризики. Інструмент та допоміжне приладдя можуть стати джерелом небезпеки у разі їхнього неправильного застосування некваліфікованим персоналом або у разі використання не за призначенням.

Тип та серійний номер зазначені на заводській таблиці.

- ▶ Перепишіть серійний номер у наведену нижче таблицю. При оформленні запитів до нашого представництва та до сервісної служби вказуйте інформацію про інструмент.

Інформація про інструмент

Свердильний інструмент	UD 4
Версія:	01
Серійний номер:	

1.5 Сертифікат відповідності

Зі всією належною відповідальністю заявляємо, що описаний у цьому документі інструмент відповідає діючим директивам і стандартам. Копія сертифіката відповідності наведена у кінці цього документа.

Технічна документація зазначена нижче:

Hilti Entwicklungsgesellschaft mbH | Zulassung Geräte | Hiltistraße 6 | 86916 Kaufering, DE

2 Безпека

2.1 Загальні вказівки з техніки безпеки при роботі з електроінструментами

⚠ ПОПЕРЕДЖЕННЯ! Уважно прочитайте усі вказівки та інструкції з техніки безпеки, ознайомтеся з малюнками та технічними даними цього електроінструмента. Щонайменше недотримання наведених нижче вказівок може призвести до ураження електричним струмом, займання та/або отримання тяжких травм.

Збережіть всі інструкції та вказівки з техніки безпеки – вони можуть знадобитися Вам у майбутньому.

Термін «електроінструмент», який використовується у вказівках з техніки безпеки, позначає як електроінструменти, що працюють від електричної мережі (із кабелем живлення), так і електроінструменти, що працюють від акумуляторної батареї (без кабелю живлення).

Безпека на робочому місці

- ▶ **Дбайте про чистоту та достатнє освітлення робочого місця.** Безлад на робочому місці та недостатнє освітлення можуть стати причиною нещасних випадків.
- ▶ **Не працюйте з електроінструментом у вибухонебезпечному середовищі, що містить легкозаймисті рідини, гази або пил.** Під час роботи електроінструментів утворюються іскри, від яких можуть зайнятися легкозаймисті випари або пил.
- ▶ **Подбайте про те, щоб під час використання електроінструмента поблизу не було дітей та сторонніх осіб.** Щонайменше відволікання може призвести до втрати контролю над інструментом.

Електрична безпека

- ▶ **Штепсельна вилка електроінструмента повинна підходити до розетки живлення. Забороняється вносити зміни до конструкції штепсельної вилки. Не дозволяється застосовувати перехідні штепсельні вилки в електроінструментах із захисним заземленням.** У разі використання оригінальних штепсельних вилок і відповідних розеток знижується ризик ураження електричним струмом.
- ▶ **Під час роботи намагайтеся не торкатися заземлених поверхонь, наприклад труб, радіаторів опалення, печей та холодильників.** Якщо Ваше тіло перебуває в контакт з системою заземлення, існує підвищений ризик ураження електричним струмом.
- ▶ **Захищайте електроінструменти від дощу та вологи.** У разі проникнення води в електроінструмент підвищується ризик ураження електричним струмом.
- ▶ **Використовуйте з'єднувальний кабель тільки за призначенням, не переносьте за нього електроінструмент, не користуйтеся ним для підвищення інструмента та не тримайтеся за нього, дістаючи штепсельну вилку з розетки.** Оберігайте з'єднувальний кабель від впливу високих температур, від дії мастил та контакту з гострими кромками або рухомими частинами інструмента. Пошкоджені або заплутані з'єднувальні кабелі підвищують ризик ураження електричним струмом.
- ▶ **Працюючи з електроінструментом під відкритим небом, використовуйте лише подовжувальний кабель, придатний для зовнішнього застосування.** Використання подовжувального кабелю, призначеного для зовнішнього застосування, зменшує ризик ураження електричним струмом.

- ▶ Якщо неможливо уникнути експлуатації електроінструмента за умов підвищеної вологості, використовуйте автомат захисту від струму витoku. Використання автомата захисту від струму витoku зменшує ризик ураження електричним струмом.

Безпека персоналу

- ▶ Будьте уважними, зосередьтеся на виконуваній операції, до роботи з електроінструментом ставтеся серйозно. Не користуйтеся електроінструментом, якщо Ви втомлені або перебуваєте під дією наркотичних речовин, алкоголю або лікарських засобів. Під час роботи з електроінструментом не відволікайтеся ні на мить, оскільки це може призвести до отримання серйозних травм.
- ▶ Використовуйте засоби індивідуального захисту і завжди надягайте захисні окуляри. Використання засобів індивідуального захисту, наприклад респіратор, захисного взуття на нековзній підшві, захисного шолома або шумозахисних навушників – залежно від різновиду електроінструмента та особливостей його застосування – зменшує ризик травмування.
- ▶ Уникайте випадкового вмикання електроінструмента. Переконайтеся в тому, що електроінструмент вимкнений, перш ніж вставляти штепсельну вилку в розетку живлення та/або приєднувати акумулятор, підняти електроінструмент або переносити його. Якщо під час перенесення електроінструмента тримати палець на вимикачі або приєднувати інструмент до джерела живлення увімкненим, це може призвести до нещасного випадку.
- ▶ Перш ніж вмикати електроінструмент, від'єднайте від нього все налагоджувальне приладдя або гайкові ключі. Приладдя або ключ, що знаходяться в обертовому вузлі інструмента, можуть стати причиною отримання травм.
- ▶ Уникайте виконання роботи в незручній позі. Під час виконання робіт ставайте в стійку позу і намагайтеся повсякчас утримувати рівновагу. Це дозволить Вам більш упевнено контролювати електроінструмент у разі виникнення несподіваних обставин.
- ▶ Надягайте відповідний робочий одяг. Не надягайте для роботи занадто просторий одяг та прикраси. Слідкуйте за тим, щоб волосся, одяг та робочі рукавиці знаходилися подалі від обертових частин інструмента. Просторий одяг, прикраси або довге волосся можуть бути захоплені рухомими частинами інструмента.
- ▶ Якщо передбачена можливість усунування системи пиловидалення та пиловбирників, обов'язково переконайтеся в тому, що вони правильно приєднані й використовуються належним чином. Застосування системи видалення пилу дозволяє зменшити негативний вплив пилу на персонал.
- ▶ Не можна нехтувати правилами безпеки під час роботи з електроінструментами навіть у тому випадку, коли Ви дуже знайомі з тим чи іншим електроінструментом. Якщо користуватися інструментом необережно, лише малої частки секунди може бути достатньо для отримання тяжких травм.

Використання електроінструмента та належний догляд за ним

- ▶ Не допускайте перенавантаження інструмента. Завжди використовуйте електроінструмент, призначений для виконання відповідної роботи. При використанні належного електроінструмента забезпечуються більш висока якість та безпека виконання робіт у вказаному діапазоні продуктивності.
- ▶ Не використовуйте електроінструмент із пошкодженим вимикачем. Електроінструмент, який неможливо вмикати або вимикати, є небезпечним і підлягає ремонту.
- ▶ Перш ніж розпочинати налаштування інструмента, виконувати заміну приладдя або робити перерву в роботі, не забудьте вийняти штепсельну вилку з розетки та/або вийняти з інструмента змінну акумуляторну батарею. Такий запобіжний захід допоможе уникнути випадкового вмикання електроінструмента.
- ▶ Електроінструменти, що не використовуються, зберігайте в недоступному для дітей місці. Не дозволяйте користуватися інструментом особам, які не ознайомлені з ним або не прочитали ці вказівки. У руках недосвідчених людей електроінструменти являють собою серйозну небезпеку.
- ▶ Електроінструменти та їх приладдя потребують дбайливого догляду. Ретельно перевіряйте, чи бездоганно працюють та чи не заклинюють рухомі частини, чи не зламалися або не зазнали інших пошкоджень деталі, від яких залежить справна робота електроінструмента. Перед початком роботи з інструментом пошкоджені деталі слід відремонтувати. Багатьох нещасних випадків можна уникнути за умови належного технічного обслуговування електроінструментів.
- ▶ Слідкуйте за тим, щоб ріжучі інструменти завжди залишалися чистими та належним чином заточеними. Дбайливо доглянутий ріжучий інструмент із гострими різальними кромками не так часто заклинюється, і з ним легше працювати.
- ▶ Під час експлуатації електроінструмента, приладдя до нього, робочих інструментів тощо дотримуйтеся наведених у цьому документі вказівок. При цьому завжди враховуйте умови в місці

виконання робіт та дії, яких вимагає поставлене завдання. Використання електроінструментів не за призначенням може призвести до виникнення небезпечних ситуацій.

- ▶ **Слідкуйте за тим, щоб поверхні рукояток були чистими та сухими, та не допускайте їхнього забруднення мастилом.** Якщо поверхні рукояток слизькі, це унеможливило певнене контролювання електроінструмента у непередбачених ситуаціях.

Сервісне обслуговування

- ▶ **Доручайте ремонт електроінструмента лише кваліфікованому персоналу зі спеціальною підготовкою за умови використання тільки оригінальних запасних частин.** Це забезпечить функціональність електроінструмента.

2.2 Указівки з техніки безпеки при роботі зі свердлильними інструментами

Указівки з техніки безпеки для виконання усіх типів робіт

- ▶ **Під час ударного свердління використовуйте захисні навушники.** Тривалий вплив шуму може призвести до втрати слуху.
- ▶ **Перед початком використання інструмента забезпечте для нього належну опору.** Цей електроінструмент розвиває високий крутильний момент. Якщо під час роботи не забезпечено належну опору електроінструмента, існує ймовірність втрати контролю та травмування.
- ▶ **Тримайте електроінструмент за ізольовані поверхні рукояток, оскільки під час використання робочий інструмент або гвинт може натрапити на приховані електричні кабелі або з'єднувальний кабель інструмента.** У разі контакту з електричним кабелем, який знаходиться під напругою, металеві деталі інструмента також потраплять під напругу, а це може призвести до ураження електричним струмом.

Указівки з техніки безпеки під час застосування довгих свердел

- ▶ **Швидкість обертання у жодному разі не повинна перевищувати максимально припустиму швидкість обертання свердла.** Якщо свердло обертатиметься із більшою швидкістю, то під час вільного обертання без контакту з оброблюваним об'єктом воно може деформуватися, що у свою чергу може спричинити травми.
- ▶ **Завжди розпочинайте свердління за низької швидкості обертання, попередньо встановивши свердло на оброблюваний об'єкт.** Якщо свердло обертатиметься із більшою швидкістю, то під час вільного обертання без контакту з оброблюваним об'єктом воно може деформуватися, що у свою чергу може спричинити травми.
- ▶ **На свердло дозволяється натискати лише у поздовжньому напрямку, не докладаючи при цьому надмірних зусиль.** Невиконання цієї вказівки може призвести до руйнування свердла внаслідок його деформування або спричинити травми внаслідок втрати контролю над інструментом.

2.3 Додаткові вказівки з техніки безпеки під час загвинчування гвинтів

Безпека персоналу

- ▶ Користуйтеся лише повністю справним інструментом.
- ▶ Вносити будь-які зміни до конструкції інструмента заборонено.
- ▶ Завжди міцно тримайте інструмент обома руками за передбачені для цього рукоятки. Слідкуйте за тим, щоб рукоятки були сухими та чистими.
- ▶ Уникайте контакту з деталями інструмента, що обертаються. Існує ризик отримання травм!
- ▶ Під час роботи з інструментом використовуйте захисні окуляри, шолом, навушники, робочі рукавиці та легкий респіратор.
- ▶ Під час заміни змінного робочого інструмента також користуйтеся захисними рукавицями. Контакт зі змінним робочим інструментом може призвести до отримання порізів або опіків.
- ▶ Використовуйте захисні окуляри. Уламки матеріалу можуть завдати поранень або пошкодити очі.
- ▶ Перш ніж розпочинати роботу, з'ясуйте клас безпеки пилу, що при цьому буде утворюватися. Використовуйте будівельний пиლოსос затвердженого класу захисту, що відповідає місцевим вимогам щодо захисту від пилу. Пил, що містить такі матеріали, як фарби із вмістом свинцю, тирсу деяких порід деревини, бетон, цеглу, кварцові гірські породи і мінерали, а також метал, може бути шкідливим для здоров'я.
- ▶ Подбайте про належну вентиляцію робочого місця та користуйтеся респіратором, який підходить до матеріалу, що обробляється. У разі контакту з таким пилом або при його вдиханні у користувача електроінструмента та у людей, що знаходяться поруч, можуть виникнути алергічні реакції та/або захворювання дихальних шляхів. Деякі різновиди пилу, наприклад деревини дуба і бука, вважаються канцерогенними, особливо у поєднанні з речовинами для обробки деревини (хроматом, засобами для захисту деревини). До обробки матеріалів, що містять азбест, допускаються лише фахівці зі спеціальною підготовкою.

- ▶ Працюйте з перервами та виконуйте вправи на розминання пальців, щоб покращити кровообіг у них. Під час довготривалих робіт вібрація може пошкодити судини або нерви у пальцях, руках або зап'ясткових суглобах.

Електрична безпека

- ▶ Перед початком роботи перевіряйте робоче місце на наявність прихованих електричних кабелів, газових та водопровідних труб. Якщо Ви під час роботи випадково пошкодите електричні кабелі, контакт з відкритими металевими деталями інструмента може спричинити ураження електричним струмом.
- ▶ Перевіряйте стан кабелю живлення та штепсельної вилки. Зверніться до фахівця-електрика, щоб перевірити кабель живлення; за необхідності замініть кабель.

Належне використання електроінструментів та дбайливий догляд за ними

- ▶ Якщо сталося блокування змінного робочого інструмента, негайно вимкніть інструмент. Інструмент може відхилитися вбік.
- ▶ Зачекайте, доки змінний робочий інструмент повністю зупиниться, перш ніж знімати його з оброблюваного об'єкту.

3 Опис

3.1 Огляд продукту

- | | |
|---------------------|--|
| ① Затискний патрон | ⑤ Кабель живлення |
| ② Поясний гачок | ⑥ Вимикач |
| ③ Рукотка | ⑦ Перемикач напрямку обертання за годинниковою стрілкою/проти годинникової стрілки |
| ④ Фіксатор вимикача | |

3.2 Використання за призначенням

Описаний у цьому документі пристрій являє собою електричний свердлильний інструмент. Він призначений для свердління отворів у сталі, деревині та пластмасі, а також для загвинчування і розгвинчування гвинтів.

3.3 Комплект постачання

Свердлильний інструмент, інструкція з експлуатації.

Інше приладдя, допущене до експлуатації з Вашим інструментом, Ви можете придбати у **Hilti Store** або на веб-сайті **www.hilti.group** | США: **www.hilti.com**

4 Технічні дані

4.1 Свердлильний інструмент

Вказівка

Номінальна напруга, номінальний струм, частота та номінальна споживана потужність вказані на заводській табличці інструмента, передбаченій для Вашої країни.

Якщо живлення інструмента здійснюється від генератора або трансформатора, то його вихідна потужність має вдвічі перевищувати потужність, вказану на заводській табличці інструмента. Робоча напруга трансформатора або генератора повинна постійно перебувати у межах від +5 % до -15 % від номінальної напруги інструмента.

	UD 4
Маса	1,4 кг
Клас захисту	II

4.1.1 Дані про шум та значення вібрації, виміряні згідно зі стандартом EN 60745

Наведені у цих рекомендаціях значення звукового тиску та вібрації були виміряні згідно з установленою процедурою вимірювання та можуть використовуватися для порівняння електроінструментів. Вони також придатні для попереднього оцінювання шумового та вібраційного навантаження. Наведені дані обумовлюють переважні сфери застосування електроінструмента. Однак якщо Ви використовуєте його не за призначенням, застосовуєте нестандартне приладдя або неналежним чином здійснюєте

догляд за інструментом, ці дані можуть відрізнятись від вказаних значень. Це може призвести до помітного збільшення шумового та вібраційного навантаження протягом усього робочого часу. Для більш точної оцінки шумового та вібраційного навантаження необхідно враховувати також проміжний час, протягом яких інструмент залишається вимкненим або працює на холостому ході. Це може значно зменшити вібраційне та шумове навантаження протягом усього робочого часу. Необхідно також вживати додаткових заходів безпеки з метою захисту працівників від дії шуму та/або вібрації, зокрема: проводити своєчасне технічне обслуговування електрорієнтаменту та змінних робочих інструментів до нього, утримувати руки у теплі, належним чином організувати робочий процес.

Інформація про шум

	UD 4
Рівень шумової потужності	96,5 дБ
Рівень звукового тиску	85,5 дБ
Похибка	3 дБ

Інформація про вібрацію

	UD 4
Свердління (a_n)	3,5 м/с ²
Похибка (К)	1,5 м/с ²

4.1.2 Використання подовжувального кабелю



ПОПЕРЕДЖЕННЯ

Небезпека через пошкодження кабелю! Якщо під час роботи було пошкоджено кабель живлення або подовжувальний кабель, торкатися до них заборонено. Вийміть штепсельну вилку кабелю живлення з розетки.

- ▶ Регулярно перевіряйте з'єднувальний кабель інструмента. Якщо Ви виявили його пошкодження зверніться до фахівця-електрика, щоб замінити кабель.

- Використовуйте тільки дозволені для цієї області застосування подовжувальні кабелі з достатнім поперечним перерізом дроту. Інакше може спостерігатися зниження потужності інструмента і перегрівання кабелю.
- Регулярно перевіряйте подовжувальний кабель на наявність пошкоджень.
- Пошкоджені подовжувальні кабелі підлягають заміні.
- Для зовнішніх робіт застосовуйте лише дозволені для експлуатації кабелі, що мають відповідне маркування.

Рекомендований мінімальний поперечний переріз та максимальна довжина кабелю за напруги мережі у 120 В

Кабель	AWG 16	AWG 14	AWG 12	AWG 10
Поперечний переріз дроту	1,31 mm ²	2,08 mm ²	3,31 mm ²	5,26 mm ²
Поперечний переріз дроту	2,58 kcmil	4,11 kcmil	6,53 kcmil	10,4 kcmil
Довжина кабелю	25 m	30 m	50 m	100 m
Довжина кабелю	75 ft	100 ft	150 ft	250 ft

5 Підготовка до роботи



ОБЕРЕЖНО

Ризик отримання травм! Випадкове увімкнення інструмента.

- ▶ Виймайте штепсельну вилку кабелю живлення з розетки, перш ніж задавати налаштування інструмента або замінювати приладдя.

Дотримуйтеся попереджувальних вказівок та вказівок з техніки безпеки, наведених у цьому документі та на корпусі інструмента.

5.1 Установлення змінного робочого інструмента 2



ОБЕРЕЖНО

Ризик отримання травм! Випадкове увімкнення інструмента.

- ▶ Виймайте штепсельну вилку кабелю живлення з розетки, перш ніж задавати налаштування інструмента або замінювати приладдя.

1. Відкрийте затискний патрон із зубчастим вінцем за допомогою ключа для патрона.
2. Уставте хвостовик змінного робочого інструмента у затискний патрон із зубчастим вінцем (при цьому хвостовик повинен бути чистим) або дістаньте змінний робочий інструмент із швидкозатискної втулки.
3. Закрийте затискний патрон із зубчастим вінцем за допомогою ключа для патрона.
4. Дістаньте ключ для патрона та вставте його у тримач.

5.2 Знімання змінного робочого інструмента 3



ОБЕРЕЖНО

Ризик отримання травм! Випадкове увімкнення інструмента.

- ▶ Виймайте штепсельну вилку кабелю живлення з розетки, перш ніж задавати налаштування інструмента або замінювати приладдя.

1. Відкрийте затискний патрон із зубчастим вінцем за допомогою ключа для патрона.
2. Вийміть змінний робочий інструмент.
3. Від'єднайте ключ затискного патрона та закріпіть його на призначеному для нього ремені.

6 Під час роботи



ПОПЕРЕДЖЕННЯ

Небезпека через пошкодження кабелю! Якщо під час роботи було пошкоджено кабель живлення або подовжувальний кабель, торкатися до них заборонено. Вийміть штепсельну вилку кабелю живлення з розетки.

- ▶ Регулярно перевіряйте з'єднувальний кабель інструмента. Якщо Ви виявили його пошкодження зверніться до фахівця-електрика, щоб замінити кабель.

Регулярно перевіряйте стан подовжувальних кабелів і замінійте їх у разі пошкодження.

6.1 Увімкнення

- ▶ Натисніть на вимикач інструмента.



Вказівка

Змінюючи силу натискання на вимикач, Ви можете плавно підвищувати швидкість обертання до максимального значення.

6.2 Вимикання інструмента

- ▶ Відпустіть вимикач.

6.3 Увімкнення та вимкнення тривалого режиму роботи



Вказівка

Під час роботи Ви можете зафіксувати вимикач в увімкнутому положенні.

1. Натисніть на вимикач інструмента.
2. Для цього натисніть на кнопку фіксації для роботи у тривалому режимі.
 - ◀ Тепер інструмент працюватиме у тривалому режимі.
3. Щоб вимкнути тривалий режим роботи, натисніть на вимикач.
4. Відпустіть вимикач.
 - ◀ Інструмент вимкнеться.

6.4 Напря́м оберта́ння

- ▶ Установіть напря́м оберта́ння.
 - ◀ Перемикач повинен зафіксуватися у цьому положенні.

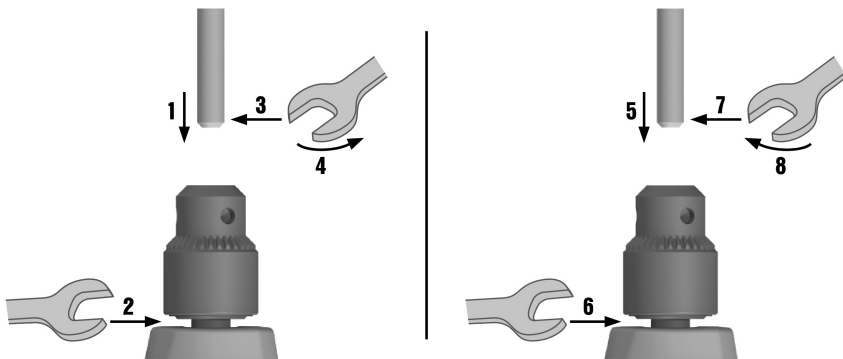
7 Ремонт



Вказівка

Ремонт і технічне обслуговування інструмента слід доручати тільки кваліфікованому персоналу! Проведення неавторизованого ремонту може призвести до нещасного випадку або до пошкодження інструмента. Крім того, у разі проведення неавторизованого ремонту гарантія виробника буде анульована.
Використовувані робочі деталі можуть відрізнятися залежно від варіанту моделі.

7.1 Заміна затискного патрона



1. Виконайте такі дії:

Матеріал
Затискний патрон 2179576
Гайковий ключ з відкритим зівом
Ключ для затискного патрона 2167774

2. Від'єднайте свердлильний інструмент від мережі живлення.
3. Відкрийте затискний патрон за допомогою призначеного для нього ключа.
4. Щоб послабити гвинт у затискному патроні, установіть шестигранний штифт у головку гвинта.
5. Закрийте затискний патрон за допомогою призначеного для нього ключа.
6. Установіть гайковий ключ з відкритим зівом на привід шпинделя під затискним патроном та надійно утримуйте ключ.
7. Установіть відповідний гайковий ключ з відкритим зівом на шестигранний штифт та повертайте ключ проти годинникової стрілки.
 - ◀ Затискний патрон вивільниться.
8. Відкрийте затискний патрон за допомогою призначеного для нього ключа.
9. Дістаньте шестигранний штифт та встановіть його у головку гвинта на новому затискному патроні.
10. Закрийте затискний патрон за допомогою призначеного для нього ключа.
11. Установіть гайковий ключ з відкритим зівом на привід шпинделя під затискним патроном та надійно утримуйте ключ.

12. Установіть відповідний гайковий ключ з відкритим зівом на шестигранний штифт та повертайте ключ за годинниковою стрілкою.

Технічні дані	
Обертний момент (Шпindelъ)	11 Н·м ... 18 Н·м (8 ftlb _r ... 13 ftlb _r)

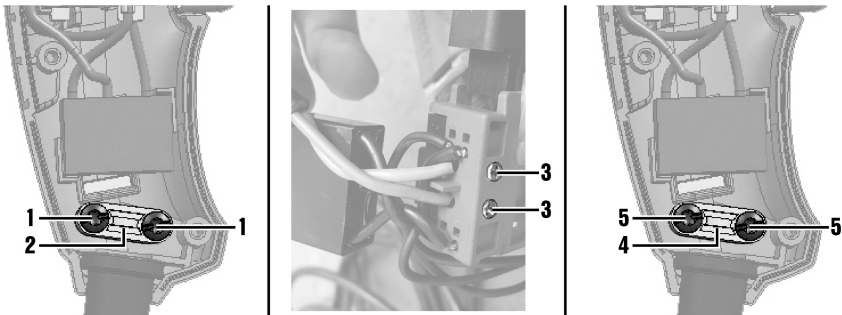
13. Відкрийте затискний патрон за допомогою призначеного для нього ключа.
14. Затягніть гвинт у затискному патроні.

Технічні дані	
Обертний момент (Гвинт затискного патрона)	8 Н·м ... 13 Н·м (6 ftlb _r ... 10 ftlb _r)

7.2 Заміна кабелю живлення

⚠ НЕБЕЗПЕКА
Ризик отримання травм! Небезпека враження електричним струмом.

- ▶ До обслуговування та ремонту інструмента може бути допущений лише професійно підготовлений авторизований персонал! Цей персонал повинен пройти спеціальний інструктаж відносно можливих ризиків.



1. Виконайте такі дії:

Матеріал
Кабель живлення 2167712 (110 V GB) 2167713 (230 V GB) 2167714 (230 V CH) 2167715 (120 V US) 2167717 (230 V CN) 2188143 (230 V EU)
Викрутка (Combi Torx)

- Від'єднайте свердлильний інструмент від мережі живлення.
- Викрутіть із корпусу кріпильні гвинти та відкрийте корпус, знявши одну з його частин.
- Викрутіть гвинти, які утримують скобу, після чого зніміть скобу.
- Послабте два гвинти, розташовані на корпусі реле, та дістаньте з нього два кабелі.

i Вказівка
До корпусу реле (залежно від версії моделі) приєднаний конденсатор.

- Від'єднайте кабель живлення.
- Просмикніть новий кабель живлення через захист кабелю.

8. Уставте дроти кабелю у блок живлення та знову затягніть два гвинти на корпусі реле.
 - ◀ Обидва дроти кабелю надійно закріплені у корпусі реле.
9. Уставте кабель у скобу.
10. Установіть верхню частину скоби на кабель та затягніть гвинти, які утримують скобу.

Технічні дані	
Обертний момент (Затискач)	1,35 Н·м ... 1,75 Н·м (1,00 ftlb, ... 1,29 ftlb)



Вказівка

Зверніть увагу: ізоляція кабелю повинна на 5 мм виступати з іншого боку скоби.

11. Уставте захист кабелю у заглиблення, передбачене для нього у корпусі.
12. Закрийте корпус, установивши на місце його частину, яка була знята раніше. Після цього закрутіть кріпильні гвинти.

Технічні дані	
Обертний момент (Корпус)	1,35 Н·м ... 1,75 Н·м (1,00 ftlb, ... 1,29 ftlb)

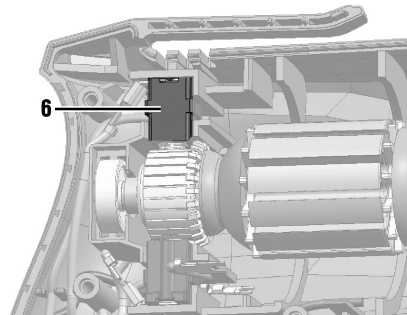
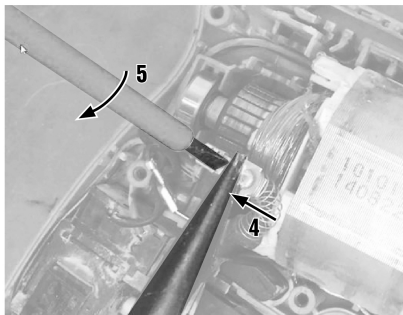
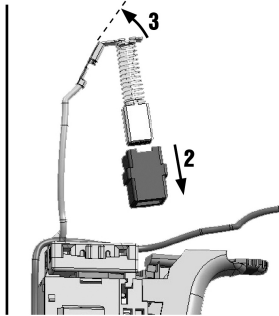
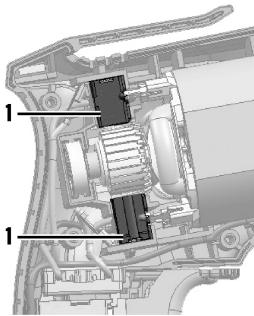
7.3 Заміна вугільних щіток



НЕБЕЗПЕКА

Ризик отримання травм! Небезпека враження електричним струмом.

- ▶ До обслуговування та ремонту інструмента може бути допущений лише професійно підготовлений авторизований персонал! Цей персонал повинен пройти спеціальний інструктаж відносно можливих ризиків.



1. Виконайте такі дії:

Матеріал
Вугільні щітки 2167718
Гострогубці
Викрутка (шліцьова)
Викрутка (Combi Torx)

2. Від'єднайте свердлильний інструмент від мережі живлення.

3. Викрутіть із корпусу кріпильні гвинти та відкрийте корпус, знявши одну з його частин.

4. Запам'ятайте, як укладені багатожильні кабелі та як розташовані вугільні щітки.

5. Дістаньте верхню вугільну щітку з гнізда.

6. Від'єднайте верхню вугільну щітку від оправи.

7. Випряміть штекерний з'єднувач.

8. Візьміться гострогубцями за штекерний з'єднувач нижньої вугільної щітки.

9. Уставте шліцьову викрутку між гострогубцями та кріпленням штекерного з'єднувача.

10. Вивільніть штекерний з'єднувач із кріплення, прокручуючи шліцьову викрутку.

11. Дістаньте нижню вугільну щітку.

12. Випряміть штекерний з'єднувач.

13. Приєднайте верхній штекерний з'єднувач до кріплення штекерного з'єднувача верхньої вугільної щітки.

14. Уставте верхню вугільну щітку в оправу.

15. Уставте верхню вугільну щітку у верхнє гніздо.

16. Приєднайте нижній штекерний з'єднувач до кріплення штекерного з'єднувача нижньої вугільної щітки.

17. Уставте нижню вугільну щітку у нижнє гніздо.



Вказівка

Слідкуйте за тим, щоб не защемити кабелі. Багатожильні кабелі та вугільні щітки слід розташувати так само, як вони були розташовані до початку процедури заміни.

18. Закрийте корпус, установивши на місце його частину, яка була знята раніше. Після цього закрутіть кріпильні гвинти.

Технічні дані

Обертювий момент (Корпус)

1,35 Н·м ... 1,75 Н·м
(1,00 ft·lb, ... 1,29 ft·lb)

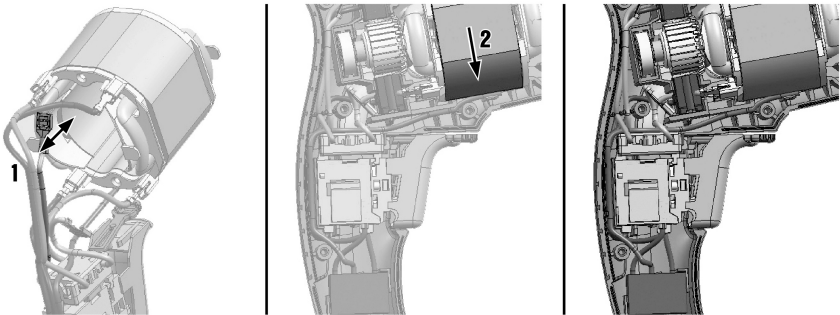
7.4 Заміна вимикача



НЕБЕЗПЕКА

Ризик отримання травм! Небезпека враження електричним струмом.

- ▶ До обслуговування та ремонту інструмента може бути допущений лише професійно підготовлений авторизований персонал! Цей персонал повинен пройти спеціальний інструктаж відносно можливих ризиків.



1. Виконайте такі дії:

Матеріал

Вимикач

2167705 (230 V)

2173716 (110 V)

2197122 (120~127 V)

Викрутка (шліцьова)

Викрутка (Combi Torx)

2. Від'єднайте свердлильний інструмент від мережі живлення.
3. Викрутіть із корпусу кріпильні гвинти та відкрийте корпус, знявши одну з його частин.
4. Запам'ятайте положення штекерних з'єднувачів.
5. Від'єднайте кабель живлення. → стор. 36
6. Зніміть вугільні щітки. → стор. 37
7. Вийміть двигун з корпусу.
8. За допомогою гострогубців від'єднайте від статора 4 штекерні з'єднувачі.
9. Приєднайте до статора 4 штекерні з'єднувачі нового вимикача.
10. Підключіть до статора кабель конденсатора (як показано на рисунку).
11. Установіть двигун та вимикач у корпус.
12. Уставте вугільні щітки.
13. Приєднайте кабель живлення.

14. Укладіть кабель таким чином, як показано на рисунку.

15. Закрийте корпус, установивши на місце його частину, яка була знята раніше. Після цього закрутіть кріпильні гвинти.

Технічні дані	
Обертівий момент (Корпус)	1,35 Н·м ... 1,75 Н·м (1,00 ftlb _f ... 1,29 ftlb _f)

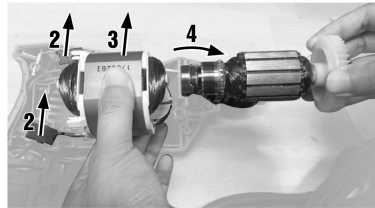
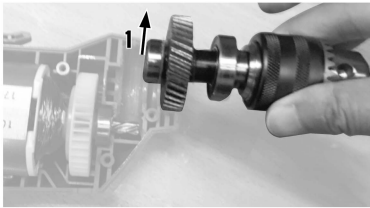
7.5 Заміна ротора



НЕБЕЗПЕКА

Ризик отримання травм! Небезпека враження електричним струмом.

- ▶ До обслуговування та ремонту інструмента може бути допущений лише професійно підготовлений авторизований персонал! Цей персонал повинен пройти спеціальний інструктаж відносно можливих ризиків.



1. Виконайте такі дії:

Матеріал
Ротор 2197108 (110 V) 2197109 (120-127 V) 2197120 (220-230 V) 2197121 (240 V)
Викрутка (шліцьова)
Викрутка (Combi Torx)

- Від'єднайте свердлильний інструмент від мережі живлення.
- Викрутіть із корпусу кріпильні гвинти та відкрийте корпус, знявши одну з його частин.
- Зніміть вугільні щітки. → стор. 37
- Вийміть затискний патрон із корпусу.
- Вийміть двигун із корпусу.
- Дістаньте ротор із двигуна та установіть на його місце новий ротор.
- Установіть двигун у корпус.
- Установіть затискний патрон у корпус.
- Уставте вугільні щітки.
- Закрийте корпус, установивши на місце його частину, яка була знята раніше. Після цього закрутіть кріпильні гвинти.

Технічні дані	
Обертівий момент (Корпус)	1,35 Н·м ... 1,75 Н·м (1,00 ftlb _f ... 1,29 ftlb _f)

8 Догляд і технічне обслуговування



ПОПЕРЕДЖЕННЯ

Небезпека ураження електричним струмом! Здійснення догляду та технічного обслуговування інструмента, що підключений до мережі живлення, може призвести до тяжких травм та опіків.

- ▶ Завжди діставайте штекер кабелю живлення з розетки, перш ніж розпочинати роботи з догляду та технічного обслуговування!

Догляд

- Обережно видаляйте накопичення бруду.
- Обережно прочищайте вентиляційні прорізи сухою щіткою.
- Протирайте корпус вологою тканиною. Забороняється використовувати миючі засоби, що містять силікон, оскільки вони можуть пошкодити пластмасові деталі.

Технічне обслуговування



ПОПЕРЕДЖЕННЯ


Небезпека ураження електричним струмом! Проведення неавторизованого ремонту електричних частин інструмента може призвести до отримання тяжких травм та опіків.

- ▶ До ремонту електричної частини інструмента залучайте лише фахівця-електрика.
- Регулярно перевіряйте усі зовнішні частини на наявність пошкоджень, а органи керування інструмента – на предмет справної роботи.
- Якщо Ви виявили пошкодження та/або порушення функціональності електроінструмента, припиніть його використання. Негайно зверніться до сервісної служби компанії **Hilti** для здійснення ремонту.
- Після проведення догляду і технічного обслуговування встановіть усі захисні пристрої та перевірте їхню роботу.

9 Транспортування та зберігання

- Забороняється транспортувати цей електроінструмент з установленим змінним робочим інструментом.
- На час зберігання електроінструмента слід завжди виймати штепсельну вилку із розетки.
- Зберігайте інструмент у сухому місці, недоступному для дітей та сторонніх осіб.
- Перш ніж використовувати інструмент після довготривалого зберігання або дальніх перевезень, його слід перевірити на наявність пошкоджень.

10 Утилізація

 Більшість матеріалів, з яких виготовлено інструменти компанії **Hilti**, придатні для вторинної переробки. Передумовою для їхньої вторинної переробки є належне сортування відходів за типом матеріалу. У багатьох країнах світу компанія **Hilti** приймає старі інструменти для їхньої утилізації. Щоб отримати додаткову інформацію з цього питання, звертайтеся до сервісної служби компанії **Hilti** або до свого торгового консультанта.



- ▶ Не викидайте електроінструменти у баки для побутового сміття!

11 China RoHS (директива КНР про обмеження використання небезпечних речовин)

Щоб переглянути таблицю з інформацією про небезпечні речовини, будь ласка, перейдіть за таким посиланням: qr.hilti.com/r7490568.

Посилання на таблицю з інформацією про речовини, включені до директиви RoHS, наведено наприкінці цього документа у вигляді QR-коду.

12 Гарантійні зобов'язання виробника

- ▶ Із питань гарантії, будь ласка, звертайтеся до Вашого місцевого партнера компанії **Hilti**.

1 Құжаттама бойынша деректер

1.1 Бұл құжаттама туралы

- Іске қосу алдында осы құжаттаманы оқып шығыңыз. Бұл қауіпсіз жұмыс пен ақаусыз басқару үшін алғышарт болып табылады.
- Осы құжаттамадағы және өнімдегі қауіпсіздік және ескерту нұсқауларын орындаңыз.
- Пайдалану бойынша нұсқаулықты әрдайым өнімде сақтаңыз және оны басқа тұлғаларға тек осы нұсқаулықпен бірге тапсырыңыз.

1.2 Шартты белгілердің анықтамасы

1.2.1 Ескерту

Ескертулер өнімді қолдану барысындағы қауіптер туралы ескертеді. Төмендегі сигналдық сөздер белгімен бірге қолданылады:



ҚАУІП! Ауыр жарақаттарға әкелуі немесе өмірге қауіп төндіруі мүмкін тікелей қауіпті жағдайдың жалпы белгіленуі.



ЕСКЕРТУ! Ауыр жарақаттарға әкелуі немесе өмірге қауіп төндіруі мүмкін ықтимал қауіпті жағдайдың жалпы белгіленуі.



САҚ БОЛЫҢЫЗ! Жеңіл жарақаттарға немесе аспаптың зақымдалуына әкелуі мүмкін ықтимал қауіпті жағдайдың жалпы белгіленуі

1.2.2 Құжаттамадағы белгілер

Бұл құжаттамада төмендегі белгілер пайдаланылады:



Пайдаланар алдында пайдалану бойынша нұсқаулықты оқу қажет



Аспапты пайдалану бойынша нұсқаулар және басқа пайдалы ақпарат



Қайта пайдалануға болатын материалдармен жұмыс істеу



Электр аспаптарды тұрмыстық қоқысқа тастамаңыз

1.2.3 Суреттердегі белгілер

Суреттерде төмендегі белгілер қолданылады:

2

Бұл сандар осы нұсқаулықтың басындағы әр суретке сәйкес келеді

3

Нөмірлеу суреттегі жұмыс қадамдарының реттілігін білдіреді және мәтіндегі жұмыс қадамдарынан өзгешеленуі мүмкін

11

Позиция нөмірлері **Шолу** суретінде қолданылады және **Өнімге шолу** мақаласындағы шартты белгілердің нөмірлеріне сілтейді



Аталмыш белгілер өнімді қолдану барысында айрықша назарыңызды аудартады.



Сымсыз дерек тасымалы

1.3 Өнімдегі белгілер

1.3.1 Өнімдегі белгілер

Өнімде төмендегі белгілер пайдаланылады:



II қорғау класы (қос изоляция)

1.4 Өнім туралы ақпарат

Hiiti өнімдері кәсіби пайдаланушыларға арналған және тек өкілетті, білікті қызметкерлермен пайдаланылуы, күтілуі және техникалық қызмет көрсетуі тиіс. Қызметкерлер қауіпсіздік техникасы

бойынша арнайы нұсқау алуы керек. Өнім мен оның қосалқы құралдарын басқа мақсатта қолдану немесе олардың оқытылмаған қызметкерлердің тарапынан пайдаланылуы қауіпті.

Түр сипаттамасы мен сериялық нөмір фирмалық тақтайшада берілген.

- ▶ Сериялық нөмірді төмендегі кестеге көшіріп қойыңыз. Өнім туралы мәліметтерді өкілдігімізге немесе қызмет көрсету бөлімімізге сұрау беру арқылы алуға болады.

Өнім туралы мәліметтер

Дрель	UD 4
Буын:	01
Сериялық нөмір:	

1.5 Сәйкестілік декларациясы

Біз осы нұсқаулықта сипатталған өнімнің қолданыстағы директивалар мен нормативтерге сәйкес келетінін толық жауапкершілікпен жариялаймыз. Сәйкестілік декларациясының суреті осы құжаттаманың соңында орналасқан.

Техникалық құжаттама мына жерде сақталған:

Hilti Entwicklungsgesellschaft mbH | Zulassung Geräte | Hiltistraße 6 | 86916 Kaufering, DE

2 Қауіпсіздік

2.1 Электр құралдары үшін қауіпсіздік техникасы бойынша жалпы нұсқаулар

⚠ ЕСКЕРТУ Бұл электр құралына арналған барлық қауіпсіздік нұсқауларын, нұсқауларды, суреттерді және техникалық деректерді оқып шығыңыз. Төменде берілген нұсқауларды орындамау электр тогының соғуына, өртке өкелуі мүмкін және/немесе ауыр жарақаттарды тудыруы мүмкін.

Қауіпсіздік техникасы бойынша барлық нұсқауларды және нұсқауларды келесі пайдаланушы үшін сақтаңыз.

Қауіпсіздік нұсқауларында қолданылатын «электр құралы» термині электр желісінен (желілік кабельмен) және аккумулятордан (желілік кабельсіз) жұмыс істейтін электр құралын білдіреді.

Жұмыс орны

- ▶ **Жұмыс орнындағы тазалықты және тәртіпті қадағалаңыз.** Жұмыс орнындағы ретсіздік және нашар жарық сәтсіз жағдайларға өкелуі мүмкін.
- ▶ **Жанғыш сұйықтықтар, газдар немесе шаң бар жарылыс қаупі бар аймақта электр құралды қолданбаңыз.** Жұмыс кезінде электр құралдар ұшқындар шығады және ұшқындар шаңды немесе буларды тұтандыруы мүмкін.
- ▶ **Балалардың және бөгде адамдардың жұмыс істеп тұрған электр құралға жақындауына рұқсат етпеңіз.** Жұмысқа көңіл бөлмегенде, электр құралын бақылау жоғалуы мүмкін.

Электр қауіпсіздігі

- ▶ **Электр құралдың байланыс ашасы электр желісінің розеткасына сай болуы керек. Айырдың конструкциясын өзгертеңіз. Қорғауыш жерге қосуы бар электр құралдарымен бірге өтпелі айырларды қолданбаңыз.** Түпнұсқа айырлар және оларға сай розеткалар электр тогының соғу қаупін азайтады.
- ▶ **Жерге қосылған беттерге, мысалы, құбырларға, жылыту құралдарына, пештерге (плиталарға) және тоңазытқыштарға тікелей тиюді болдырмаңыз.** Жерге қосылған заттарға тигенде электр тогының соғуының үлкен қаупі туындайды.
- ▶ **Электр құралдарды жаңбырдан немесе ылғал әсерінен сақтаңыз.** Электр құралға су тиюі нәтижесінде электр тогының соғу қаупі артады.
- ▶ **Байланыс сымын басқа мақсатта қолданбаңыз, мысалы, электр құралды тасымалдау, оны іліп қою немесе электр желісінің розеткасынан айырды шығару үшін. Байланыс сымын жылу, май, өткір жиектер немесе жылжымалы бөліктерден алшақ ұстаңыз.** Байланыс сымының зақымдалуы немесе қабаттасуы нәтижесінде электр тогының соғу қаупі артады.
- ▶ **Егер жұмыстар ашық ауада орындалса, тек бөлмелерден тыс қолдануға рұқсат етілген ұзартқыш сымдарды пайдаланыңыз.** Бөлмелерден тыс қолдануға жарамды ұзартқыш сымды пайдалану электр тогының соғу қаупін азайтады.
- ▶ **Егер электр құралмен ылғалдылық жағдайларында жұмыс істеуді болдырмау мүмкін емес болса, шығып кететін токтан қорғау автоматын қолданыңыз.** Шығып кететін токтан қорғау автоматын қолдану электр тогының соғу қаупін азайтады.

Адамдардың қауіпсіздігі

- ▶ **Ұқыпты болыңыз, әрекеттеріңізге көңіл бөліңіз және электр құралмен жұмыс істеуге дұрыс қараңыз.** Шаршаған кезде немесе есірткі, алкоголь не дәрі қабылдаған соң электр құралды қолданбаңыз. Электр құралды қолданған кездегі зейінсіздік ауыр жарақаттарға апарып соғуы мүмкін.
- ▶ **Жеке қорғану құралдарын пайдаланыңыз және әрқашан міндетті түрде қорғауыш көзілдірікті киіңіз.** Электр құралының түріне және пайдалану жағдайларына байланысты жеке қорғану құралдарын, мысалы, шаңнан қорғайтын респираторды, сырғымайтын аяқ киімді, қорғауыш шлемді, естуді қорғау құралдарын қолдану жарақаттану қаупін азайтады.
- ▶ **Электр құралының кездейсоқ қосылуын болдырмаңыз.** Электр қуатына қосу және/немесе аккумуляторды қою, көтеру немесе тасымалдау алдында электр құрал өшірілгеніне көз жеткізіңіз. Электр құралды тасымалдағанда саусақтар сөндіргіште болатын немесе қосылған электр құрал желіге қосылатын жағдайлар сәтсіз жағдайларға әкелуі мүмкін.
- ▶ **Электр құралды қосу алдында реттеуші құрылғыларды және гайка кілтін алыңыз.** Электр құралдың айналатын бөлігіндегі аспап немесе кілт жарақаттарға әкелуі мүмкін.
- ▶ **Жұмыс кезінде ыңғайсыз қалыптарға тұрмауға тырысыңыз. Үнемі тұрақты күйді және тепе-теңдікті сақтаңыз.** Бұл күтпеген жағдайларда электр құралды жақсырақ басқаруға мүмкіндік береді.
- ▶ **Арнайы киімді киіңіз. Өте бос киімді немесе әшекейлерді кимеңіз. Шашты, киімді және қолғапты электр құралдың айналатын түйіндерінен сақтаңыз.** Бос киім, әшекейлер және ұзын шаш оларға ілінуі мүмкін.
- ▶ **Егер шаңды жинау және кетіруге арналған құрылғыларды қосу қарастырылған болса, олар қосылғанына және мақсаты бойынша қолданылып жатқанына көз жеткізіңіз.** Шаңды кетіру модулін пайдалану шаңның зиянды әсерін азайтады.
- ▶ **Өз мойныңызға қате қауіпсіздік сезімін алмаңыз және электр құралға арналған қауіпсіздік ережелерін бұзбаңыз, тіпті электр құралды жиі қолданатын тәжірибелі пайдаланушы болсаңыз.** Мұқиятсыз қолдану бірнеше секундта ауыр жарақаттануға апарып соғуы мүмкін.

Электр құралын қолдану және оған қызмет көрсету

- ▶ **Аспапқа шамадан тыс жүктеме түсуін болдырмаңыз. Нақ осы жұмысқа арналған электр құралын қолданыңыз.** Бұл ережені сақтау көрсетілген қуат диапазонында жоғарырақ жұмыс сапасын және қауіпсіздігін қамтамасыз етеді.
- ▶ **Сөндіргіші бұзылған электр құралын қолданбаңыз.** Қосу немесе өшіру қиын электр құралы қауіпті және оны жөндеу керек.
- ▶ **Электр құралын реттеуге, саймандарды ауыстыруға кірісу алдында немесе жұмыстағы үзіліс алдында розеткадан ашаны және/немесе электр құралының алмалы-салмалы аккумуляторды шығарыңыз.** Бұл сақтық шарасы электр құралының кездейсоқ қосылуын болдырмайды.
- ▶ **Қолданылмайтын электр құралдарын балалар жетпейтін жерде сақтаңыз. Аспаппен таныс емес немесе осы нұсқауларды оқып шықпаған адамдарға аспапты пайдалануға рұқсат бермеңіз.** Электр құралдары тәжірибесі жоқ пайдаланушылардың қолында қауіпті болады.
- ▶ **Электр құралдары мен керек-жарақтарға ұқыпты қараңыз. Айналмалы бөліктердің мүлтіксіз қызмет ететінін, олардың жүрісінің жеңілдігін, барлық бөліктердің тұтастығын және электр құралының жұмысына теріс әсер етуі мүмкін зақымдардың жоқтығын тексеріңіз. Аспаптың зақымдалған бөліктерін оны қолдану алдында жөндеуге өткізіңіз.** Электр құралына техникалық қызмет көрсету ережелерін сақтамау көп сәтсіз жағдайлардың себебі болып табылады.
- ▶ **Кескіш аспаптардың үшкір және таза болуын қадағалау керек.** Жұмыс күйінде сақталатын кескіш аспаптардың сыналануы сиректеу болады, оларды басқару жеңілдеу.
- ▶ **Электр құралын, саймандарды, көмекші құрылғыларды және т.б. нұсқауларға сай пайдаланыңыз.** Бұл кезде жұмыс жағдайларын және орындалатын жұмыстың сипатын ескеріңіз. Электр құралдарын басқа мақсаттарда қолдану қауіпті жағдайларға әкелуі мүмкін.
- ▶ **Тұтқыштар мен тұтқыш беттерін таза, құрғақ, май іздеріңіз ұстаңыз.** Сырғанақ тұтқыштар мен олардың беттері белгілі бір жағдайларда электр құралының қауіпсіз қолданылуы мен басқарылуына жол бермейді.

Қызмет көрсету

- ▶ **Электр құралын жөндеуді тек түпнұсқа қосалқы бөлшектерді қолданатын білікті қызметкерлерге сеніп тапсырыңыз.** Бұл электр құралын қауіпсіз күйде сақтауды қамтамасыз етеді.

2.2 Дрельдермен жұмыс істегендегі қауіпсіздік техникасы бойынша нұсқаулар

Барлық жұмыстарға арналған қауіпсіздік техникасы бойынша нұсқаулар

- ▶ **Соққымен бұрғылау кезінде қорғауыш құлаққапты киіңіз.** Шү әсерінің нәтижесінде есту қабілеті жоғалуы мүмкін.
- ▶ **Электр құралын пайдалану алдында жақсылап тіреп қойыңыз.** Аталмыш электр құралы жоғары айналу моментін түрлендіреді. Электр құралы пайдалану барысында берік тірелмеген жағдайда, бақылау мүмкіндігінен айырылып, жарақат алуыңыз мүмкін.
- ▶ **Алмалы-салмалы құрал немесе бұрандалар жасырын қуат сымдарымен немесе өзінің байланыс сымдарымен жанасу мүмкіндігі бар жұмыстарды орындап жатқан кезде электр құралын оқшауланған тұтқа беттерінен ұстаңыз.** Электр сымдарына тигенде аспаптың қорғалмаған металл бөліктері кернеу астында болады. Бұл электр тогының соғуына әкелуі мүмкін.

Ұзын бұрғы пайдаланылған кездегі қауіпсіздік техникасы бойынша нұсқаулар

- ▶ **Бұрғы үшін рұқсат етілген максималды айналу жиілігінен жоғары айналу жиілігімен еш жағдайда жұмыс істемеңіз.** Айналу жиілігі жоғары болған жағдайда бұрғы дайындамамен жанаспай еркін айналғаннан сәл қисайып кетуі және жарақаттануға апарып соғуы мүмкін.
- ▶ **Бұрғылау әрекетін әрдайым төмен айналу жиілігімен және бұрғы дайындамамен жанаспай тұрғанда ғана бастаңыз.** Айналу жиілігі жоғары болған жағдайда бұрғы дайындамамен жанаспай еркін айналғаннан сәл қисайып кетуі және жарақаттануға апарып соғуы мүмкін.
- ▶ **Шамадан артық қысым қолданбаңыз және тек қана бойлық бағытпен бұрғылаңыз.** Бұрғылар қисайып жарылуы мүмкін немесе бақылау мүмкіндігінен айырылып, жарақат алуыңыз мүмкін.

2.3 Қауіпсіздік техникасы бойынша қосымша нұсқаулар, гайка бұрауыш

Адамдардың қауіпсіздігі

- ▶ Өнімді тек техникалық мінсіз күйінде қолданыңыз.
- ▶ Аспапта ешқашан бейімдеу не өзгерту жұмыстарын орындамаңыз.
- ▶ Өрқашан аспапты екі қолмен тұтқыштарынан берік ұстаңыз. Тұтқышты құрғақ әрі таза күйінде ұстаңыз.
- ▶ Аспаптың айналатын бөлшектеріне тиемеңіз - жарақат алу қаупі бар!
- ▶ Аспапты қолданған кезде арнайы қорғаныс көзілдірігін, қорғаныс шлемін, құлаққап, қорғаныс қолғап пен жеңіл респиратор тағып жүріңіз.
- ▶ Құралды алмастырған кезде қорғаныс қолғаптарын да киіңіз. Алмалы-салмалы аспапқа тию кесіктерге және күйіктерге апарып соғуы мүмкін.
- ▶ Қорғауыш көзілдіріктерді пайдаланыңыз. Материалдың сынықтары денені және көзді жарақаттауы мүмкін.
- ▶ Жұмысты бастау алдында дайындама материалы бойынша пайда болатын шаңның қауіп класын анықтаңыз. Аспаппен жұмыс істеу үшін қорғаныс дәрежесі қолданыстағы шаңнан қорғау нормаларына сай құрылыс шаңсорғышын қолданыңыз. Құрамында қорғасын бар бояулар, ағаштың кейбір түрлері, бетон/кірпіш қалауы/кварц қамтитын жыныстар және минералдар мен металл сияқты материалдардан пайда болатын шаң денсаулық үшін зиянды болуы мүмкін.
- ▶ Жұмыс орнындағы ауа алмасуды жақсарту үшін әрекет етіңіз және қажетінше тиісті шаңға арналған респираторды тағыңыз. Мұндай шаңның бөлшектерімен дем алу немесе оған тию пайдаланушыларда немесе жанындағы адамдарда аллергиялық реакциялардың және/немесе дем алу жолдары ауруларының пайда болуына әкелуі мүмкін. Кейбір шаң түрлері (мысалы, өменді немесе шамшатты өңдеу кезінде пайда болатын шаң) канцерогенді деп есептеледі, әсіресе ағашты өңдеу үшін қолданылатын қосымша материалдармен (хром қышқылының тұзы, ағашты қорғау заттары) тіркесімде. Құрамында асбест бар материалдарды тек мамандар өңдеуі керек.
- ▶ Саусақтарыңыздың қандандыруын жақсарту үшін үзіліс жасап, жаттығулар жасаңыз. Ұзақ уақыт жұмыс істеген кезде, дірілдердің салдарынан саусақ, қол не буындардың қантамыры не жүйкесіне кері әсер тиюі мүмкін.

Электр қауіпсіздігі

- ▶ Жұмысты бастамас бұрын, жұмыс аймағындағы электрлік сымдар, газ бен су құбырлары жабық екендігіне көз жеткізіңіз. Ток сымна байқамастан зақым келтірген жағдайда, аспаптағы сыртта орналасқан металл бөлшектер ток соғу қаупін тудыруы мүмкін.
- ▶ Желілік кабель мен желілік ашаның күйін тексеріңіз. Желілік кабельді немесе ашаны тексеру үшін, электрші маманға барыңыз және қажет болса, ауыстырыңыз.

Электр құралмен дұрыс жұмыс істеу және оны дұрыс пайдалану

- ▶ Электр құралы блокталған кезде құралды бірден өшіріңіз. Аспап бүйірімен ауытқуы мүмкін.

- ▶ Электр құралын алып тастау алдында оның толығымен тоқтатылған күйге орнатылғанына дейін күтіңіз.

3 Сипаттама

3.1 Өнімге шолу 1

- | | |
|----------------------------------|---------------------------------------|
| ① Қысқыш патрон | ⑤ Желілік кабель |
| ② Белдікке ілуге арналған ілгек | ⑥ Негізгі сөндіргіш |
| ③ Тұтқыш | ⑦ Оңға/солға айналу ауыстырып-қосқышы |
| ④ Негізгі сөндіргіштің бекіткіші | |

3.2 Мақсатына сай қолдану

Сипатталған өнім электрлік дрель болып табылады. Ол болат, ағаш пен пластикте бұрғылауға және бұрандаларды бұрап енгізу және шығаруға арналған.

3.3 Жеткізілім жинағы

Дрель, пайдалану бойынша нұсқаулық.

Оған қоса, өніміңіз үшін рұқсат етілген жүйелік өнімді **Hilti Store** дүкенінде немесе келесі веб-сайтта табуға болады: www.hilti.group | АҚШ: www.hilti.com

4 Техникалық сипаттамалар

4.1 Дрель

Нұсқау

Номиналды кернеу, номиналды ток, жиілік және номиналды тұтынылатын қуат туралы ақпарат елге тән фирмалық тақтайшада берілген.

Генераторда немесе трансформаторда жұмыс істеген кезде, осы шығыс қуат аспаптың фирмалық тақтайшасында көрсетілген қуаттан екі есе жоғары болуы керек. Трансформатор немесе генератордың жұмыс кернеуі ердайым аспаптың номиналды тұтынылатын қуатының +5 % және -15 % аралығында болуы керек.

	UD 4
Салмағы	1,4 кг
Қорғау класы	II

4.1.1 EN 60745 стандарты бойынша шуыл туралы ақпарат және діріл мәні

Осы нұсқауларда көрсетілген дыбыс қысымы мен діріл деңгейі стандартты өлшеу әдісімен өлшенген және оны басқа электр құралдарымен салыстыру үшін пайдалануға болады. Сонымен бірге, ол экспозицияны алдын ала бағалау үшін жарайды. Берілген деректер электр құралдың негізгі жұмысын көрсетеді. Алайда, егер электр құралы басқа мақсаттарда, басқа жұмыс аспаптарымен қолданылса немесе оған қанағаттандырмайтын техникалық қызмет көрсетілсе, деректер өзгеше болуы мүмкін. Осының салдарынан аспаптың бүкіл жұмыс істеу кезеңінде экспозиция айтарлықтай артуы мүмкін. Экспозицияны дәл анықтау үшін аспап сөндірілген күйде немесе бос жұмыс істейтін уақыт аралықтарын да ескеру керек. Осының салдарынан аспаптың бүкіл жұмыс істеу кезеңінде экспозиция айтарлықтай азаюы мүмкін. Пайдаланушыны пайда болатын шуылдан және/немесе дірілден қорғау үшін қосымша сақтық шараларын қолданыңыз, мысалы: электр құралға және алмалы-салмалы аспаптарға техникалық қызмет көрсету, қолдардың жылуын сақтау, жұмыс процестерін дұрыс ұйымдастыру.

Шуыл туралы ақпарат

	UD 4
Дыбыс күшінің деңгейі	96,5 дБ
Дыбыс қысымының деңгейі	85,5 дБ
Дәлсіздік	3 дБ

Діріл туралы ақпарат

	UD 4
Бұрғылау (a_{сат})	3,5 м/с ²
Дәлсіздік (K)	1,5 м/с ²

4.1.2 Ұзартқыш кабельді қолдану



ЕСКЕРТУ

Зақымдалған кабельден қауіп бар! Егер жұмыс кезінде желілік немесе ұзартқыш кабель зақымдалса, оған тиюге тыйым салынады. Желілік кабельді розеткадан шығарыңыз.

- ▶ Аспаптың желілік кабелін тұрақты түрде тексеріңіз және зақымдалған кабельді ауыстыру үшін тәжірибелі электрші маманды шақырыңыз.

- Тек жұмыс аймағы үшін рұқсат етілген, көлденең қимасы жеткілікті ұзартқыш кабельдерді қолданыңыз. Өзге жағдайда аспапта қуаттың жоғалуы және кабель қызып кетуі мүмкін.
- Ұзартқыш кабельде зақымдардың бар-жоғын жүйелі түрде тексеріп тұрыңыз.
- Зақымдалған ұзартқыш кабельді ауыстыру керек.
- Ашық ауада жұмыс істегенде тек пайдалануға рұқсат етілген, сәйкес белгілеуі бар ұзартқыш кабельдерді қолданыңыз.

120 В желілік кернеуде ұсынылатын минималды көлденең қима және максималды кабель ұзындықтары

Кабель	AWG 16	AWG 14	AWG 12	AWG 10
Өткізгіштің көлденең қимасы	1,31 mm ²	2,08 mm ²	3,31 mm ²	5,26 mm ²
Өткізгіштің көлденең қимасы	2,58 kcmil	4,11 kcmil	6,53 kcmil	10,4 kcmil
Кабель ұзындығы	25 m	30 m	50 m	100 m
Кабель ұзындығы	75 ft	100 ft	150 ft	250 ft

5 Жұмысқа дайындық



АБАЙЛАҢЫЗ

Жарақат алу қаупі бар! Өнімнің кездейсоқ іске қосылуы.

- ▶ Аспап реттеулерін орындау немесе қосалқы бөлшектерді алмастыру алдында желілік ашаны тартып шығарыңыз.

Осы құжаттамадағы және өнімдегі қауіпсіздік және ескерту нұсқауларын орындаңыз.

5.1 Алмалы-салмалы құралды орнату 2



АБАЙЛАҢЫЗ

Жарақат алу қаупі бар! Өнімнің кездейсоқ іске қосылуы.

- ▶ Аспап реттеулерін орындау немесе қосалқы бөлшектерді алмастыру алдында желілік ашаны тартып шығарыңыз.

1. Тісті бұрғылау патронын кілт қабының көмегімен ашып қойыңыз.
2. Алмалы-салмалы құралды таза енгізу ұшымен тісті бұрғылау патронына салыңыз немесе алмалы-салмалы құралды жылдам қысқыш бұрғы патронынан шығарып алыңыз.
3. Тісті бұрғылау патронын қысқыш патронға арналған кілттің көмегімен жауып қойыңыз.
4. Қысқыш патронға арналған кілтті шығарып алып, оны кілт қабына енгізіңіз.

5.2 Алмалы-салмалы құралды бөлшектеу 3



АБАЙЛАҢЫЗ

Жарақат алу қаупі бар! Өнімнің кездейсоқ іске қосылуы.

- ▶ Аспап реттеулерін орындау немесе қосалқы бөлшектерді алмастыру алдында желілік ашаны тартып шығарыңыз.

1. Тісті бұрғылау патронын қысқыш патронға арналған кілттің көмегімен ашып қойыңыз.
2. Алмалы-салмалы құралды шығарыңыз.
3. Қысқыш патронға арналған кілтті алып тастап, қысқыш патронға арналған кілтті белдігіне бекітіңіз.

6 Жұмыс істеу



ЕСКЕРТУ

Зақымдалған кабельден қауіп бар! Егер жұмыс кезінде желілік немесе ұзартқыш кабель зақымдалса, оған тиюге тыйым салынады. Желілік кабельді розеткадан шығарыңыз.

- ▶ Аспаптың желілік кабелін тұрақты түрде тексеріңіз және зақымдалған кабельді ауыстыру үшін тәжірибелі электрші маманды шақырыңыз.

Ұзартқыш кабельдерді тұрақты түрде тексеріңіз және зақымдар бар болғанда оларды ауыстырыңыз.

6.1 Қосу

- ▶ Бұғаттаудан шығару түймесін басыңыз.



Нұсқау

Негізгі сөндіргіштің басылу тереңдігіне байланысты айналу жиілігін байсалды түрде максималды деңгейіне дейін реттеуге болады.

6.2 Өшіру

- ▶ Негізгі сөндіргішті жіберіңіз.

6.3 Үздіксіз жұмыс режимін қосу/өшіру



Нұсқау

Жұмыс кезінде негізгі сөндіргішті басылған күйде бекітуге болады.

1. Бұғаттаудан шығару түймесін басыңыз.
2. Тежегіш түймені үздіксіз жұмыс режимі үшін басыңыз.
 - ◀ Өнім енді үздіксіз жұмыс режимінде істеп тұр.
3. Үздіксіз жұмыс режимін өшіру үшін, негізгі сөндіргішті басыңыз.
4. Негізгі сөндіргішті жіберіңіз.
 - ◀ Өнім өшіп қалады.

6.4 Айналу бағыты

- ▶ Айналу бағытын орнатыңыз.
 - ◀ Ажыратқыш осы позицияда тіркеледі.

7 Жөндеу



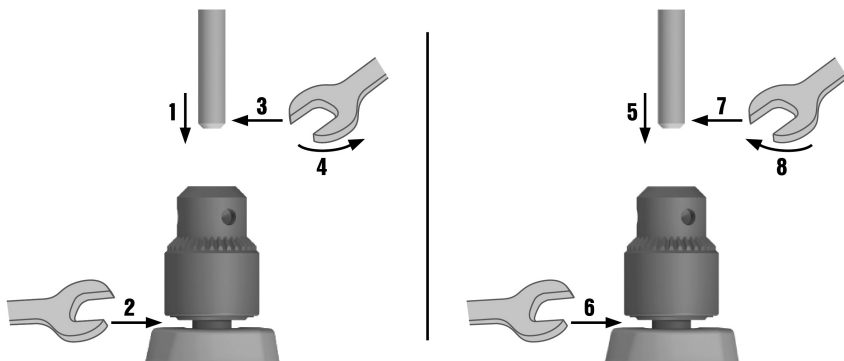
Нұсқау

Қызмет көрсету және жөндеу бойынша жұмыстарды тек қана білікті маман өткізуі тиіс!

Қате орындалған жөндеу елеулі жазатайым оқиғаларға немесе аспаптағы зақымдарға апарып соғуы мүмкін. Мұндай жағдайда өндіруші кепілдігінің күші жойылады.

Құрамдас бөліктер нұсқа бойынша өзгешеленуі мүмкін.

7.1 Құрал бекіткішін ауыстыру



1. Төмендегі материалдар қажет болады:

Материал
Құрал бекіткіші 2179576
Гайка кілті
Қысқыш патрон кілті 2167774

- Дрельді қуат желісінен ажыратыңыз.
- Қысқыш патронды қысқыш патрон кілтінің көмегімен ашып қойыңыз.
- Құрал бекіткішіндегі бұrandаны босату үшін, алты қырлы өзекті бұrandа бастиегіне қойыңыз.
- Қысқыш патронды қысқыш патрон кілтінің көмегімен жауып қойыңыз.
- Гайка кілтін құрал бекіткішінің астындағы шпindelь жетегіне енгізіңіз да, гайка кілтін нық ұстап тұрыңыз.
- Жарамды гайка кілтін алты қырлы өзекке енгізіңіз де, гайка кілтін сағат тілінің бағытына қарсы айналдырыңыз.
 - ◀ Құрал бекіткіші босатылады.
- Қысқыш патронды қысқыш патрон кілтінің көмегімен ашып қойыңыз.
- Алты қырлы өзекті шығарып алыңыз да, оны жаңа құрал бекіткішіндегі бұrandа бастиегіне енгізіңіз.
- Қысқыш патронды қысқыш патрон кілтінің көмегімен жауып қойыңыз.
- Гайка кілтін құрал бекіткішінің астындағы шпindelь жетегіне енгізіңіз да, гайка кілтін нық ұстап тұрыңыз.
- Жарамды гайка кілтін алты қырлы өзекке енгізіңіз де, гайка кілтін сағат тілінің бағытымен айналдырыңыз.

Техникалық сипаттамалар	
Айналу моменті (Шпindelь)	11 Н·м ... 18 Н·м (8 ftlb _t ... 13 ftlb _t)

- Қысқыш патронды қысқыш патрон кілтінің көмегімен ашып қойыңыз.
- Бұrandаны құрал бекіткішіне бұrap бекітіңіз.

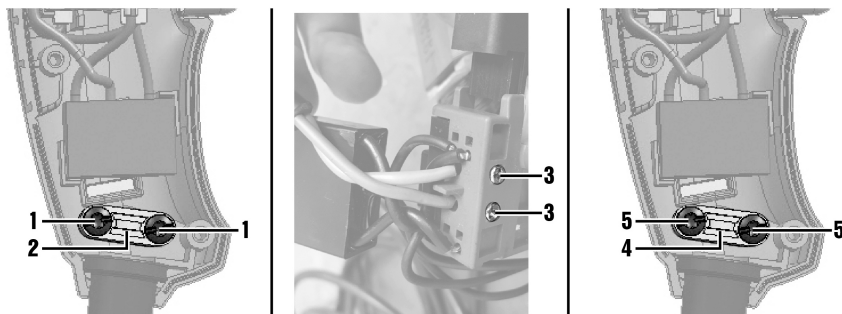
Техникалық сипаттамалар	
Айналу моменті (Құрал бекіткіші төсемесінің бұrandасы)	8 Н·м ... 13 Н·м (6 ftlb _t ... 10 ftlb _t)

7.2 Желілік кабельді ауыстыру

⚠ ҚАУІПТІ

Жарақат алу қаупі бар! Ток соғу қаупі.

- ▶ Құрал тек өкілетті қызметкерлермен ғана пайдаланылуы, күтілуі және жөнделуі мүмкін! Қызметкерлер қауіпсіздік техникасы бойынша арнайы нұсқау алуы тиіс.



1. Төмендегі материалдар қажет болады:

Материал

Желілік кабель
2167712 (110 V GB)
2167713 (230 V GB)
2167714 (230 V CH)
2167715 (120 V US)
2167717 (230 V CN)
2188143 (230 V EU)

Бұрауыш (Combi Torx)

2. Дрельді қуат желісінен ажыратыңыз.
3. Корпус бұрандаларын босатыңыз да, корпус қаптамасын алып тастаңыз.
4. Қысқыш бұрандаларын босатыңыз да, қысқышты алып тастаңыз.
5. Қосқыш элементтегі қос бұранданы кабельдердің екеуі де қосқыш элементтен тартып шығарылатындай етіп босатыңыз.

i Нұсқау

Қосқыш элементке нұсқаға қарай конденсатор жалғанады.

6. Желілік кабельді алып тастаңыз.
7. Жаңа желілік кабельді кабель қорғанысы арқылы жылжытыңыз.
8. Кабель тармадарын қуат блогына жалғаңыз да, қосқыш элементтегі қос бұранданы қайтадан бұрап бекітіңіз.
 - ◀ Кабель тармадарының екеуі де қосқыш элементке берік орнатылады.
9. Кабельді қысқышқа енгізіңіз.
10. Қысқыштың жоғарғы бөлігін кабельге орнатып, қысқыш бұрандаларын бұрап бекітіңіз.

Техникалық сипаттамалар

Айналу моменті (Қысқыш)

1,35 Н·м ... 1,75 Н·м
(1,00 ftlb, ... 1,29 ftlb)

i Нұсқау

Қысқыш астында 5 мм кабель оқшаулағышы бар болғанына көз жеткізіңіз.

11. Кабель қорғанысын корпустағы арнайы науаға салыңыз.

12. Корпус қаптамасын қайта орнатыңыз да, корпус бұрандаларын бұрап бекітіңіз.

Техникалық сипаттамалар	
Айналу моменті (Корпус)	1,35 Н·м ... 1,75 Н·м (1,00 ftlb, ... 1,29 ftlb)

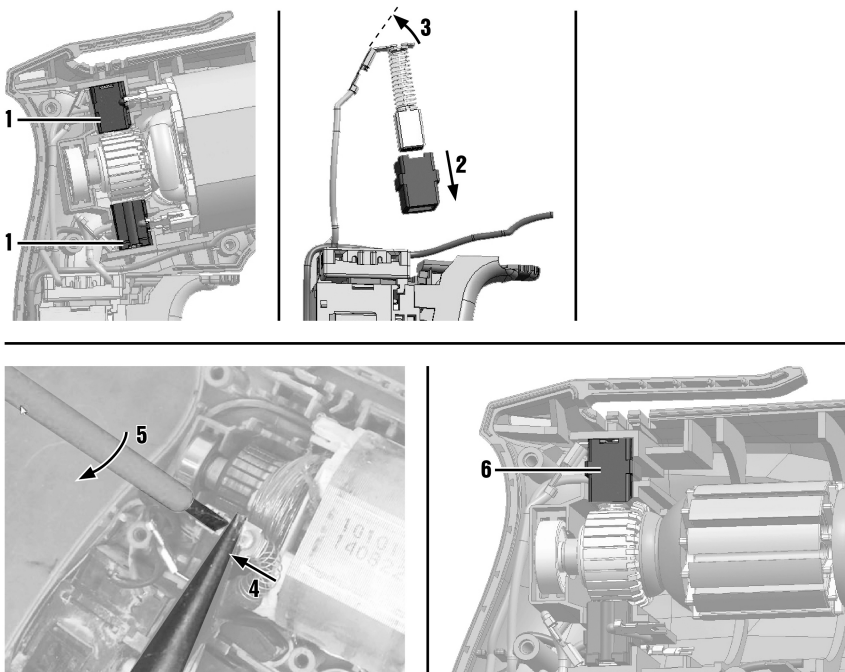
7.3 Көмір қылшақтарын ауыстыру



ҚАУІПТІ

Жарақат алу қаупі бар! Ток соғу қаупі.

- Құрал тек өкілетті қызметкерлермен ғана пайдаланылуы, күтілуі және жөнделуі мүмкін! Қызметкерлер қауіпсіздік техникасы бойынша арнайы нұсқау алуы тиіс.



1. Төмендегі материалдар қажет болады:

Материал
Көмір қылшақтары 2167718
Қысқаш
Бұрауыш (саңылау)
Бұрауыш (Combi Torx)

- Дрельді қуат желісінен ажыратыңыз.
- Корпус бұрандаларын босатып, корпус қаптамасын алып тастаңыз.
- Сымдар мен көмір қылшағының қалай орнатылғанына назар аударыңыз.
- Жоғарғы көмір қылшағын қаптамадан шығарып алыңыз.
- Жоғарғы көмір қылшағын жиектемеден тартып шығарыңыз.

7. Электрлік жалғағышты түзетіңіз.
8. Астыңғы көмір қылшағының электрлік жалғағышын қысқашпен ұстап алыңыз.
9. Бұрауышты (саңылау) қысқаш пен электрлік жалғағыш кірісінің арасында ұстап тұрыңыз.
10. Бұрауышты (саңылау) айналдыру арқылы электрлік жалғағышты электрлік жалғағыш кірісінен шығарыңыз.
11. Астыңғы көмір қылшағын алып тастаңыз.
12. Электрлік жалғағышты түзетіңіз.
13. Жоғарғы электрлік жалғағышты жоғарғы көмір қылшағының электрлік жалғағыш кірісіне жалғаңыз.
14. Жоғарғы көмір қылшағын жиектемеге кіргізіңіз.
15. Жоғарғы көмір қылшағын жоғарғы қаптамаға салыңыз.
16. Астыңғы электрлік жалғағышты астыңғы көмір қылшағының электрлік жалғағыш кірісіне жалғаңыз.
17. Астыңғы көмір қылшағын астыңғы қаптамаға салыңыз.



Нұсқау

Кабельдердің қысылып қалмағанына көз жеткізіңіз. Көмір қылшақтары мен сымдар ауыстыру алдындағыдай қайта орнатылуы керек.

18. Корпус қаптамасын қайта орнатыңыз да, корпус бұрандаларын бұрап бекітіңіз.

Техникалық сипаттамалар	
Айналу моменті (Корпус)	1,35 Н·м ... 1,75 Н·м (1,00 ftlb, ... 1,29 ftlb)

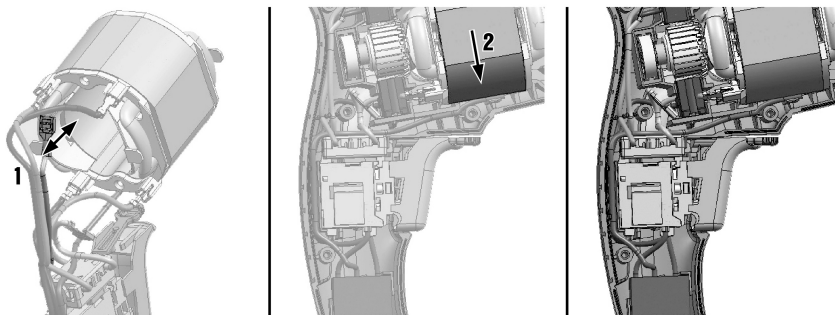
7.4 Негізгі сөндіргішті ауыстыру



ҚАУІПТІ

Жарақат алу қаупі бар! Ток соғу қаупі.

- Құрал тек өкілетті қызметкерлермен ғана пайдаланылуы, күтілуі және жөнделуі мүмкін! Қызметкерлер қауіпсіздік техникасы бойынша арнайы нұсқау алуы тиіс.



1. Төмендегі материалдар қажет болады:

Материал
Негізгі сөндіргіш 2167705 (230 V) 2173716 (110 V) 2197122 (120~127 V)
Бұрауыш (саңылау)
Бұрауыш (Combi Torx)

2. Дрельді қуат желісінен ажыратыңыз.
3. Корпус бұрандаларын босатыңыз да, корпус қаптамасын алып тастаңыз.
4. Істікшелі ағытпалардың позициясына назар аударыңыз.

5. Желілік кабельді алып тастаңыз. → Бет 50
6. Көмір қылшақтарын алып тастаңыз. → Бет 51
7. Қозғалтқышты корпус қаптамасынан шығарыңыз.
8. Қысқаш көмегімен статордағы 4 істікшелі ағытпаны босатыңыз.
9. Жаңа негізгі сәндіргіштің 4 істікшелі ағытпасын статорға жалғаңыз.
10. Конденсатордың кабелін статорға жалғаңыз (суретті қараңыз).
11. Қозғалтқыш пен негізгі сәндіргішті корпус қаптамасында орналастырыңыз.
12. Көмір қылшақтарын орнатыңыз.
13. Желілік кабельді орнатыңыз.
14. Кабельді суретте көрсетілгендей салыңыз.
15. Корпус қаптамасын қайта орнатыңыз да, корпус бұрандаларын бұрал бекітіңіз.

Техникалық сипаттамалар

Айналу моменті (Корпус)

1,35 Н·м ... 1,75 Н·м
(1,00 ftlb_f ... 1,29 ftlb_f)

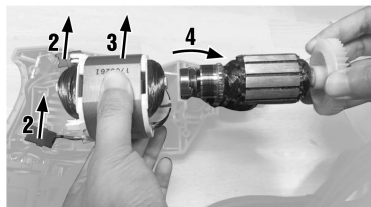
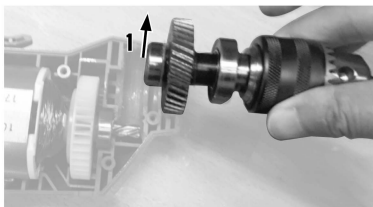
7.5 Роторды ауыстыру



ҚАУІПТІ

Жарақат алу қаупі бар! Ток соғу қаупі.

- ▶ Құрал тек өкілетті қызметкерлермен ғана пайдаланылуы, күтілуі және жөнделуі мүмкін! Қызметкерлер қауіпсіздік техникасы бойынша арнайы нұсқау алуы тиіс.



1. Төмендегі материалдар қажет болады:

Материал

Ротор
2197108 (110 V)
2197109 (120-127 V)
2197120 (220-230 V)
2197121 (240 V)

Бұрауыш (саңылау)

Бұрауыш (Combi Torx)

2. Дрельді қуат желісінен ажыратыңыз.
3. Корпус бұрандаларын босатып, корпус қаптамасын алып тастаңыз.
4. Көмір қылшақтарын алып тастаңыз. → Бет 51
5. Корпус қаптамасынан құрал бекіткішін шығарып алыңыз.
6. Корпус қаптамасынан қозғалтқышты шығарып алыңыз.
7. Қозғалтқыштан роторды шығарып алып, жаңа роторды орнатыңыз.
8. Қозғалтқышты корпус қаптамасына орнатыңыз.
9. Құрал бекіткішін корпус қаптамасына орнатыңыз.

10. Көмір қылшақтарын орнатыңыз.

11. Корпус қаптамасын қайта орнатыңыз да, корпус бұрандаларын бұрап бекітіңіз.

Техникалық сипаттамалар	
Айналу моменті (Корпус)	1,35 Н·м ... 1,75 Н·м (1,00 ftlb _i ... 1,29 ftlb _i)

8 Күту және техникалық қызмет көрсету



ЕСКЕРТУ

Ток соғу қаупі! Желілік аша енгізіліп тұрған кезде күтім және техникалық қызмет көрсету ауыр жарақаттарға және өртке апарып соғуы мүмкін.

- ▶ Кез келген күтім және техникалық қызмет көрсету жұмысын орындамас бұрын желілік ашаны әрдайым тартып шығарыңыз!

Аспапты күту

- Қатты жабысқан кірді мұқият кетіріңіз.
- Желдету ойықтарын құрғақ қылшақпен жайлап тазалаңыз.
- Корпусты тек сәл суланған шүберекпен тазалаңыз. Ешқандай силикон қамтитын күтім құралдарын пайдаланбаңыз, өйткені олар пластмасса бөлшектерін зақымдауы мүмкін.

Техникалық қызмет көрсету



ЕСКЕРТУ

Ток соғу қаупі! Электрлік құрамдас бөлшектерді қате жөндеу ауыр жарақаттану мен өртке апарып соғуы мүмкін.


- ▶ Аспаптың электр бөлігін жөндеуді тек маман-электрикке тапсырыңыз.

- Барлық көзге көрінетін бөлшектерде зақымдардың бар-жоғын және басқару элементтерінің ақаусыз жұмысын жиі тексеріп тұрыңыз.
- Зақымдалған және/немесе ақаулы электрлік аспапты қолданбаңыз. Бірден **Hilti** қызмет көрсету орталығына жөндетіңіз.
- Күтім және техникалық қызмет көрсету жұмыстарынан кейін барлық қорғауш құрылғыларды орнатып, жұмысын тексеріңіз.

9 Тасымалдау және сақтау

- Электр аспапты енгізілген құралымен бірге тасымалдамаңыз.
- Электр аспапты әрқашан ажыратылған ашасымен бірге сақтаңыз.
- Аспапты құрғақ күйінде және балалар мен рұқсаты жоқ адамдардың қолы жетпейтін жерде сақтаңыз.
- Электр аспапты ұзақ уақыт тасымалдаған не сақтаған соң, оны пайдалану алдында зақымдардың бар-жоғын тексеріңіз.

10 Көдеге жарату

 **Hilti** аспаптары қайта өңдеу үшін жарамды көптеген материалдардың санын қамтиды. Көдеге жарату алдында материалдарды мұқият сұрыптау керек. Көптеген елдерде **Hilti** компаниясы ескі аспабыңызды қайта өңдеу үшін қайта қабылдайды. **Hilti** қызмет көрсету орталығынан немесе дилеріңізден сұраңыз.



- ▶ Электр құралдарды үй қоқысымен бірге тастамаңыз!

11 Қытайдың RoHS директивасы (зиянды заттектердің пайдаланылуын шектеу ережесі)

Төмендегі сілтеме бойынша зиянды заттектердің кестесі келтірілген: qr.hilti.com/r7490568.

RoHS кестесінің сілтемесі осы құжаттаманың соңында QR коды ретінде берілген.

12 Өндіруші кепілдігі

- ▶ Кепілдік шарттары туралы сұрақтарыңыз болса, жергілікті **Hilti** серіктесіне хабарласыңыз.

1 文件相關資訊




1.1 關於此文件

- 初次操作或使用前，請先詳讀此文件。本文件包含安全前提、疑難排解處理和產品使用。
- 請遵守本文件中與產品上的安全說明和警告。
- 操作說明應與產品一起保管，產品交予他人時必須連同操作說明一起轉交。

1.2 符號的說明





1.2.1 警告

警告您在操作或使用本產品時可能發生之危險。下列標示和符號會搭配使用：

	危險！請小心會造成嚴重傷亡的立即性危險。
	警告！此標語警示會造成嚴重傷害甚至致死危險的潛在威脅。
	小心！請小心會造成輕微受傷或對裝置及其他財產造成損害的潛在危險情況






1.2.2 文件中的符號

本文件中採用以下符號：

	使用前請閱讀操作手冊
	使用操作說明與其他資訊
	處理可回收的材料
	不可將電子設備當作家庭廢棄物處置

1.2.3 圖解中的符號

圖解中採用了以下符號：

	號碼對應操作說明的開始處的圖解
	編號代表圖解中的操作步驟順序，可能與內文中的步驟有所不同
	項目參考編號用於總覽圖解，並請參閱產品總覽章節中使用的編號
	本符號是為了讓您在操作本產品時可以注意某些重點。
	無線資料傳輸

1.3 產品上的符號

1.3.1 產品上的符號

產品上採用下列符號：

	防護等級II（雙重絕緣）
---	--------------

1.4 產品資訊

HiTi 產品係供專業人士使用。僅能由經過授權與訓練的人員進行操作、維護及保養。務必將可能發生的特定危險告知該人員。若因未經訓練人員操作錯誤或未依照其原本的用途操作，則本產品和它的輔助工具設備有可能會發生危險。

類型名稱和序號都標註於額定銘牌上。

- ▶ 在下方表格中填入序號。與Hilti維修中心或當地Hilti機關聯絡查詢產品相關事宜時，我們需要您提供產品詳細資訊。

產品資訊

鑽頭	UD 4
產品代別：	01
機具序號：	

1.5 符合聲明

基於我們唯一的責任，本公司在此聲明本產品符合適用的指示或標準。本文件結尾處有符合聲明之副本。技術文件已歸檔並存放在：

Hilti Entwicklungsgesellschaft mbH | Tool Certification | Hiltistrasse 6 | 86916 Kaufering, Germany

2 安全性

2.1 一般電動機具安全警告

⚠ 警告 請詳閱本電動機具提供的所有安全警告、指示、圖解和說明。未能遵守以下說明可能會造成電擊事故、火災和 / 或嚴重的傷害。

妥善保存所有警示及說明，以供將來參考。

注意事項中的「機具」係指使用電源（有線）或電池（無線）的電動機具。

工作區域安全

- ▶ 請保持工作區的清潔與採光充足。雜亂而昏暗的工作區會導致意外發生。
- ▶ 請勿在可能容易發生爆炸的場所操作本機具（例如有可燃性液體、氣體或粉塵存在的地方）。機具產生的火花可能會引燃塵埃或煙霧。
- ▶ 操作機具時，請與兒童及旁人保持距離。注意力不集中時容易發生失控的情形。

電力安全

- ▶ 機具插頭與插座須能互相搭配。勿以任何方式改裝插頭。勿將任何變壓器插頭和與地面接觸（接地）的電動機具搭配使用。未經修改的插頭以及搭配的電源插座可減少發生電擊的危險。
- ▶ 避免讓身體接觸到如管線、散熱器、爐灶與冰箱等與土地或地表接觸之物品。如果您的身體接觸到地表或地面，將增加電擊的危險。
- ▶ 請勿將電動工具暴露在雨或潮濕的環境中。若水氣進入機具中將增加觸電的危險。
- ▶ 勿濫用電纜線。勿以電纜線吊掛、拖拉機具或拔下機具插頭。電纜線應避開熱氣、油、銳利的邊緣或移動性零件。電纜線損壞或纏繞會增加發生電擊事故的危險。
- ▶ 於室外操作機具時，須使用適用於戶外的延長線。使用適合戶外使用的延長線可降低觸電的風險。
- ▶ 如果無法避免在潮濕的地點操作機具，請使用漏電斷路器（RCD）保護電源供應器。使用漏電斷路器（RCD）可降低電擊的風險。

人員安全

- ▶ 操作機具時，請提高警覺，注意進行中的工作並善用常識。感到疲勞或受到藥物、酒精或治療的影響時勿使用機具。操作此機具時一不留神，便可能導致嚴重人身傷害。
- ▶ 穿戴個人防護裝備。請隨時穿戴眼罩。適當使用防塵面罩、防滑鞋、安全帽及耳罩等安全防護配備可減少人員的傷害。
- ▶ 避免不經意的啟動。在接上電源或電池組、抬起或攜帶機具之前，務必確認開關處於關閉的位置。攜帶機具時，如果把手指放在開關上，或在開關開啟時，將機具插上插頭容易發生意外。
- ▶ 啟動機具前，應將所有調整鑰匙或扳手移開。將扳手或鑰匙留在機具的旋轉零件中可能會造成人員傷害。
- ▶ 勿將手伸出過遠。隨時站穩並維持平衡。這可讓您在意外情況發生時，對機具有較好的控制。
- ▶ 穿著適當服裝。請勿穿著寬鬆的衣服或佩戴珠寶。頭髮、衣服與手套應遠離移動性零件。移動性零件可能會夾到寬鬆的衣服、珠寶或長髮。
- ▶ 如果機具可連接吸塵裝置與集塵設備，請連接並適當使用這些設備。使用集塵裝置可降低與粉塵有關的危險。
- ▶ 請勿因頻繁而習慣使用機具便疏於遵守或忽略機具的安全規範。草率使用可能在轉眼間便造成嚴重的傷害。

機具使用與保養

- ▶ 不可強制使用機具。依據用途使用正確的機具。根據設計的速率使用機具可更快速安全地完成工作。
- ▶ 若開關無法啟動或關閉電動工具時，請勿使用電動工具。任何無法以開關控制的機具都很危險且需要維修。
- ▶ 在進行任何調整、更換配件、或貯放電動機具前，請先將插頭拔離插座和 / 或將電池組自電動機具卸下（如可拆卸）。此預防安全措施可降低機具意外啟動的風險。

- ▶ 將閒置的機具貯放在兒童拿不到的地方，勿讓不熟悉或未詳閱本說明的人員操作本機具。機具在未經訓練的使用者手中是很危險的。
- ▶ 維護機具與配件。請檢查移動性零件有無偏移或黏合的情形、零件有無破損，以及任何會影響機具運轉的狀況。如果機具受損，請先維修後再使用。很多意外便是由維護不當的機具造成的。
- ▶ 保持切割機具的銳利與清潔。具銳利切割邊緣的切割機具如果得到適當的維護，便較不會發生黏合的現象，且較容易控制。
- ▶ 遵守本指示說明使用機具、配件和工具組等，並考量工作條件與待進行的工作。將機具用在原目的之外之用途可能會造成危險。
- ▶ 保持握把與其表面的乾燥、清潔且不要讓上面出現油漬。握把及其表面濕滑會在意外情況中造成機具無法安全掌控。

維修服務

- ▶ 請將機具交給合格的維修人員進行維修，並使用相同的替代零件。這可確保維護機具安全。

2.2 動力電鑽的安全操作說明

各種工作的安全操作說明

- ▶ 鎚擊鑽孔時請戴上耳罩。暴露於噪音環境下會導致聽力受損。
- ▶ 請務必牢固支撐本機具以準備使用。本機具會產生高扭力。若在操作時未確實牢固支撐機具，機具失控可能會導致人員受傷。
- ▶ 在配件工具或螺絲可能會接觸到隱藏配線或其自身電線的環境中執行工作時，請以僅接觸絕緣握把表面的方式握攬機具。若配件工具與帶電線路接觸，機具的金屬零件也會通電，而造成觸電的情況。

使用長鑽頭的安全操作說明

- ▶ 在任何情況下均不得以高於鑽頭最大允許轉速的速度操作機具。在未與工件接觸的情況下，若鑽頭以高於其最大允許轉速的速度旋轉，可能會發生輕微的曲度，這可能會導致人員受傷。
- ▶ 請務必讓鑽頭在接觸工件的狀態下以低速開始鑽孔。在未與工件接觸的情況下，若鑽頭以高於其最大允許轉速的速度旋轉，可能會發生輕微的曲度，這可能會導致人員受傷。
- ▶ 請勿對鑽頭施加過大的壓力，僅能沿著鑽頭的縱向軸施加壓力。鑽頭可能會彎曲並隨後破裂或導致失控，進而造成人員傷害。

2.3 扭力螺紋固定釘的其他安全操作說明

人員安全

- ▶ 請在本產品能正常運轉時使用。
- ▶ 勿嘗試以任何方式改裝機具。
- ▶ 以雙手確實握住機具的握把。請保持機具握把清潔和乾燥。
- ▶ 不可碰觸旋轉中零件 - 有受傷的危險！
- ▶ 使用機具時，請穿戴適當的護目鏡、耳罩、防護手套以及輕型呼吸保護器。
- ▶ 更換機具時亦請穿戴防護手套。觸摸配件工具會造成割傷或灼傷。
- ▶ 穿戴護目鏡。飛散的碎片會傷到人體或眼睛。
- ▶ 在開始作業前，請先針對作業時所產生粉塵之危險等級進行確認。使用符合當地粉塵防治條例，且經法定認為保護等級之工業用吸塵器。含鉛塗料、某些木材及含石英之混凝土 / 石材 / 石頭、礦物質或金屬等材料的粉塵均對身體有害。
- ▶ 請確保工作場所所有良好通風，必要時，請依會產生的粉塵類型穿戴適合的口罩。操作人員與旁觀者接觸或吸入粉塵可能會引起過敏並 / 或造成呼吸系統或其他疾病。像是橡木與山毛櫸木材的粉塵已列為致癌物質，尤其是當它們使用調濕塗料（鉻酸鹽、木材防腐劑）時。含石棉之材料僅可交由專業人員處理。
- ▶ 請適時休息，並活動您的手指以促進血液循環。長時間暴露在震動下會造成手指、手掌和手腕的血管和神經系統失調。

電力安全

- ▶ 開始工作前，請先檢查工作區域是否有隱藏的電纜線、瓦斯管或水管。若不小心損害電纜線時，機具外部的金屬零件可能會導電而造成電擊的危險。
- ▶ 檢查電源線與插頭的狀況。請將電源線或插頭交由受過訓練的電力專員檢查，必要時予以更換。

機具使用與保養

- ▶ 若配件工具卡住時請立即關閉機具。機具可能會絞到線材。
- ▶ 請等候機具完全停止再將其放下。

3 說明

3.1 產品總覽

- | | |
|---------------|-------------|
| ① 夾頭 | ⑤ 電源線 |
| ② 安全皮帶掛鉤 | ⑥ 控制開關 |
| ③ 握把 | ⑦ 正轉 / 逆轉開關 |
| ④ 保持操作狀態的鎖定開關 | |

3.2 用途

本文所述產品為電鑽。本機具適用於鋼材、木材及塑膠之鑽孔以及螺絲之裝卸。

3.3 配備及數量

電鑽、操作說明。

關於本產品，您可於當地 **Hilti Store** 或網站查詢其他經過認證可搭配使用的系統產品：www.hilti.group | 美國：www.hilti.com

4 技術資料

4.1 鑽頭



注意

關於額定電壓、頻率、電流和輸入功率，請參閱機具的特定國家型號識別牌。

如果要使用發電機或變壓器供電，必須能提供兩倍於機具額定銘板上標示的額定值電力。發電機或變壓器的操作電壓必須隨時介於機具額定電壓+5%和-15%以內。

	UD 4
重量	1.4 kg
防護等級	II

4.1.1 噪音資訊和震動值 (依據EN 60745)

操作說明中所提供之音壓和震動值已參照標準測量，並可用來比較不同機具之噪音。它們也可作為噪音量的初步評估。提供之資料表示機具主要應用時之數值。若機具應用於不同之用途，搭配不同的配件工具或在保養不良的情況下，其數據會有所不同。在作業過程中，這會大幅提高其噪音量。當機具關閉，或開啟但未進行任何作業時也應列入考量，才能準確評估噪音量。在作業過程中，這會大幅降低其噪音量。確認其他安全措施，以保護操作員不受噪音和 / 或震動影響，例如：保養機具與其配件工具、操作前保持雙手溫暖、作業型式之安排等。

噪音資訊

	UD 4
聲功率級數	96.5 dB
音壓級數	85.5 dB
無法判定	3 dB

關於震動的資訊

	UD 4
鑽孔 (a_{h1})	3.5 m/s ²
無法判定 (K)	1.5 m/s ²

4.1.2 延長線的使用



警告

受損的電源線會造成危險！當機具運轉時，如果發現電源線或延長線受損，請勿碰觸。請將電源線插頭自插座拔除。

- ▶ 請定期檢查設備的電源線，並在發現損壞時，請合格的電力專員更換。

- 僅可使用經認可的延長線類型，且必須使用口徑（截面積）足夠的導線。否則機具的效率會下降且延長線會過熱。
- 定期檢查延長線是否損壞。
- 並更換受損的延長線。
- 戶外工作時，僅可使用經認可並標記適合戶外使用的延長線。

針對120V電源電壓建議之最小導體截面積與最大電源線長度

電纜線	AWG 16	AWG 14	AWG 12	AWG 10
電纜線導體截面積	1,31 mm ²	2,08 mm ²	3,31 mm ²	5,26 mm ²
電纜線導體截面積	2,58 kcmil	4,11 kcmil	6,53 kcmil	10,4 kcmil
電纜線長度	25 m	30 m	50 m	100 m
電纜線長度	75 ft	100 ft	150 ft	250 ft

5 工作場所的準備工作



注意

有受傷的危險！產品意外啟動。

- ▶ 在調整機具或變更配件前，請先拔除電源線。

請遵守本文件中與產品上的安全說明和警告。

5.1 安裝配件工具 2



注意

有受傷的危險！產品意外啟動。

- ▶ 在調整機具或變更配件前，請先拔除電源線。

1. 使用夾頭扳手打開鍵齒夾頭。
2. 請檢查配件接頭是否保持乾淨並稍微上潤滑油脂，然後將它置入鍵齒夾頭中，或是將配件從鍵齒夾頭拉出。
3. 使用夾頭扳手關閉鍵齒夾頭。
4. 將扳手由夾頭取下，並插入夾頭扳手座中。

5.2 卸下配件工具 3



注意

有受傷的危險！產品意外啟動。

- ▶ 在調整機具或變更配件前，請先拔除電源線。

1. 使用夾頭扳手打開夾頭。
2. 卸下配件工具。
3. 取下夾頭扳手並將夾頭扳手固定到扳手上。

6 工作類型



警告

受損的電源線會造成危險！當機具運轉時，如果發現電源線或延長線受損，請勿碰觸。請將電源線插頭自插座拔除。

- ▶ 請定期檢查設備的電源線，並在發現損壞時，請合格的電力專員更換。

定期檢查延長線，並在發現損壞時予以更換。

6.1 開啟開關

- ▶ 按下控制開關。



注意

依據按下控制開關的深度，可以控制旋轉速度無段增加到最大速度。

6.2 關閉開關

- ▶ 鬆開控制開關。

6.3 開啟 / 停用持續運轉



注意

操作機具時，可將控制開關鎖定在「開啟」的位置。

1. 按下控制開關。
2. 按下鎖定開關以持續運轉。
 - ◀ 產品現在處於持續運轉模式。
3. 若要關閉持續運轉模式，請按下控制開關。
4. 鬆開控制開關。
 - ◀ 產品即關閉。

6.4 旋轉方向

- ▶ 設定旋轉方向。
 - ◀ 選擇開關會咬合在這個位置。

7 維修

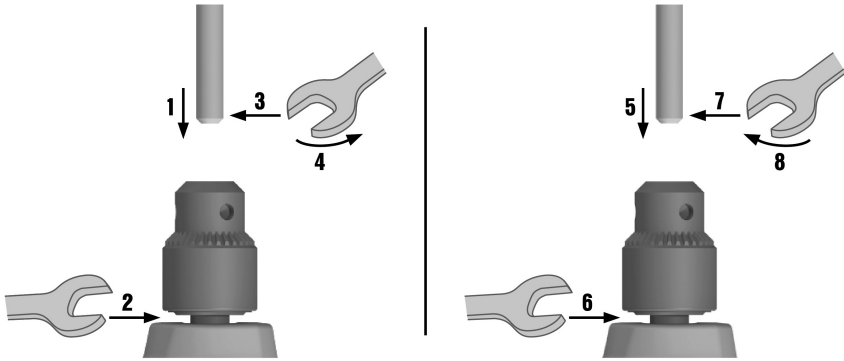


注意

僅可交由受過訓練且合格的專業人員進行保養及維修工作！

粗劣的維修工作可能導致裝置發生嚴重的意外事故或損壞。這種情況將使製造商的保固失效。
零件依產品版本而定。

7.1 更換夾頭



1. 您需要下列配件：

材料
夾頭 2179576
六角開口扳手
夾頭扳手 2167774

2. 將電鑽拔離電源供應。
3. 使用夾頭扳手打開夾頭。
4. 若要鬆開夾頭中的螺絲，請將六角鋼材桿插入夾頭螺絲的頭部。
5. 使用夾頭扳手關閉夾頭。
6. 使用六角開口扳手夾緊夾頭下的起子軸，並牢牢握住扳手。
7. 使用正確大小的六角開口扳手夾緊六角鋼材桿，並以逆時針方向轉動扳手。
◀ 夾頭即鬆開。
8. 使用夾頭扳手打開夾頭。
9. 從夾頭上取下六角桿，並將其插入新夾頭中的螺絲頭部。
10. 使用夾頭扳手關閉夾頭。
11. 使用六角開口扳手夾緊夾頭下的起子軸，並牢牢握住扳手。
12. 使用正確大小的六角開口扳手夾緊六角鋼材桿，並以順時針方向轉動扳手。

技術資料	
扭矩 (主軸)	11 Nm ... 18 Nm (8 ftlb _r ... 13 ftlb _r)

13. 使用夾頭扳手打開夾頭。
14. 鎖緊夾頭中的螺絲。

技術資料	
扭矩 (夾頭螺絲)	8 Nm ... 13 Nm (6 ftlb _r ... 10 ftlb _r)

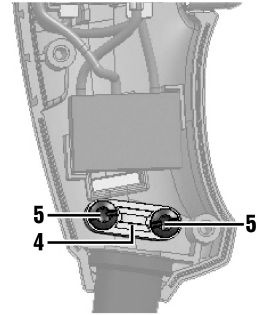
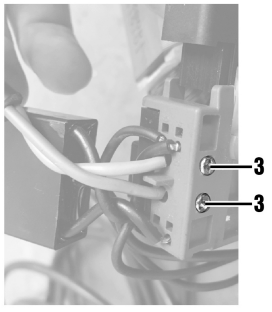
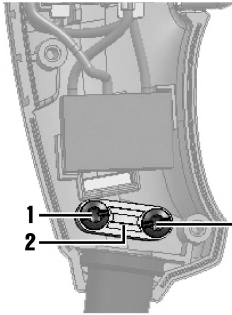
7.2 更換電源線



危險

有受傷的危險！有電擊危險。

- ▶ 此機具僅能由受過訓練且經授權的人員進行操作、維修和修理。必須告知上述人員任何可能遭遇到的特殊危險。



1. 您將需要下列配件：

材料

電源線
 2167712 (110 V GB)
 2167713 (230 V GB)
 2167714 (230 V CH)
 2167715 (120 V US)
 2167717 (230 V CN)
 2188143 (230 V EU)
 螺絲起子 (兩用星型)

2. 將電鑽拔離電源供應。
3. 鬆開機殼螺絲並卸下機殼。
4. 鬆開固定夾螺絲並卸下固定夾。
5. 鬆開開關裝置上的兩個螺絲，讓兩個導體可以從開關裝置拉出。



注意

開關裝置可能連接有電容，視產品版本而定。

6. 卸下電源線。
7. 將新的電源線推入，穿過保護套環。
8. 將可彎曲導體的端部插入開關裝置，並鎖緊開關裝置上的兩個螺絲。
 - ◀ 兩個可彎曲導體均應確實固定在開關裝置內。
9. 將電源線放入固定夾。
10. 將固定夾的上部固定在電源線上，然後鎖緊固定夾螺絲。

技術資料

扭矩 (固定夾)

1.35 Nm ... 1.75 Nm
 (1.00 ftlb_f ... 1.29 ftlb_f)



注意

請確保電源線上的絕緣層超過固定夾5mm。

11. 將保護套環安裝在機殼中提供的固定溝槽中。
12. 將機殼放置定位，然後插入並鎖緊機殼螺絲。

技術資料

扭矩 (機殼)

1.35 Nm ... 1.75 Nm
 (1.00 ftlb_f ... 1.29 ftlb_f)

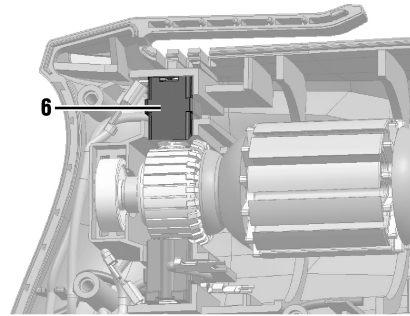
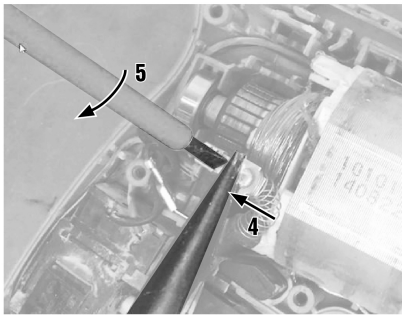
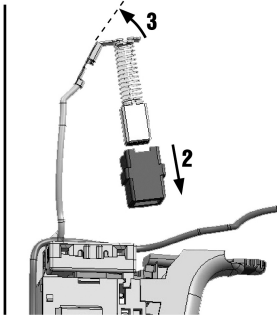
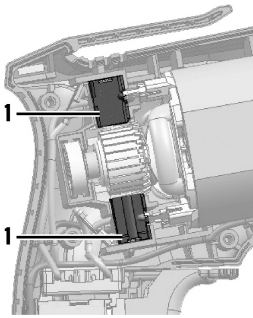
7.3 更換碳刷



危險

有受傷的危險！有電擊危險。

- ▶ 此機具僅能由受過訓練且經授權的人員進行操作、維修和修理。必須告知上述人員任何可能遭遇到的特殊危險。



1. 您將需要下列配件：

材料
碳刷
2167718
尖嘴鉗
螺絲起子（一字型）
螺絲起子（兩用星型）

2. 將電鑽拔離電源供應。
3. 鬆開機殼螺絲並卸下機具外殼。
4. 請注意電線和碳刷的安裝方式。
5. 將上碳刷從機罩卸下。
6. 將上碳刷拔離插座。
7. 伸直連接頭。
8. 使用尖嘴鉗夾緊下碳刷的連接頭。
9. 將一字型螺絲起子的尖端插入尖嘴鉗和連接頭插座之間。
10. 旋轉一字型螺絲起子，將連接頭從連接頭插座中鬆開。
11. 卸下下碳刷。
12. 伸直連接頭。

13. 將上連接頭連接到上碳刷的連接頭插座。
14. 將上碳刷推入插座。
15. 將上碳刷置入上機罩。
16. 將下連接頭連接到下碳刷的連接頭插座。
17. 將下碳刷置入下機罩。



注意

請確定沒有電線卡住。碳刷和電線必須以與更換前完全一致的方式安裝。

18. 將機殼放置定位，然後插入並鎖緊機殼螺絲。

技術資料

扭矩 (機殼)

1.35 Nm ... 1.75 Nm
(1.00 ftlb_f ... 1.29 ftlb_f)

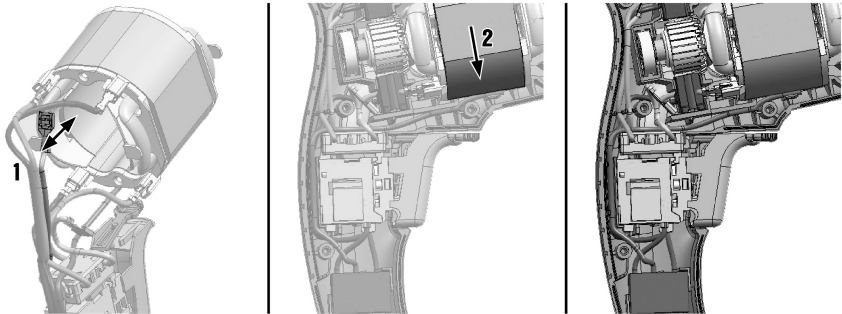
7.4 更換控制開關



危險

有受傷的危險！有電擊危險。

- ▶ 此機具僅能由受過訓練且經授權的人員進行操作、維修和修理。必須告知上述人員任何可能遭遇到的特殊危險。



1. 您將需要下列配件：

材料

控制開關

2167705 (230 V)

2173716 (110 V)

2197122 (120~127 V)

螺絲起子 (一字型)

螺絲起子 (兩用星型)

2. 將電鑽拔離電源供應。
3. 鬆開機殼螺絲並卸下機殼。
4. 請記下插頭連接的位置。
5. 卸下電源線。→ 頁次 62
6. 卸下碳刷。→ 頁次 64
7. 將馬達提出機殼。
8. 使用尖嘴鉗將4個連接頭與定子斷開。
9. 將新控制開關的4個連接頭連接至定子。
10. 將電纜從電容器連接到定子 (請參閱圖解)。
11. 將馬達和控制開關置於機殼中。
12. 插入碳刷。

13. 安裝電源線。
14. 定位電線，如圖解所示。
15. 將機殼放置定位，然後插入並鎖緊機殼螺絲。

技術資料	
扭矩 (機殼)	1.35 Nm ... 1.75 Nm (1.00 ftlb _f ... 1.29 ftlb _f)

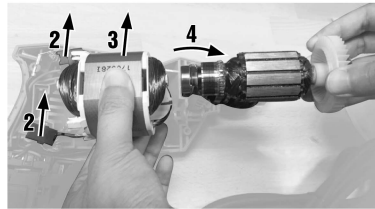
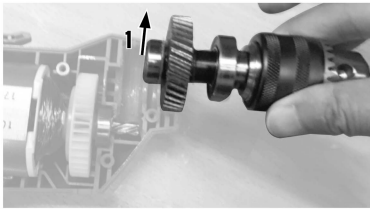
7.5 更換轉子



危險

有受傷的危險！有電擊危險。

- ▶ 此機具僅能由受過訓練且經授權的人員進行操作、維修和修理。必須告知上述人員任何可能遭遇到的特殊危險。



1. 您將需要下列配件：

材料
轉子 2197108 (110 V) 2197109 (120-127 V) 2197120 (220-230 V) 2197121 (240 V)
螺絲起子 (一字型)
螺絲起子 (兩用星型)

2. 將電鑽拔離電源供應。
3. 鬆開機殼螺絲並卸下機殼。
4. 卸下碳刷。→ 頁次 64
5. 將夾頭從外殼卸下。
6. 將馬達從外殼卸下。
7. 將轉子從馬達卸下，並換上新轉子。
8. 將馬達置入機殼。
9. 將夾頭置入機殼。
10. 插入碳刷。
11. 將機殼放置定位，然後插入並鎖緊機殼螺絲。

技術資料	
扭矩 (機殼)	1.35 Nm ... 1.75 Nm (1.00 ftlb _f ... 1.29 ftlb _f)

8 維護及保養



警告

電擊的風險！ 當電源線連接在插座上時進行維護及保養，將可能發生包括灼傷的重傷。

- ▶ 進行維護及保養前，請務必拔下電源線。

注意

- 仔細清除機具的頑強灰塵。
- 請使用乾燥的刷子小心清潔通風口。
- 僅能使用微濕軟布清潔外殼。勿使用含硅樹脂的清潔或亮光劑，因為可能會造成塑膠零件損壞。

維護



警告

電擊的風險！ 損壞的電子零件會造成嚴重的人員傷害及灼傷。


- ▶ 機具或設備電力部分的維修僅可交由訓練過的電力專員處理。

- 定期檢查外部零件和控制元件有無損壞跡象，並確認它們運作正常。
- 如果有損壞跡象或任何零件功能故障，請不要操作機具。請將受損產品立刻交付Hilti維修中心進行維修。
- 清潔及保養後，重新裝上所有防護套或保護裝置並檢查功能是否正常。

9 搬運和貯放

- 搬運電子機具時請勿安裝配件。
- 貯放電子機具或設備前請務必將電源線拔掉。
- 請將工具與設備貯放在乾燥且兒童或未授權的人員無法觸及的地點。
- 長時間搬運與貯放後請檢查電子機具或設備是否有損壞。

10 廢棄設備處置

 Hilti機具或設備所採用的材料大部分均可回收再利用。材料在回收前必須正確地分類。在許多國家中，您可以將舊機具及設備送回Hilti進行回收。詳情請洽Hilti維修中心，或當地Hilti代理商。



- ▶ 請勿將電子機具或設備與一般家用廢棄物一同回收！

11 中國RoHS (有害物質限制禁令)

按一下本連結可前往危險物質表：qr.hilti.com/r7490568。

您可在文件最後找到QR碼格式的RoHS表連結。

12 製造商保固

- ▶ 如果您對於保固條件有任何問題，請聯絡當地Hilti代理商。

1 文档信息




1.1 关于该文档

- 首次操作或使用前，请先阅读本文档。这是安全、无故障地操作和使用产品的前提条件。
- 请遵守本文档中以及产品上的安全说明和警告。
- 请务必将本操作说明与本产品保存在一起，确保将操作说明随产品一起交给他人。

1.2 符号说明





1.2.1 警告

警告是为了提醒您在处理或使用此产品时会发生的危险。以下信号词与符号结合使用：

	危险！用于提醒人们注意迫在眉睫的导致严重或致命伤害的危险。
	警告！用于提醒人们注意可能导致严重或致命伤害的潜在危险。
	小心！用于提醒人们注意可能导致轻度伤害、设备损坏或其它财产损失的潜在危险情况。






1.2.2 文档中的符号

本文档中使用下列符号：

	请在使用之前阅读操作说明
	使用说明和其他有用信息
	处理可回收材料
	不得将电气设备作为生活垃圾处置

1.2.3 图示中的符号

图示中使用了下列符号：

	2 这些编号指本操作说明开始处的相应图示。
	3 图示中的编号反映操作顺序，可能与文本中描述的步骤不同。
	11 概览图示中使用了项目参考号，该参考号指的是产品概览部分中使用的编号。
	！ 这些符号旨在提醒您在操作本产品时要特别注意的某些要点。
	无线数据传输

1.3 产品上的符号

1.3.1 产品上的符号

产品上使用下列符号：

	保护等级 II (双重绝缘)
---	----------------

1.4 产品信息

Hilti 产品仅供用于专业用途，并且只能由经过授权和培训的人员操作、维护和保养。该人员必须了解可能遇到的任何特殊危险。不按照既定用途使用或由未经培训的人员不正确地使用本产品及其辅助设备可能会带来危险。

型号名称和序列号印在铭牌上。

- ▶ 在下表中填写序列号。在联系 Hilti 维修中心或当地 Hilti 机构询问产品时，将要求您提供产品的详细信息。
产品信息

钻孔	UD 4
分代号：	01
序列号：	

1.5 符合性声明

按照我们单方面的责任，我们声明本产品符合下列适用指令和标准：一致性声明副本位于本文档结尾处。技术文档的存档和存放位置为：

Hilti Entwicklungsgesellschaft mbH | Tool Certification | Hiltistrasse 6 | 86916 Kaufering, Germany

2 安全

2.1 一般电动工具安全警告

⚠ 警告 请阅读本电动工具随附的所有安全警告、说明、图示和技术规范。不遵守以下说明会导致电击、火灾和/或严重伤害。

请保存所有安全警告和操作说明，以供将来参考。

在所有下列的警告中术语“电动工具”指市电驱动(有线)电动工具或电池驱动(无线)电动工具。

工作区域安全

- ▶ 保持工作区域整洁、照明良好。杂乱和黑暗的工作区域会引发事故。
- ▶ 不要在易爆环境中，例如存在易燃液体、气体或粉尘的环境中使用电动工具。电动工具会产生可以点燃这些灰尘或烟雾的火花。
- ▶ 在操作电动工具时，要让儿童和旁观者远离工作现场。万一分心，可能会使您失去对电动工具的控制。

电气安全

- ▶ 电动工具(设备)插头必须匹配电源插座。切勿以任何方式改动插头。对于接地的电动工具(设备)，不要使用任何适配器插头。使用未经改动的插头和匹配的电源插座可以大大减少电击危险。
- ▶ 避免人体接触接地表面，如管道、散热片和冰箱。如果您的身体接地，则会增加电击危险。
- ▶ 不要将电动工具暴露在雨水或潮湿环境中。电动工具进水将会增加电击危险。
- ▶ 不要滥用电缆。切勿使用电缆运送、拉动或拔出电动工具。保持电缆远离高温、油、锋利边缘或运动部件。电缆损坏或缠绕会增加电击危险。
- ▶ 当在户外操作电动工具时，应使用经认可适合户外操作的加长电缆。使用适合户外使用的电缆可减少电击危险。
- ▶ 如果在潮湿环境下操作电动工具是不可避免的，应使用剩余电流动作保护器(RCD)。使用 RCD 可减小电击危险。

人身安全

- ▶ 保持警觉，注意您正在执行的作业，并且在操作电动工具的过程中利用自己的常识判断。当您疲劳或受到药物、酒精或医疗影响时，请不要使用电动工具。操作电动工具时，瞬间的分心都可能导致严重的人身伤害。
- ▶ 使用个人防护装备。一定要戴上护目装置。安全装置，诸如适当条件下使用防尘面具、防滑安全鞋、安全帽、听力防护等装置能减少人身伤害。
- ▶ 防止电动工具意外启动。在连接至电源和/或电池组、拿起或搬运电动工具之前，应确保开关处于“关闭”位置。将手指放在开关上搬运电动工具或在开关处于“打开”位置时接通电源，都可能会导致事故发生。
- ▶ 在打开电动工具之前，必须拿掉任何调整键或扳手。让扳手或调整键留在电动工具的旋转部件上可能会导致人身伤害。
- ▶ 不要操之过急。应时刻保持正确的站姿和平衡。这在意外情况下能够更好地控制电动工具。
- ▶ 应确保正确着装。不要穿着松垮的衣服或佩戴首饰。让头发和衣服远离运动部件。松垮的衣服、首饰或长发会卡在运动部件中。
- ▶ 如果提供有用于连接除尘和集尘设施的装置，应确保将它们连接好并正确使用。使用除尘装置可以减少与灰尘相关的危险。
- ▶ 经常使用工具能令您获得较高的熟练度，但不能因此掉以轻心和忽视工具安全准则。一次不慎操作就会在瞬间导致重伤。

电动工具的使用和维护

- ▶ 不要强制使用电动工具。针对您的应用场合使用正确的电动工具。正确的电动工具在其额定设计值范围内将能够更好和更安全地工作。
- ▶ 如果通过开关不能使其打开和关闭，则请不要使用电动工具。任何不能通过开关进行控制的电动工具都是危险的，必须对其进行修理。

- ▶ 在进行任何调整、更换配件或存放电动工具之前，应从电源上断开插头和/或从电动工具上拆下电池组（若可拆卸）。此预防性安全措施可减少意外启动电动工具的危险。
- ▶ 将不用的电动工具存放在儿童拿不到的地方，并且不要让不熟悉电动工具或其操作说明的人员操作电动工具。未经培训的用户操作电动工具是危险的。
- ▶ 维护电动工具和配件。检查是否存在运动部件失调或卡滞、部件断裂和任何其它影响电动工具操作的情况。如果存在损坏，则在使用之前应修理电动工具。许多事故都是由于电动工具维护不良造成的。
- ▶ 保持切削工具锋利和清洁。带锋利切削刃的切削工具如果维护得当，很少会发生卡滞且更容易控制。
- ▶ 按照使用说明，考虑作业条件和进行的作业来使用电动工具、附件和工具的刀头等。将电动工具用于指定用途以外的场合会导致危险。
- ▶ 使手柄和抓握面保持干燥、清洁且没有油脂。如果手柄和抓握面打滑，将无法在意外情况下安全操作或控制本工具。

保养

将您的电动工具送交专业维修人员，使用同样的备件进行修理。这样才能确保维持电动工具（设备）的安全性。

2.2 电动钻孔安全说明

适用于所有作业类型的安全说明

- ▶ 在锤击钻孔时佩戴护耳装置。如果直接暴露在噪音中，则会导致听力受损。
- ▶ 准备使用前，始终牢牢支撑电动工具。该电动工具会生成高扭矩。如果在操作期间没有牢牢支撑电动工具，则会导致其失控，继而造成伤害事故。
- ▶ 如果在执行作业期间配件工具或螺钉可能接触到隐藏的线束或工具自带的电源线，则只能通过电动工具的绝缘抓握面手握电动工具。如果配套工具接触到带电电线，电动工具的金属部件也将带电，从而导致电击。

关于使用长钻头的安全说明

- ▶ 在任何情况下，使用电动工具作业时不得超出钻头的最大允许转速。在未与工件接触的情况下，如果钻头的旋转速度超出其最大允许转速，则会导致其轻微弯曲，继而造成伤害事故。
- ▶ 始终以低转速开始钻孔，并使钻头与工件接触。在未与工件接触的情况下，如果钻头的旋转速度超出其最大允许转速，则会导致其轻微弯曲，继而造成伤害事故。
- ▶ 不要向钻头施加过大的压力，仅可在钻头的纵向轴上施加压力。否则钻头会弯曲，继而断裂或导致失控和伤害事故。

2.3 关于扭转螺纹射钉的附加安全说明

人身安全

- ▶ 请仅在产品处于完美运转的状态下使用它。
- ▶ 不得以任何方式篡改或改动本工具。
- ▶ 应始终用双手通过提供的把手牢牢握住工具。保持把手清洁干燥。
- ▶ 请勿触摸旋转部件 - 人身伤害危险！
- ▶ 使用电动工具时，必须佩戴适当的护目镜、安全帽、护耳装置、防护手套和轻型呼吸防护装置。
- ▶ 更换工具时，也应戴上防护手套。触碰配套工具会导致割伤和烫伤。
- ▶ 请戴上护目装置。飞溅的碎片会导致身体和眼睛受伤。
- ▶ 在开始工作之前，应测定工作时会产生的粉尘的危险等级。使用具有官方认可防护等级的工业真空吸尘器，并遵守当地适用的粉尘防护规定。一些材料产生的粉尘（例如含铅油漆、某些类型的木材以及含有石英、矿物或金属的混凝土/砖石/石块）可能对人体健康有害。
- ▶ 确保工作场所通风良好，必要时佩戴适用于产生的粉尘类型的呼吸器。接触或吸入这些粉尘可能会导致操作者或旁观者出现过敏性反应和/或呼吸类疾病。某些种类的灰尘还属于致癌物质，例如橡木和山毛榉木灰尘，特别是在带木材调节添加剂（铬酸盐、木材防腐剂）时。仅允许专业人员处理包含石棉的材料。
- ▶ 抽出时间休息并做体育锻炼，改善手指的血液循环状况。工作期间长时间暴露于振动环境可能导致手指、手掌和手腕部位血管和神经系统紊乱。

电气安全

- ▶ 开始工作之前，检查工作区域是否有隐蔽的电缆或天然气和水管。如果您意外损坏了电缆，电动工具的外部金属部件可能带电，带来电击风险。
- ▶ 检查电源线和插头的状态。请经过培训的电气专业人员检查电源线或插头并在必要时更换。

电动工具的使用和维护

- ▶ 如果配套工具卡住，应立即关闭电动工具。电动工具可能会抱死。
- ▶ 直至电动工具完全停止才可将其放下。

3 说明

3.1 产品概述

- | | |
|---------------|-----------|
| ① 夹头 | ⑤ 电源线 |
| ② 带钩 | ⑥ 控制开关 |
| ③ 把手 | ⑦ 前进/后退开关 |
| ④ 用于持续操作的锁止按钮 | |

3.2 预期用途

所述产品为一种电钻。其设计用于在钢材、木材和塑料中钻孔以及驱动/拆卸螺丝。

3.3 供货提供的部件：

电钻、操作说明。

经认证可配合本产品使用的其它系统产品，可以通过您当地的 **Hilti Store** 购买或通过以下网址订购：www.hilti.group | 美国：www.hilti.com

4 技术数据

4.1 钻孔



注意

有关额定电压、频率、电流和输入功率的详细信息，请参见各国特定的电动工具铭牌。

通过发电机或变压器供电时，发电机或变压器的输出功率必须为电动工具铭牌上所示额定功率的两倍。变压器或发电机的工作电压必须始终保持在本电动工具额定电压的 +5% 和 -15% 范围内。

	UD 4
重量	1.4 kg
保护等级	II

4.1.1 噪音信息和振动值按照 EN 60745 标准

这些说明中给出的声压和振动值按照标准化测试的要求测得，可用于比较一种电动工具与另一种电动工具。它们还可用于初步评价受振动影响的程度。提供的数据代表本电动工具的主要应用。但是，如果将电动工具用于不同的应用、使用不同的配件工具或维护不良，则数据可能不同。这可能会显著增加操作者在整个工作期间受振动影响的程度。对受振动影响程度的准确估计还应考虑当关闭电动工具或当它运行但实际未进行工作时的工作情况。这可能会显著减小操作者在整个工作期间受振动影响的程度。此外，应确定附加安全措施，以保护操作者免受噪音和/或振动影响，例如：正确维护电动工具和配套工具、保持双手温暖、合理安排工作方式。

噪音信息

	UD 4
声 (功率) 级	96.5 dB
声压级	85.5 dB
不确定性	3 dB

振动信息

	UD 4
钻孔 (a_h)	3.5 m/s ²
不确定性 (K)	1.5 m/s ²

4.1.2 使用加长电缆



-警告-

损坏的电源线会构成危险！在工作时，不要接触已损坏的电源线或加长电缆。将电源线插头从电源插座上断开。

- ▶ 定期检查设备的电源线，如果发现损坏，则让有资格的专业人员进行更换。

- 请仅使用型号获准用于相关应用且导线尺寸 (横截面) 适当的加长电缆。否则可能会削弱电动工具性能, 且加长电缆可能会过热。
- 定期检查加长电缆是否损坏。
- 更换已损坏的加长电缆。
- 当在户外工作时, 应只能使用具有相应标记且准许户外使用的加长电缆。

120V 供电电压时推荐的最小导体横截面积和最大电源线长度

电源线	AWG 16	AWG 14	AWG 12	AWG 10
导体截面积	1,31 mm ²	2,08 mm ²	3,31 mm ²	5,26 mm ²
导体截面积	2,58 kcmil	4,11 kcmil	6,53 kcmil	10,4 kcmil
电源线长度	25 m	30 m	50 m	100 m
电源线长度	75 ft	100 ft	150 ft	250 ft

5 工作现场的准备工作

 -小心-
人身伤害的危险！产品意外启动。

- ▶ 对电动工具进行任何调节前或更换配件前, 先拔出电源线插头。

请遵守本文档中以及产品上的安全说明和警告。

5.1 安装配套工具 2

 -小心-
人身伤害的危险！产品意外启动。

- ▶ 对电动工具进行任何调节前或更换配件前, 先拔出电源线插头。

1. 使用夹头键打开带键夹头。
2. 检查并确认配套工具的连接端干净, 然后将其插入带键夹头, 或者相应地将配套工具拉出带键夹头。
3. 使用夹头键关闭带键夹头。
4. 从夹头上拆下键, 然后将其插入到夹头键座。


5.2 拆卸配套工具 3

 -小心-
人身伤害的危险！产品意外启动。

- ▶ 对电动工具进行任何调节前或更换配件前, 先拔出电源线插头。

1. 使用夹头键打开夹头。
2. 拆卸配套工具。
3. 拆下夹头键, 然后将夹头键固定到键带。

6 工作类型

 -警告-
损坏的电源线会构成危险！在工作时, 不要接触已损坏的电源线或加长电缆。将电源线插头从电源插座上断开。

- ▶ 定期检查设备的电源线, 如果发现损坏, 则让有资格的专业人员进行更换。

定期检查加长电缆, 如果发现损坏, 则更换它们。

6.1 打开

- ▶ 按下控制开关。



注意

通过调整按下控制开关的深度，可对速度进行无级控制，直至达到最大值。

6.2 关闭

- ▶ 释放控制开关。

6.3 激活/停用连续操作



注意

在工具操作过程中，可以将控制开关锁止在“On” (打开) 位置。

1. 按下控制开关。
2. 按下用于连续操作的锁止按钮。
 - ◀ 产品随即进入连续操作模式。
3. 要关闭连续操作模式，按下控制开关。
4. 释放控制开关。
 - ◀ 本产品关闭。

6.4 旋转方向

- ▶ 设置旋转方向。
 - ◀ 选择开关在该位置接合。

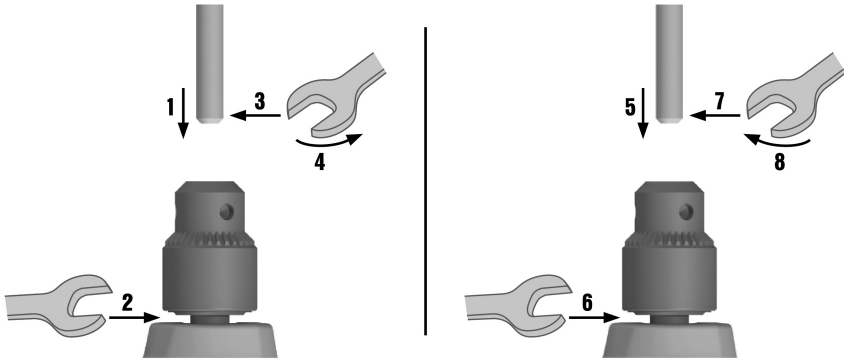
7 维修



注意

只能由经过培训并且具备相应资格的专业人员执行维护和维修工作！
低劣的维修工作会导致严重事故或设备受损。这种情况会导致制造商保修失效。
零部件因版本而异。

7.1 更换夹头



1. 您需要以下物品：

材料

夹头

2179576

开口扳手

夹头键

2167774

2. 将电钻从电源上断开。
3. 使用夹头键打开夹头。
4. 要松开夹头中的螺钉，将六角钢条插入夹头中螺钉的头部。
5. 使用夹头键关闭夹头。
6. 使用开口扳手夹住夹头下方的驱动主轴，并牢牢地握住扳手。
7. 使用正确规格的开口扳手夹住六角钢条，并朝逆时针方向转动扳手。
◀ 夹头随即松开。
8. 使用夹头键打开夹头。
9. 从夹头上取下六角钢条，并将其插入新夹头中螺钉的头部。
10. 使用夹头键关闭夹头。
11. 使用开口扳手夹住夹头下方的驱动主轴，并牢牢地握住扳手。
12. 使用正确规格的开口扳手夹住六角钢条，并朝顺时针方向转动扳手。

技术数据

扭矩 (主轴)

11 Nm ... 18 Nm
(8 ftlb_r ... 13 ftlb_r)

13. 使用夹头键打开夹头。
14. 拧紧夹头中的螺钉。

技术数据

扭矩 (夹头螺钉)

8 Nm ... 13 Nm
(6 ftlb_r ... 10 ftlb_r)

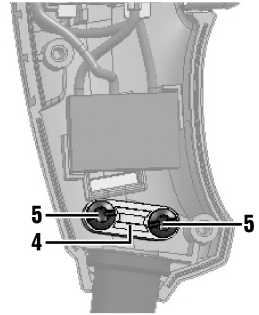
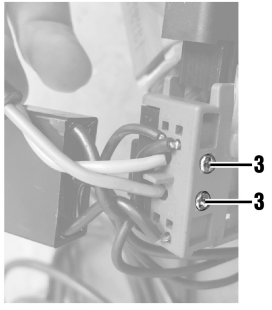
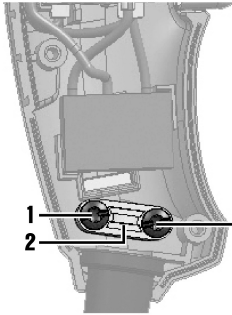
7.2 更换电源线



-危险-

人身伤害的危险！电击风险。

- ▶ 电动工具只能由经过授权和培训的人员进行操作、维护和修理。必须将任何可能的危险都特别告知该人员。



1. 您将需要以下物品：

材料

电源线
 2167712 (110 V GB)
 2167713 (230 V GB)
 2167714 (230 V CH)
 2167715 (120 V US)
 2167717 (230 V CN)
 2188143 (230 V EU)
 螺丝刀 (梅花组合式样)

2. 将电钻从电源上断开。
 3. 拧下壳体螺钉，然后拆下壳体。
 4. 拧下夹具螺钉，然后拆下夹子。
 5. 松开开关单元上的两颗螺钉，以便从开关单元上拉出两根导体。



注意
视版本而定，开关单元上连有电容器。

6. 拆下电源线。
 7. 将新电源线推入并穿过保护套管。
 8. 将柔性导体的末端插入开关单元，然后拧紧开关单元上的两处螺钉。
 ◀ 应将两根柔性导体牢牢地固定在开关单元中。
 9. 将电源线放入夹子中。
 10. 将夹具的上半部分安装在电源线上，然后拧紧夹子螺钉。

技术数据

扭矩 (夹子)	1.35 Nm ... 1.75 Nm (1.00 ftlb _f ... 1.29 ftlb _f)
---------	---



注意
小心确保电源线上的绝缘层仍露出夹子约 5 mm。

11. 将保护套管安装到壳体中提供的固定凹槽中。
 12. 将壳体放置到位，然后插入并拧紧壳体螺钉。

技术数据

扭矩 (壳体)	1.35 Nm ... 1.75 Nm (1.00 ftlb _f ... 1.29 ftlb _f)
---------	---

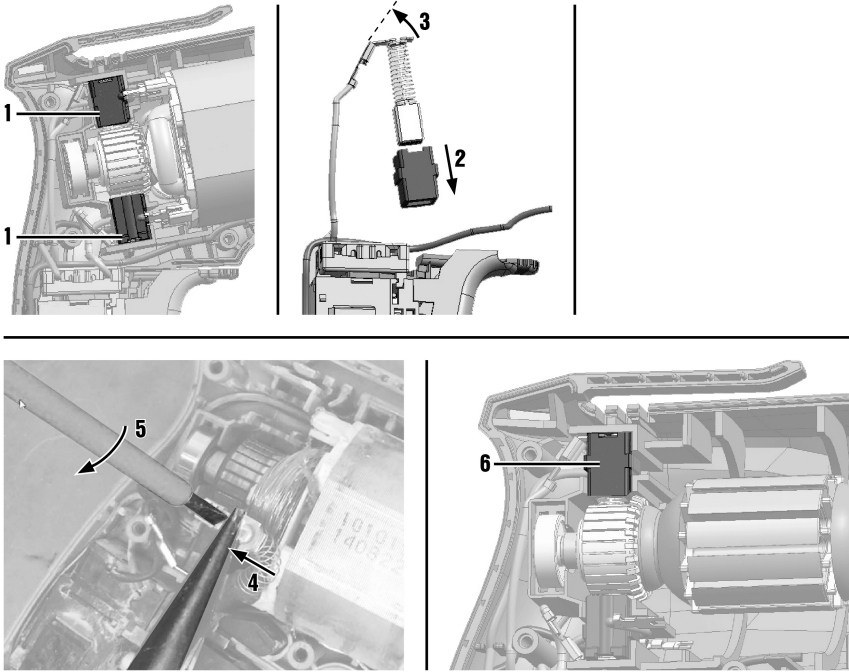
7.3 更换碳刷



-危险-

人身伤害的危险！电击风险。

- ▶ 电动工具只能由经过授权和培训的人员进行操作、维护和修理。必须将任何可能的危险都特别告知该人员。



1. 您将需要以下物品：

材料

碳刷

2167718

尖嘴钳

螺丝刀 (一字)

螺丝刀 (梅花组合式样)

2. 将电钻从电源上断开。
3. 拧下壳体螺钉，然后拆下壳体。
4. 注意钢丝和碳刷是如何安装的。
5. 从笼架上拆下顶部碳刷。
6. 从插座上断开顶部碳刷。
7. 拉直连接器。
8. 使用尖嘴钳夹住底部碳刷的连接器。
9. 将一字螺丝刀的尖端插入尖嘴钳和连接器插座之间。
10. 转动一字螺丝刀，从连接器插座中松开连接器。
11. 拆下底部碳刷。
12. 拉直连接器。

13. 将顶部连接器连接到顶部碳刷的连接器插座中。
14. 将顶部碳刷推入插座。
15. 将顶部碳刷放入顶部笼架。
16. 将底部连接器连接到底部碳刷的连接器插座中。
17. 将底部碳刷放入底部笼架。



注意

确保没有钢丝被卷入。必须按照更换前的样子安装碳刷和钢丝。

18. 将壳体放置到位，然后插入并拧紧壳体螺钉。

技术数据

扭矩 (壳体)

1.35 Nm ... 1.75 Nm
(1.00 ftlb_f ... 1.29 ftlb_f)

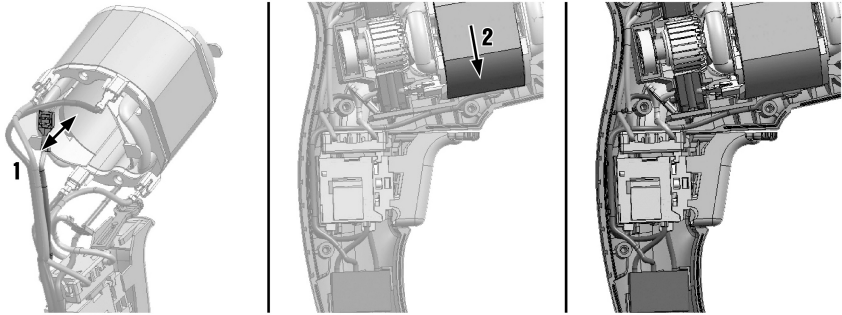
7.4 更换控制开关



-危险-

人身伤害的危险！电击风险。

- ▶ 电动工具只能由经过授权和培训的人员进行操作、维护和修理。必须将任何可能的危险都特别告知该人员。



1. 您将需要以下物品：

材料

控制开关

2167705 (230 V)

2173716 (110 V)

2197122 (120~127 V)

螺丝刀 (一字)

螺丝刀 (梅花组合式样)

2. 将电钻从电源上断开。
3. 拧下壳体螺钉，然后拆下壳体。
4. 记录下插头连接的位置。
5. 拆下电源线。→ 页码 74
6. 拆下碳刷。→ 页码 76
7. 将电机从壳体中取出。
8. 使用尖嘴钳从定子上断开 4 个连接器。
9. 将新控制开关的 4 个连接器连接到定子。
10. 将电容器上的电缆连接到定子 (参见示意图)。
11. 将电机和控制开关放入壳体。
12. 插入碳刷。

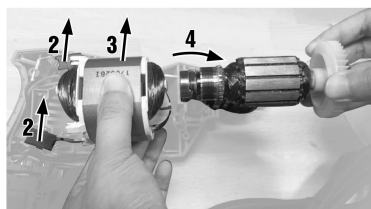
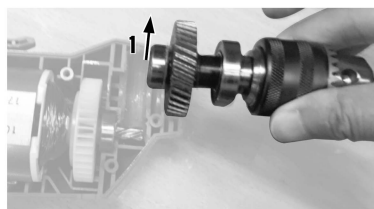
13. 安装电源线。
14. 按示意图所示放置钢丝。
15. 将壳体放置到位，然后插入并拧紧壳体螺钉。

技术数据	
扭矩 (壳体)	1.35 Nm ... 1.75 Nm (1.00 ftlb _f ... 1.29 ftlb _f)

7.5 更换转子

⚠ -危险-
人身伤害的危险！电击风险。

- ▶ 电动工具只能由经过授权和培训的人员进行操作、维护和修理。必须将任何可能的危险都特别告知该人员。



1. 您将需要以下物品：

材料
转子 2197108 (110 V) 2197109 (120-127 V) 2197120 (220-230 V) 2197121 (240 V)
螺丝刀 (一字)
螺丝刀 (梅花组合式样)

2. 将电钻从电源上断开。
3. 拧下壳体螺钉，然后拆下壳体。
4. 拆下碳刷。→ 页码 76
5. 从壳体上拆下夹头。
6. 从壳体上拆下电机。
7. 从电机上拆下转子，然后换上新转子。
8. 将电机插入壳体。
9. 将夹头插入壳体。
10. 插入碳刷。
11. 将壳体放置到位，然后插入并拧紧壳体螺钉。

技术数据	
扭矩 (壳体)	1.35 Nm ... 1.75 Nm (1.00 ftlb _f ... 1.29 ftlb _f)

8 维护和保养



-警告-

电击危险！ 在电源线连接至电源插座时执行维护和保养，会出现严重的人身伤害风险，包括烧伤。

- ▶ 执行所有维护和保养任务之前，请务必拔下电源线。

保养

- 小心地清除工具上的顽固污渍。
- 使用干燥的刷子小心清洁通风孔。
- 请仅使用略湿的布清洁壳体。不要使用含硅清洁剂，否则可能腐蚀塑料件。

维护



-警告-

电击危险！ 电气部件的不当维修会造成包括灼伤在内的严重人身伤害。


- ▶ 工具或设备的电气系统只能由受过培训的电气专业人员进行维修。

- 定期检查所有可见部件和控制器是否出现损坏迹象，确保其全部正常工作。
- 如果发现损坏迹象或如果有部件发生故障，不要操作电动工具。如果损坏，立即将产品交由 Hilti 维修中心修复。
- 清洁和维护之后，将所有护板或保护装置装回原位，检查并确认其正常工作。

9 运输和存放

- 运输电动工具时不得安装配套工具。
- 储存电动工具或设备之前，必须拔掉电源线。
- 将工具和设备存放在儿童或非授权人员无法接近的干燥位置。
- 经过长时间的运输或储存后，检查电动工具或设备是否损坏。

10 废弃处置

 大部分用于 Hilti 工具和设备生产的材料是可回收利用的。在可以回收之前，必须正确分离材料。在很多国家，您的旧工具、机器或设备可送至 Hilti 进行回收。敬请联系 Hilti 服务部门或您的喜利得公司代表获得更多信息。



- ▶ 不允许将电动工具或设备与家用垃圾一起处理。

11 中国 RoHS (有害物质限制)

单击链接跳转到有害物质表：qr.hilti.com/r7490568。

文档末尾以二维码形式提供指向 RoHS 表的链接。

12 制造商保修

- ▶ 如果您有保修条件方面的问题，请联系您当地的 Hilti 公司代表。



Hilti Aktiengesellschaft
Feldkircherstraße 100
9494 Schaan | Liechtenstein

UD 4 (01)

[2017]

2006/42/EC

EN ISO 12100

2011/65/EU

EN 60745- 1

2014/30/EU

EN 60745-2-1

Schaan, 2017-06-12

Paolo Luccini

Head of BA Quality and
Process-Management
BA Electric Tools & Accessories

Tassilo Deinzer

Executive Vice President
BU Electric Tools & Accessories





Hilti Corporation
LI-9494 Schaan
Tel.: +423 234 21 11
Fax: +423 234 29 65
www.hilti.group

Hilti = registered trademark of Hilti Corp., Schaan



2180561

Pos. 2 | 20171201